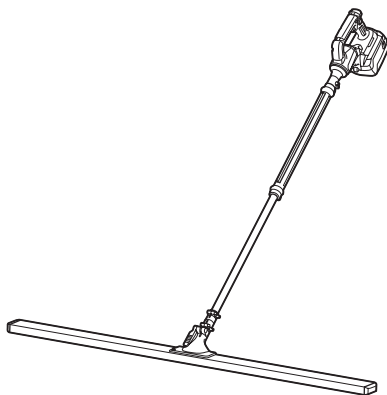


INSTRUCTION MANUAL



Cordless Screed VL001G



Read before use.

SPECIFICATIONS

Model:	VL001G
Vibrations per minute	11,000 min ⁻¹
Overall length (with battery case L and without screed blade)	1,501 mm
Rated voltage	D.C. 36 V - 40 V max
Net weight	5.0 - 7.2 kg

- Due to our continuing program of research and development, the specifications herein are subject to change without notice.
- Specifications may differ from country to country.
- The net weight value includes the lightest and heaviest combination of the attachment(s) for normal and safe use and battery cartridge(s) which are specified in the instruction manual.

Applicable battery cartridge and charger

Battery cartridge	BL4020 / BL4025 / BL4040 / BL4040F / BL4050F / BL4080F / BL4080H
Charger	DC40RA / DC40RB / DC40RC / DC40WA / BCC01 / BCC02

- Some of the battery cartridges and chargers listed above may not be available depending on your region of residence.

⚠ WARNING: Only use the battery cartridges and chargers listed above. Use of any other battery cartridges and chargers may cause injury and/or fire.






Applicable cord connected power source

Portable power pack	PDC01 / PDC1200 / PDC1500
---------------------	---------------------------

- The cord connected power source(s) listed above may not be available depending on your region of residence.
- Before using the cord connected power source, read instruction and cautionary markings on them.

Symbols

The followings show the symbols which may be used for the equipment. Be sure that you understand their meaning before use.

	Read instruction manual.
	Do not use the tool in the rain.
	Do not clean the tool with water.
	Do not operate the lever with your foot.
	Do not operate the tool separately from the concrete.



Only for EU countries
Due to the presence of hazardous components in the equipment, waste electrical and electronic equipment, accumulators and batteries may have a negative impact on the environment and human health. Do not dispose of electrical and electronic appliances or batteries with household waste! In accordance with the European Directive on waste electrical and electronic equipment and on accumulators and batteries and waste accumulators and batteries, as well as their adaptation to national law, waste electrical equipment, batteries and accumulators should be stored separately and delivered to a separate collection point for municipal waste, operating in accordance with the regulations on environmental protection. This is indicated by the symbol of the crossed-out wheeled bin placed on the equipment.

Intended use

The tool is intended for fine leveling concrete when casting concrete.

Noise

The typical A-weighted noise level determined according to ENIEC62841-1:

Sound pressure level (L_{pA}) : 85 dB (A)

Sound power level (L_{WA}) : 91 dB (A)

Uncertainty (K) : 3 dB (A)

NOTE: The declared noise emission value(s) has been measured in accordance with a standard test method and may be used for comparing one tool with another.

NOTE: The declared noise emission value(s) can also be used in a preliminary assessment of exposure.

⚠WARNING: Wear ear protection.

⚠WARNING: The noise emission during actual use of the power tool can differ from the declared total value(s) depending on the ways in which the tool is used.

⚠WARNING: Be sure to identify safety measures to protect the operator that are based on an estimation of exposure in the actual conditions of use (taking account of all parts of the operating cycle such as the times when the tool is switched off and when it is running idle in addition to the trigger time).

Vibration

The continuous vibration total value (tri-axial vector sum) determined according to ENIEC62841-1:
Vibration emission (a_n) : 8.6 m/s²
Uncertainty (K) : 1.5 m/s²

NOTE: The declared vibration total value(s) has been measured in accordance with a standard test method and may be used for comparing one tool with another.

NOTE: The declared vibration total value(s) can also be used in a preliminary assessment of exposure.

⚠WARNING: The vibration emission during actual use of the power tool can differ from the declared total value(s) depending on the ways in which the tool is used.

⚠WARNING: Be sure to identify safety measures to protect the operator that are based on an estimation of exposure in the actual conditions of use (taking account of all parts of the operating cycle such as the times when the tool is switched off and when it is running idle in addition to the trigger time).

The following shows the mean values of the peak amplitude of the acceleration from repeated shock vibrations, p_F , with corresponding uncertainty (K) determined according to ENIEC62841-1.
 p_F : 174 m/s²
Uncertainty (K) : 27 m/s²

NOTE: These declared values should not be used to determine hand arm vibration exposure.

Declarations of Conformity

For European countries only

The EU/UK Declaration of Conformity can be accessed from the following URL.



https://support.makita.biz/doc/doc_index.html

SAFETY WARNINGS

General power tool safety warnings

⚠WARNING Read all safety warnings, instructions, illustrations and specifications provided with this power tool. Failure to follow all instructions listed below may result in electric shock, fire and/or serious injury.

Save all warnings and instructions for future reference.

The term "power tool" in the warnings refers to your mains-operated (corded) power tool or battery-operated (cordless) power tool.

Work area safety

1. **Keep work area clean and well lit.** Cluttered or dark areas invite accidents.
2. **Do not operate power tools in explosive atmospheres, such as in the presence of flammable liquids, gases or dust.** Power tools create sparks which may ignite the dust or fumes.
3. **Keep children and bystanders away while operating a power tool.** Distractions can cause you to lose control.

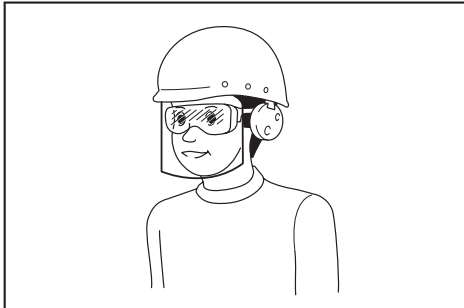
Electrical safety

1. **Power tool plugs must match the outlet. Never modify the plug in any way. Do not use any adapter plugs with earthed (grounded) power tools.** Unmodified plugs and matching outlets will reduce risk of electric shock.
2. **Avoid body contact with earthed or grounded surfaces, such as pipes, radiators, ranges and refrigerators.** There is an increased risk of electric shock if your body is earthed or grounded.
3. **Do not expose power tools to rain or wet conditions.** Water entering a power tool will increase the risk of electric shock.
4. **Do not abuse the cord. Never use the cord for carrying, pulling or unplugging the power tool. Keep cord away from heat, oil, sharp edges or moving parts.** Damaged or entangled cords increase the risk of electric shock.
5. **When operating a power tool outdoors, use an extension cord suitable for outdoor use.** Use of a cord suitable for outdoor use reduces the risk of electric shock.

6. If operating a power tool in a damp location is unavoidable, use a residual current device (RCD) protected supply. Use of an RCD reduces the risk of electric shock.
7. Power tools can produce electromagnetic fields (EMF) that are not harmful to the user. However, users of pacemakers and other similar medical devices should contact the maker of their device and/or doctor for advice before operating this power tool.

Personal safety

1. **Stay alert, watch what you are doing and use common sense when operating a power tool. Do not use a power tool while you are tired or under the influence of drugs, alcohol or medication.** A moment of inattention while operating power tools may result in serious personal injury.
2. **Use personal protective equipment. Always wear eye protection.** Protective equipment such as a dust mask, non-skid safety shoes, hard hat or hearing protection used for appropriate conditions will reduce personal injuries.
3. **Prevent unintentional starting. Ensure the switch is in the off-position before connecting to power source and/or battery pack, picking up or carrying the tool.** Carrying power tools with your finger on the switch or energising power tools that have the switch on invites accidents.
4. **Remove any adjusting key or wrench before turning the power tool on.** A wrench or a key left attached to a rotating part of the power tool may result in personal injury.
5. **Do not overreach. Keep proper footing and balance at all times.** This enables better control of the power tool in unexpected situations.
6. **Dress properly. Do not wear loose clothing or jewellery. Keep your hair and clothing away from moving parts.** Loose clothes, jewellery or long hair can be caught in moving parts.
7. **If devices are provided for the connection of dust extraction and collection facilities, ensure these are connected and properly used.** Use of dust collection can reduce dust-related hazards.
8. **Do not let familiarity gained from frequent use of tools allow you to become complacent and ignore tool safety principles.** A careless action can cause severe injury within a fraction of a second.
9. **Always wear protective goggles to protect your eyes from injury when using power tools. The goggles must comply with ANSI Z87.1 in the USA, EN 166 in Europe, or AS/NZS 1336 in Australia/New Zealand. In Australia/New Zealand, it is legally required to wear a face shield to protect your face, too.**



It is an employer's responsibility to enforce the use of appropriate safety protective equipments by the tool operators and by other persons in the immediate working area.

Power tool use and care

1. **Do not force the power tool. Use the correct power tool for your application.** The correct power tool will do the job better and safer at the rate for which it was designed.
2. **Do not use the power tool if the switch does not turn it on and off.** Any power tool that cannot be controlled with the switch is dangerous and must be repaired.
3. **Disconnect the plug from the power source and/or remove the battery pack, if detachable, from the power tool before making any adjustments, changing accessories, or storing power tools.** Such preventive safety measures reduce the risk of starting the power tool accidentally.
4. **Store idle power tools out of the reach of children and do not allow persons unfamiliar with the power tool or these instructions to operate the power tool.** Power tools are dangerous in the hands of untrained users.
5. **Maintain power tools and accessories. Check for misalignment or binding of moving parts, breakage of parts and any other condition that may affect the power tool's operation. If damaged, have the power tool repaired before use.** Many accidents are caused by poorly maintained power tools.
6. **Keep cutting tools sharp and clean.** Properly maintained cutting tools with sharp cutting edges are less likely to bind and are easier to control.
7. **Use the power tool, accessories and tool bits etc. in accordance with these instructions, taking into account the working conditions and the work to be performed.** Use of the power tool for operations different from those intended could result in a hazardous situation.
8. **Keep handles and grasping surfaces dry, clean and free from oil and grease.** Slippery handles and grasping surfaces do not allow for safe handling and control of the tool in unexpected situations.
9. **When using the tool, do not wear cloth work gloves which may be entangled.** The entanglement of cloth work gloves in the moving parts may result in personal injury.

Battery tool use and care

1. **Recharge only with the charger specified by the manufacturer.** A charger that is suitable for one type of battery pack may create a risk of fire when used with another battery pack.
2. **Use power tools only with specifically designated battery packs.** Use of any other battery packs may create a risk of injury and fire.
3. **When battery pack is not in use, keep it away from other metal objects, like paper clips, coins, keys, nails, screws or other small metal objects, that can make a connection from one terminal to another.** Shorting the battery terminals together may cause burns or a fire.

4. **Under abusive conditions, liquid may be ejected from the battery; avoid contact. If contact accidentally occurs, flush with water. If liquid contacts eyes, additionally seek medical help.** Liquid ejected from the battery may cause irritation or burns.
5. **Do not use a battery pack or tool that is damaged or modified.** Damaged or modified batteries may exhibit unpredictable behaviour resulting in fire, explosion or risk of injury.
6. **Do not expose a battery pack or tool to fire or excessive temperature.** Exposure to fire or temperature above 130 °C may cause explosion.
7. **Follow all charging instructions and do not charge the battery pack or tool outside the temperature range specified in the instructions.** Charging improperly or at temperatures outside the specified range may damage the battery and increase the risk of fire.

Service

1. **Have your power tool serviced by a qualified repair person using only identical replacement parts.** This will ensure that the safety of the power tool is maintained.
2. **Never service damaged battery packs.** Service of battery packs should only be performed by the manufacturer or authorized service providers.
3. **Follow instruction for lubricating and changing accessories.**

Cordless screed safety warnings

1. **Always keep your hands and face away from the vibrating head when operating.**
2. **Switch off the tool immediately if you notice abnormal noise or something faulty during operation.**
3. **Pay sufficient attention to your surroundings when carrying and working with the tool.**
4. **Store the product in a stable location when not in use.**
5. **Inspect the tool carefully for breakage, cracks or deformation if you accidentally drop it or strike it against something.**
6. **Do not carry the tool with your finger on switch.**
7. **Do not set the tool down and switch it on. The vibrating head may whip around out of control and cause an accident.**
8. **Be careful not to allow water, wet concrete or the like to get into the tool. Do not let the tool fall into wet concrete.**
9. **Use a wet cloth or the like to carefully wipe off any wet concrete left on the tool after use. Extra care should be given to thorough cleaning of the vents, switch area, cover openings, etc.**
10. **Do not use the tool in the rain. Do not clean the tool in water.**
11. **After operating the tool, switch off the tool and wait until the vibration stops completely before putting down the tool.**
12. **After operating the tool, do not touch the vibrating part as it may be extremely hot and could burn your skin.**

13. **Do not operate the tool separate from the concrete.**
14. **Do not operate the lever with your foot.**

SAVE THESE INSTRUCTIONS.

⚠WARNING: DO NOT let comfort or familiarity with product (gained from repeated use) replace strict adherence to safety rules for the subject product. MISUSE or failure to follow the safety rules stated in this instruction manual may cause serious personal injury.

Important safety instructions for battery cartridge

1. **Before using battery cartridge, read all instructions and cautionary markings on (1) battery charger, (2) battery, and (3) product using battery.**
2. **Do not disassemble or tamper with the battery cartridge.** It may result in a fire, excessive heat, or explosion.
3. **If operating time has become excessively shorter, stop operating immediately. It may result in a risk of overheating, possible burns and even an explosion.**
4. **If electrolyte gets into your eyes, rinse them out with clear water and seek medical attention right away. It may result in loss of your eyesight.**
5. **Do not short the battery cartridge:**
 - (1) **Do not touch the terminals with any conductive material.**
 - (2) **Avoid storing battery cartridge in a container with other metal objects such as nails, coins, etc.**
 - (3) **Do not expose battery cartridge to water or rain.**

A battery short can cause a large current flow, overheating, possible burns and even a breakdown.
6. **Do not store and use the tool and battery cartridge in locations where the temperature may reach or exceed 50 °C (122 °F).**
7. **Do not incinerate the battery cartridge even if it is severely damaged or is completely worn out. The battery cartridge can explode in a fire.**
8. **Do not nail, cut, crush, throw, drop the battery cartridge, or hit against a hard object to the battery cartridge.** Such conduct may result in a fire, excessive heat, or explosion.
9. **Do not use a damaged battery.**
10. **The contained lithium-ion batteries are subject to the Dangerous Goods Legislation requirements.**

For commercial transports e.g. by third parties, forwarding agents, special requirement on packaging and labeling must be observed. For preparation of the item being shipped, consulting an expert for hazardous material is required. Please also observe possibly more detailed national regulations. Tape or mask off open contacts and pack up the battery in such a manner that it cannot move

around in the packaging.

11. **When disposing of the battery cartridge, remove it from the tool and dispose of it in a safe place. Follow your local regulations relating to disposal of battery.**
12. **Use the batteries only with the products specified by Makita.** Installing the batteries to non-compliant products may result in a fire, excessive heat, explosion, or leak of electrolyte.
13. **If the tool is not used for a long period of time, the battery must be removed from the tool.**
14. **During and after use, the battery cartridge may take on heat which can cause burns or low temperature burns. Pay attention to the handling of hot battery cartridges.**
15. **Do not touch the terminal of the tool immediately after use as it may get hot enough to cause burns.**
16. **Do not allow chips, dust, or soil stuck into the terminals, holes, and grooves of the battery cartridge.** It may cause heating, catching fire, burst and malfunction of the tool or battery cartridge, resulting in burns or personal injury.
17. **Unless the tool supports the use near high-voltage electrical power lines, do not use the battery cartridge near high-voltage electrical power lines.** It may result in a malfunction or breakdown of the tool or battery cartridge.
18. **Keep the battery away from children.**

SAVE THESE INSTRUCTIONS.

CAUTION: Only use genuine Makita batteries. Use of non-genuine Makita batteries, or batteries that have been altered, may result in the battery bursting causing fires, personal injury and damage. It will also void the Makita warranty for the Makita tool and charger.

NOTICE: Makita is not responsible for any accidents resulting from the use of non-genuine Makita batteries or batteries that have been modified. Genuine Makita batteries have been rigorously evaluated for compatibility with Makita tools and chargers, in line with applicable legislation and safety standards.

Tips for maintaining maximum battery life

1. **Charge the battery cartridge before completely discharged. Always stop tool operation and charge the battery cartridge when you notice less tool power.**
2. **Never recharge a fully charged battery cartridge. Overcharging shortens the battery service life.**
3. **Charge the battery cartridge with room temperature at 10 °C - 40 °C (50 °F - 104 °F). Let a hot battery cartridge cool down before charging it.**
4. **When not using the battery cartridge, remove it from the tool or the charger.**
5. **Charge the battery cartridge if you do not use it for a long period (more than six months).**

FUNCTIONAL DESCRIPTION

CAUTION: Always be sure that the tool is switched off and the battery cartridge is removed before adjusting or checking function on the tool.

Replacing battery case

Optional accessory

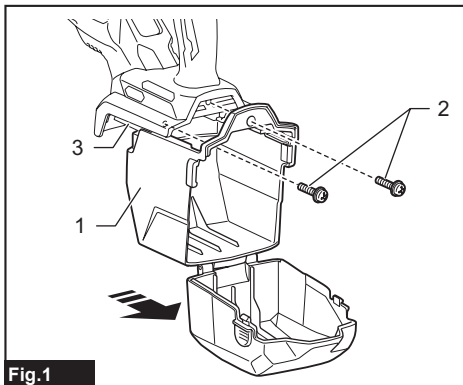


Fig. 1

- 1. Standard equipped battery case 2. Screws
3. Housing

1. Open the standard equipped battery case while pressing the buttons on the sides of the case.
2. Remove the screws securing the standard equipped battery case, and slide the battery case off along the housing.
3. Slide an optional battery case into the tool. Open the case while pressing the buttons on the sides of the case. Then tighten the screws to secure it in place.

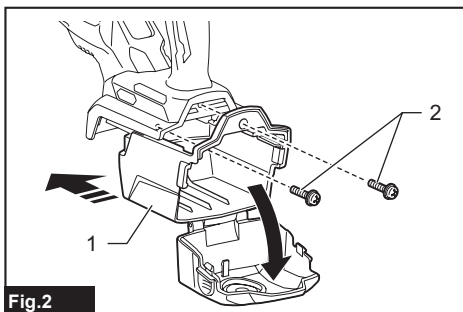


Fig. 2

- 1. Optional battery case 2. Screws
4. Close the battery case securely.

Installing or removing battery cartridge

⚠ CAUTION: Before installing the battery cartridge into the tool, always make sure that the switch trigger actuates properly and returns to the "OFF" position by fully pulling and releasing it.

⚠ CAUTION: Hold the tool and the battery cartridge firmly when installing or removing battery cartridge. Failure to hold the tool and the battery cartridge firmly may cause them to slip off your hands and result in damage to the tool and battery cartridge and a personal injury.

⚠ CAUTION: Always install the battery cartridge fully until the red indicator cannot be seen. If not, it may accidentally fall out of the tool, causing injury to you or someone around you.

⚠ CAUTION: Do not install the battery cartridge forcibly. If the cartridge does not slide in easily, it is not being inserted correctly.

⚠ CAUTION: Take care not to trap your fingers between the battery case and its front cover while installing and removing battery cartridge.

Installation

1. Open the battery case while pressing the buttons on the sides of the battery case.

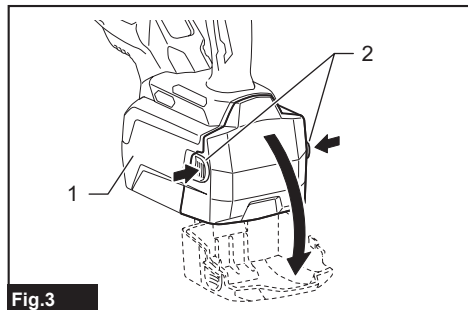


Fig.3

- 1. Battery case 2. Buttons

2. Insert a battery cartridge in place aligning its tongue with the groove on the tool. If you can see the red indicator as shown in the figure, it is not locked completely.

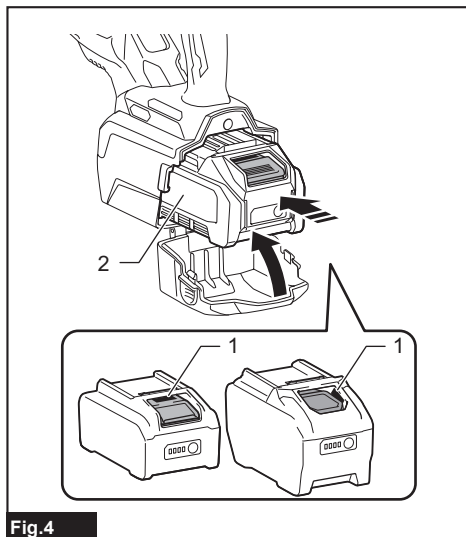


Fig.4

- 1. Red indicator 2. Battery cartridge

3. Close the battery case securely.

Uninstallation

1. Open the battery case while pressing the buttons on the sides of the battery case.
2. Slide the battery cartridge off from the tool while pressing the button on the front of the battery cartridge.

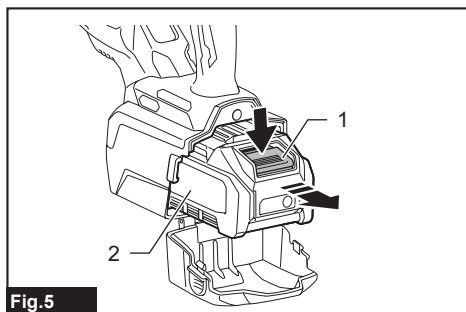


Fig.5

- 1. Button 2. Battery cartridge

3. Close the battery case securely.

For a cord connected power source

Optional accessory

Replace the standard equipped battery case with optional battery case H before installation.

Installation

1. Open the battery case while pressing the buttons on the sides of the battery case.
2. Insert a battery adapter in place aligning its tongue with the groove on the tool. If you can see the red indicator as shown in the figure, it is not locked completely.

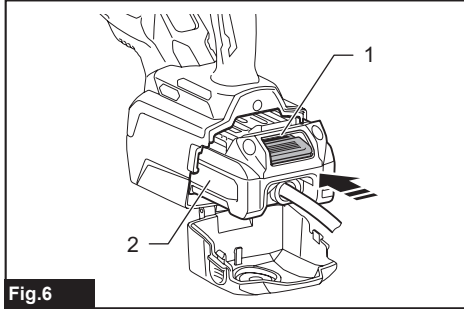


Fig.6

- 1. Red indicator 2. Battery adapter

3. Open the rubber sealing grommet in the battery case.

Make sure to squeeze the rubber sealing grommet out of the round hole rim from inside the front cover of the case.

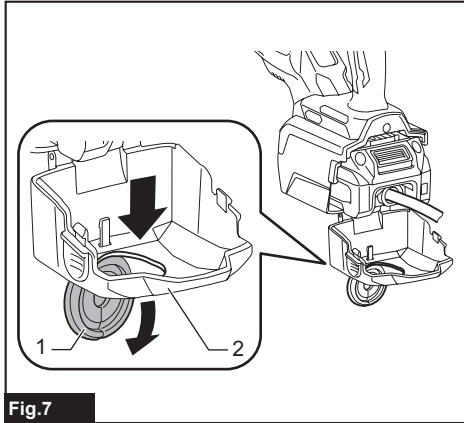


Fig.7

- 1. Rubber sealing grommet 2. Front cover

4. Pass the adapter plug and plug cord through the round hole in the battery case.

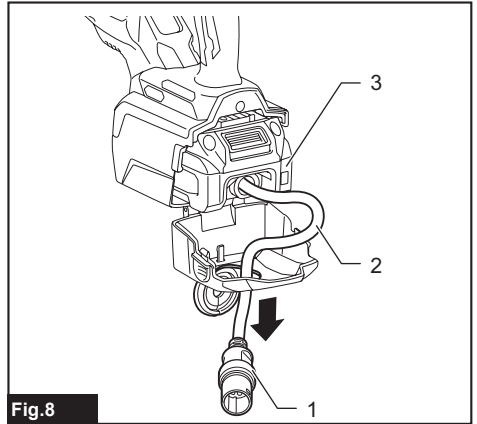


Fig.8

- 1. Adapter plug 2. Plug cord 3. Battery adapter

5. Close the battery case securely.
6. Place the rubber sealing grommet back in place.

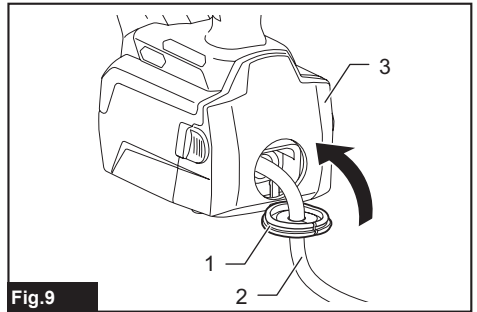


Fig.9

- 1. Rubber sealing grommet 2. Plug cord 3. Battery case

Uninstallation

1. Open the battery case while pressing the buttons on the sides of the battery case.
2. Open the rubber sealing grommet in the battery case.

Make sure to squeeze the rubber sealing grommet out of the round hole rim from inside the front cover of the case.

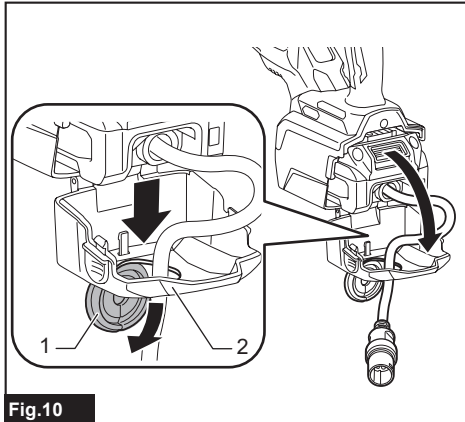


Fig.10

- 1. Rubber sealing grommet 2. Front cover

3. Pull the adapter plug and plug cord out through the round hole in the battery case.
4. Slide the battery adapter off from the tool while pressing the button on the front of the battery adapter.
5. Close the battery case securely.

Indicating the remaining battery capacity

With the machine

When the remaining battery capacity gets low, the indicator lamp blinks in red. By further use, the machine stops and the indicator lamp lights up in red. In this situation, charge the battery cartridge.

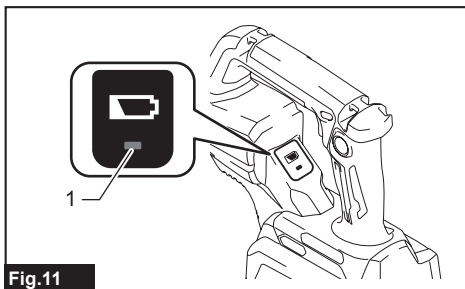


Fig.11

- 1. Indicator lamp

With the battery cartridge

Press the check button on the battery cartridge to indicate the remaining battery capacity. The indicator lamps light up for a few seconds.

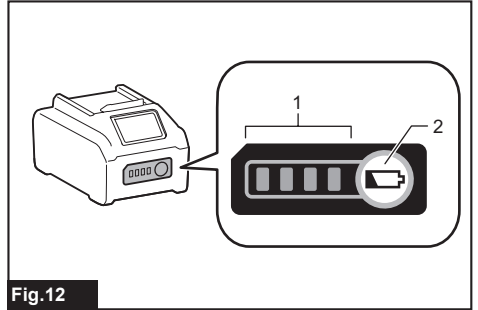


Fig.12

- 1. Indicator lamps 2. Check button

Indicator lamps			Remaining capacity
Lighted	Off	Blinking	
			75% to 100%
			50% to 75%
			25% to 50%
			0% to 25%
			Charge the battery.
			The battery may have malfunctioned.

NOTE: Depending on the conditions of use and the ambient temperature, the indication may differ slightly from the actual capacity.

NOTE: The first (far left) indicator lamp will blink when the battery protection system works.

Tool / battery protection system

The tool is equipped with a tool/battery protection system. This system automatically cuts off power to the motor to extend tool and battery life. The tool will automatically stop during operation if the tool or battery is placed under one of the following conditions:

Overload protection

When the tool or battery is operated in a manner that causes it to draw an abnormally high current, the tool stops automatically. In this situation, turn the tool off and stop the application that caused the tool to become overloaded. Then turn the tool on to restart.

NOTE: If the tool does not restart smoothly, cease operation for a period longer than one minute, or remove the battery cartridge from the tool and place it back in the tool before a restart.

Overheat protection

When the tool or battery is overheated, the tool stops automatically. In this case, let the tool and battery cool before turning the tool on again.

Overdischarge protection

When the battery capacity is not enough, the tool stops automatically and the indicator lamp on the machine lights up in red. In this case, remove the battery from the tool and charge the battery cartridges or change the battery cartridges to fully charged ones.

Protections against other causes

The protection system is also designed for other causes that could damage the tool and allows the tool to stop automatically. Take all the following steps to clear the causes when the tool has been brought to a temporary halt or stop in operation.

1. Make sure that all switch(es) is/are in the off position, and then turn the tool on again to restart.
2. Charge the battery(ies) or replace it/them with recharged battery(ies).
3. Let the tool and battery(ies) cool down.


If no improvement can be found by restoring the protection system, then contact your local Makita Service Center.




Switch action

CAUTION: Before installing the battery cartridge into the tool, always make sure that the switch trigger actuates properly and returns to the "OFF" position by fully pulling and releasing it.

CAUTION: The switch can be locked in the "ON" position to reduce operator fatigue during extended use. Apply caution when locking the tool in the "ON" position and maintain a firm grasp on the tool.

CAUTION: Do not install the battery cartridge with the lock button engaged.

CAUTION: When not operating the tool, depress the trigger-lock button from the  side to lock the switch trigger in the OFF position.

To prevent the switch trigger from accidentally being pulled, the trigger-lock button is provided. To start the tool, depress the trigger-lock button from the A  side of the tool, depress the trigger-lock button from the B  side of the tool, and pull the switch trigger. Release the switch trigger to stop. After use, depress the trigger-lock button from the B  side.

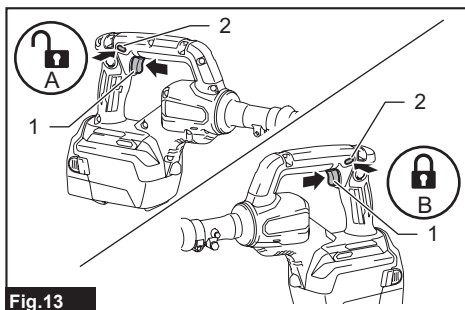


Fig.13

- 1. Switch trigger 2. Trigger-lock button

For continuous operation, depress the lock button while pulling the switch trigger, and then release the switch trigger. To stop the tool, pull the switch trigger fully, then release it.

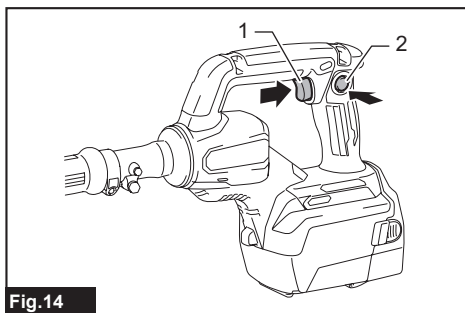


Fig.14

- 1. Switch trigger 2. Lock button

Accidental restart preventive function

If you install the battery cartridge while pulling the switch trigger, the tool does not start.

To start the tool, release the switch trigger, and then pull the switch trigger again.

When the lock button is engaged, pull the switch trigger fully and release it to disengage the lock. Then pull the switch trigger again.

Electronic function

The tool is equipped with the following electronic function for easy operation.

Constant speed control

Possible to perform a stable operation, because the speed (frequency) of vibrations is kept constant even under the loaded condition.

ASSEMBLY

⚠ CAUTION: Always be sure that the tool is switched off and the battery cartridge is removed before carrying out any work on the tool.

Installing and removing screed blade

Optional accessory

Installation

1. Turn the lever toward the tool.

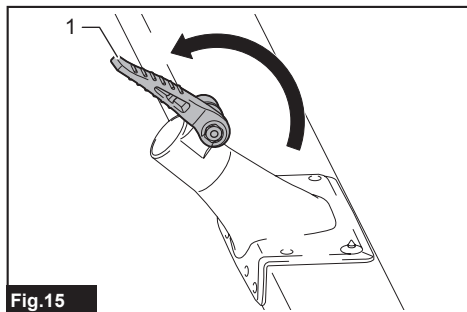


Fig.15

- 1. Lever

2. Fully insert the pipe into the screed blade.

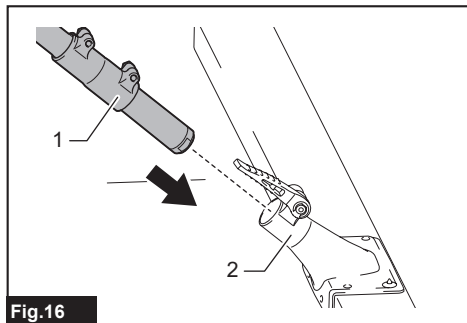


Fig.16

- 1. Pipe 2. Screed blade

Securely install the pipe so that there is no space between the pipe and screed blade.

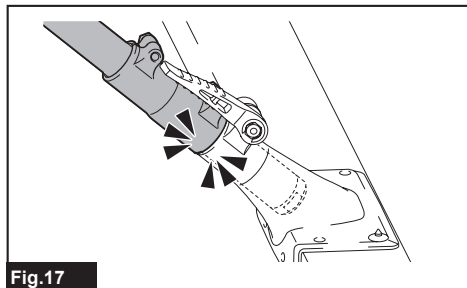


Fig.17

3. Turn the lever toward the screed blade.

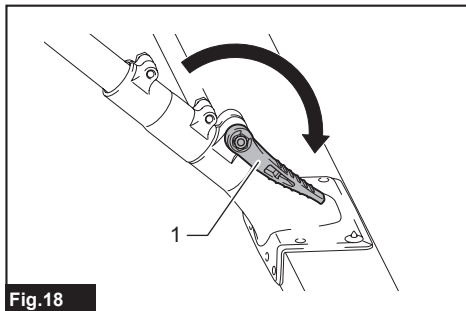


Fig.18

- 1. Lever

Uninstallation

Follow the installation steps in reverse order.

NOTICE: Do not operate the lever with your foot.

OPERATION

⚠ CAUTION: During operation, keep the screed blade from contacting the formwork.

⚠ CAUTION: Do not apply excessive force on the pipe.

⚠ CAUTION: Do not use the tool with the screed blade misaligned.

⚠ CAUTION: Pay clear attention in the direction you are moving.

Hold the tool firmly.

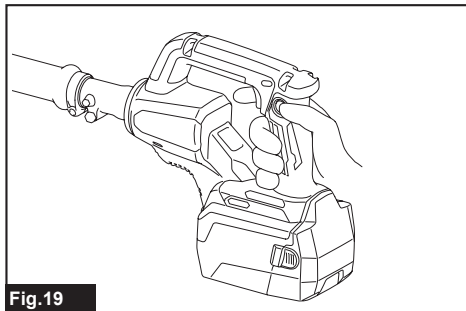


Fig.19

1. Place the screed blade at the work starting position.
2. Switch the tool on.
3. Proceed by gently pulling the screed blade backward.

4. After finishing the row you are working on, place the screed blade at the starting position for the next row. At this time, position the screed blade so that it overlaps the surface of the finished row by approximately 15 cm to 30 cm (5-7/8 " to 11-3/4 ").

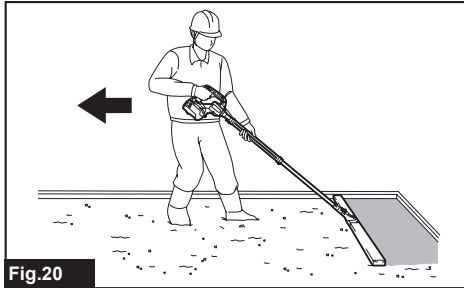


Fig.20

NOTE: Before using this product, roughly level the work area with a leveling rake.

- Screed blade (900 / 1400 / 1800)
- Battery case
- Makita genuine battery and charger

NOTE: Some items in the list may be included in the tool package as standard accessories. They may differ from country to country.

MAINTENANCE

CAUTION: Always be sure that the tool is switched off and the battery cartridge is removed before attempting to perform inspection or maintenance.

NOTICE: Never use gasoline, benzine, thinner, alcohol or the like. Discoloration, deformation or cracks may result.

NOTICE: Avoid cleaning the tool in water. Water will get into the motor housing and cause motor failure.

NOTICE: Use a wet cloth or the like to carefully wipe off any wet concrete left on the tool after use. Extra care should be given to thorough cleaning of the vents, switch area, cover openings, etc.

To maintain product SAFETY and RELIABILITY, repairs and any other maintenance or adjustment should be performed by Makita Authorized or Factory Service Centers, always using Makita replacement parts.

OPTIONAL ACCESSORIES

CAUTION: These accessories or attachments are recommended for use with your Makita tool specified in this manual. The use of any other accessories or attachments might present a risk of injury to persons. Only use accessory or attachment for its stated purpose.

If you need any assistance for more details regarding these accessories, ask your local Makita Service Center.

Makita Europe N.V.

Jan-Baptist Vinkstraat 2, 3070 Kortenberg, Belgium

Makita Corporation

3-11-8, Sumiyoshi-cho, Anjo, Aichi 446-8502 Japan

www.makita.com



885B54-224
EN
20251218