



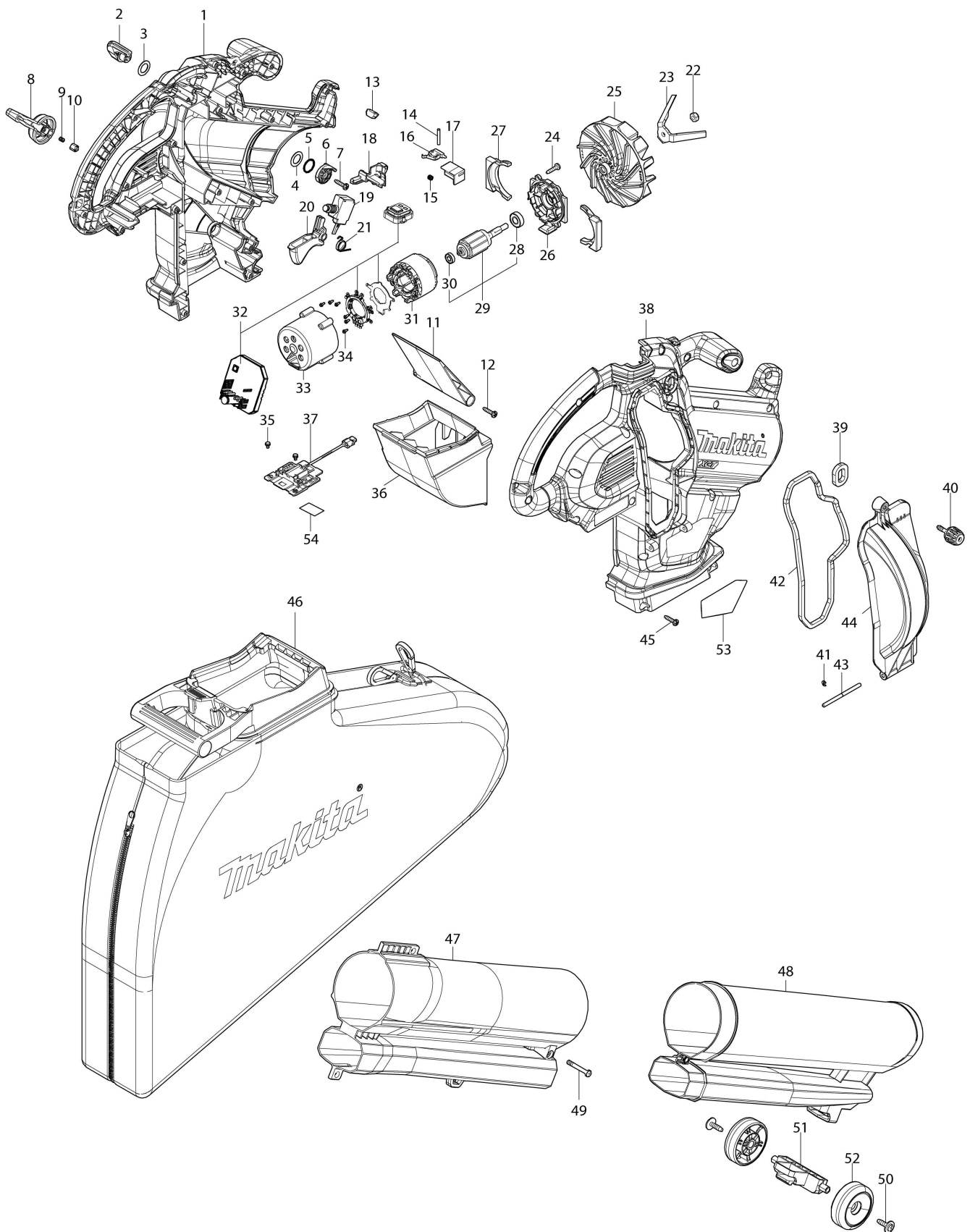
# Diagram / Parts List

**UB005G**

**Cordless Blower Vacuum**



(IN) UB005G / Cordless Blower Vacuum



<b>IN</b>	<b>INDIA</b>
-----------	--------------

## UB005G / Cordless Blower Vacuum

Item	Sub	Parts No.	Parts Description	Qty	I/C	E/C No.	Close No.	Remark
001		1832D3-0	HOUSING SET	1				
	C10	263005-3	Rubber pin 6	2				
	C20	8098M4-6	CAUTION LABEL	1				
	D10		INC. 38					
002		4134V1-1	Control lever	1				
003		253575-0	Flat washer 13	1				
004		253798-0	Flat washer 13	1				
005		213154-6	O-ring 14	1				
006		412754-1	Link	1				
007		266326-2	Binding head tapping screw 4X18	1				
008		4134V3-7	Change lever	1				
009		234244-2	Compression spring 3	1				
010		4134V5-3	Lock pin	1				
011		4134V4-5	Separator	1				
012		266326-2	Binding head tapping screw 4X18	1				
013		620T39-3	LED circuit	1				
014		256221-4	Pin 3	1				
015		233118-4	Compression spring 4	1				
016		632P71-1	Switch unit	1				
017		4134U9-8	Pusher	1				
018		4134V2-9	Guide	1				
019		650085-2	Switch C3JR-1AV-PAXD3-3	1				
020		4134V0-3	Switch lever	1				
021		232984-6	Torsion spring 12	1				
022		252190-7	Hex. lock nut M6-10	1				
023		347E77-7	Shredder	1				
024		266326-2	Binding head tapping screw 4X18	4				
025		240268-8	Pin 6	1				
026		4134U7-2	Motor housing cover	1				
027		422D24-4	Rubber	2				
028		210040-2	Ball bearing 698LLU	1				
029		519943-0	ROTOR ASS'Y	1				
	D10		INC. 28,30					
030		210215-3	Ball bearing 695ZZ	1				
031		629D68-7	Stator	1				
032		620T38-5	Controller	1				
033		4134U6-4	Motor housing	1				
034		652119-7	Pan head screw M2X6	6				
035		652031-1	Pan head screw M3X6	2				
036		4134W4-2	Duct	1				
037		632V23-8	Terminal unit	1				
038		1832D3-0	HOUSING SET	1				
	C10	263005-3	Rubber pin 6	2				
	C20	8098M4-6	CAUTION LABEL	1				
	D10		INC. 1					
039		422D17-1	Seal B	1				
040		265E88-9	Thumb screw M5X20	1				
041		961017-7	Stop ring (EXT) E-3	1				
042		422D23-6	Seal A	1				
043		327G38-5	Rod 4	1				
044		4134U8-0	Fan cover	1				
045		266326-2	Binding head tapping screw 4X18	20				
046		162E41-5	Dust bag complete	1				
047		4134W2-6	Upper nozzle	1				
048		4134W3-4	Lower nozzle	1				
049		265E89-7	Pan head screw M5X35	1				
050		265C05-7	Flange tapping screw 5X20	2				
051		4134V6-1	Wheel bracket	1				
052		4134V7-9	Wheel 60	2				
053		8154V3-7	UB005G NAME PLATE	1				
054		8154V4-5	UB005G SERIAL NO. LABEL	1				
A01		122J43-3	Band assembly	1				
A02		1918B8-8	Wide nozzle set	1				
F01		1917G3-7	Harness cover set	1				
F02		1918B8-8	Wide nozzle set	1				

Interchange  
O : Yes  
X : No  
< : the new part can be substituted for the current.  
> : the current part can be substituted for the new.  
S : Interchangeable as a set.

