



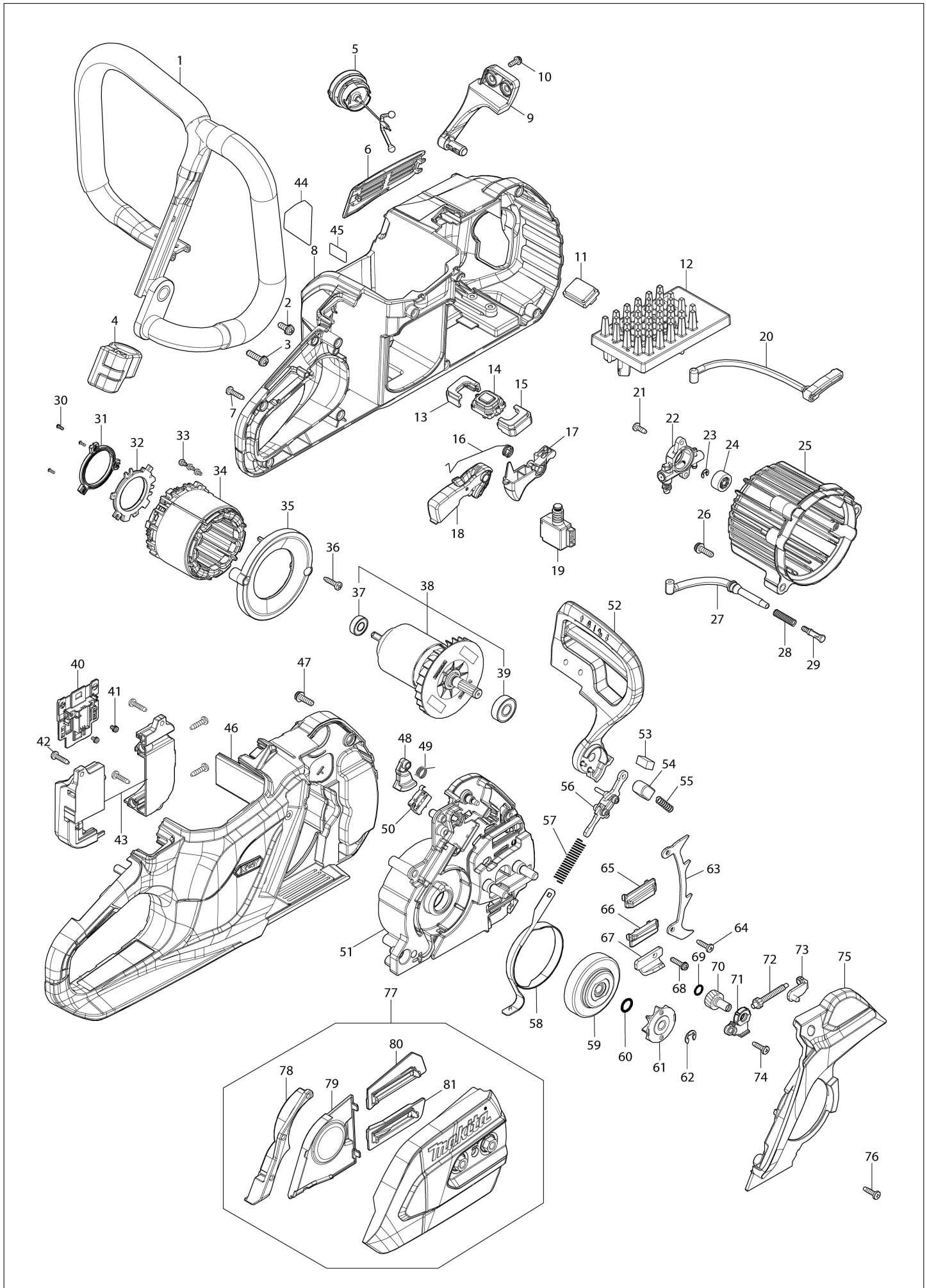
Diagram / Parts List

UC033G

Cordless Chain Saw



(IN) UC033G / Cordless Chain Saw



IN	INDIA
-----------	--------------

UC033G / Cordless Chain Saw

Item	Sub	Parts No.	Parts Description	Qty	I/C	E/C No.	Close No.	Remark
001		327G77-5	Front handle	1				
002		911218-7	Pan head screw M5X14 WR	3				
003		911238-1	Pan head screw M5X22 WR	1				
004		1413N0-8	Tool holder complete	1				
005		122K21-9	Tank cap assembly	1				
	C10	213A77-4	O-ring 29.5	1				
006		4133J6-1	Dust cover	1				
007		266326-2	Binding head tapping screw 4X18	9				
008		1831N9-2	Housing set	1				
	C10	8091S4-6	Caution label	1				
	D10		INC. 46					
009		4133G1-0	Front hand guard retainer	1				
010		911118-1	Pan head screw M4X12 WR	2				
011		620T53-9	Indication circuit	1				
012		620T51-3	Controller	1				
013		1832K6-3	SPACER SET	1				
	D10		INC. 15					
014		620T52-1	Switch circuit	1				
015		1832K6-3	SPACER SET	1				
	D10		INC. 13					
016		232850-7	Torsion spring 10	1				
017		413C93-0	Switch lever	1				
018		141V01-2	Lock off lever complete	1				
019		650049-6	Switch C3JR-1A-PAXD5	1				
020		422C81-6	Oil tube 3-154	1				
021		266427-6	Binding head tapping screw 4X12	2				
022		142857-4	Oil pump complete	1				
023		961011-9	Stop ring (EXT) E-4	1				
024		226884-0	Worm gear	1				
025		4133F9-7	Motor housing	1				
026		911228-4	Pan head screw M5X18 WR	3				
027		422C80-8	Oil tube 3-117	1				
028		231975-4	Spring	1				
029		452666-6	Nipple	1				
030		266490-9	Pan head tapping screw 2X6	3				
031		687H54-8	Stopper	1				
032		620P43-8	Controller B	1				
033		652031-1	Pan head screw M3X6	3				
034		629D24-7	Stator	1				
035		4133G3-6	Baffle plate	1				
036		266326-2	Binding head tapping screw 4X18	2				
037		210311-7	Ball bearing 698ZZ	1				
038		519941-4	ROTOR ASS'Y	1				
	D10		INC. 37,39					
039		210274-7	Ball bearing 6000DDW	1				
040		632V23-8	Terminal unit	1				
041		652031-1	Pan head screw M3X6	2				
042		266326-2	Binding head tapping screw 4X18	5				
043		1830H3-6	Terminal box set	1				
	C10	263005-3	Rubber pin 6	2				
044		8155N2-9	UC033G NAME PLATE	1				
045		8155N4-5	UC033G SERIAL NO. LABEL	1				
046		1831N9-2	Housing set	1				
	C10	8091S4-6	Caution label	1				
	D10		INC. 8					
047		911228-4	Pan head screw M5X18 WR	4				
048		4133G8-6	Switch lever	1				
049		232956-1	Torsion spring 10	1				
050		650057-7	Switch D2SW-P01L30-3M-C2(S)	1				
051		137422-2	HOUSING BASE ASSEMBLY	1				
	C10	263002-9	Rubber pin 4	1				
052		4133G0-2	Front hand guard	1				
053		422D22-8	Dust seal	1				
054		313667-8	Hand guard guide	1				
055		232955-3	Compression spring 5	1				

Interchange
O : Yes
X : No
< : the new part can be substituted for the current.
> : the current part can be substituted for the new.
S : Interchangeable as a set.

