



IN	INDIA
----	-------

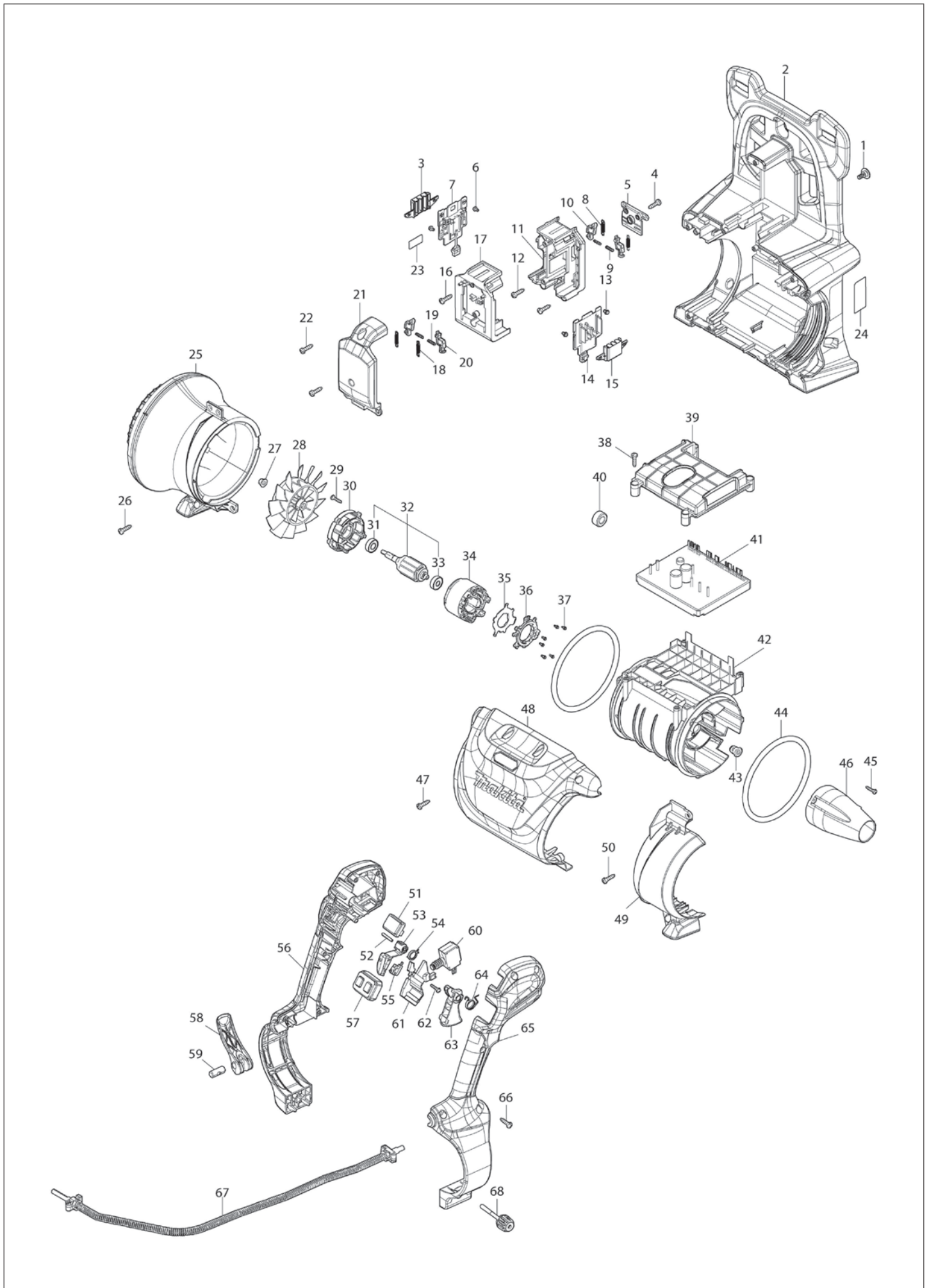
Diagram / Parts List

UB004G

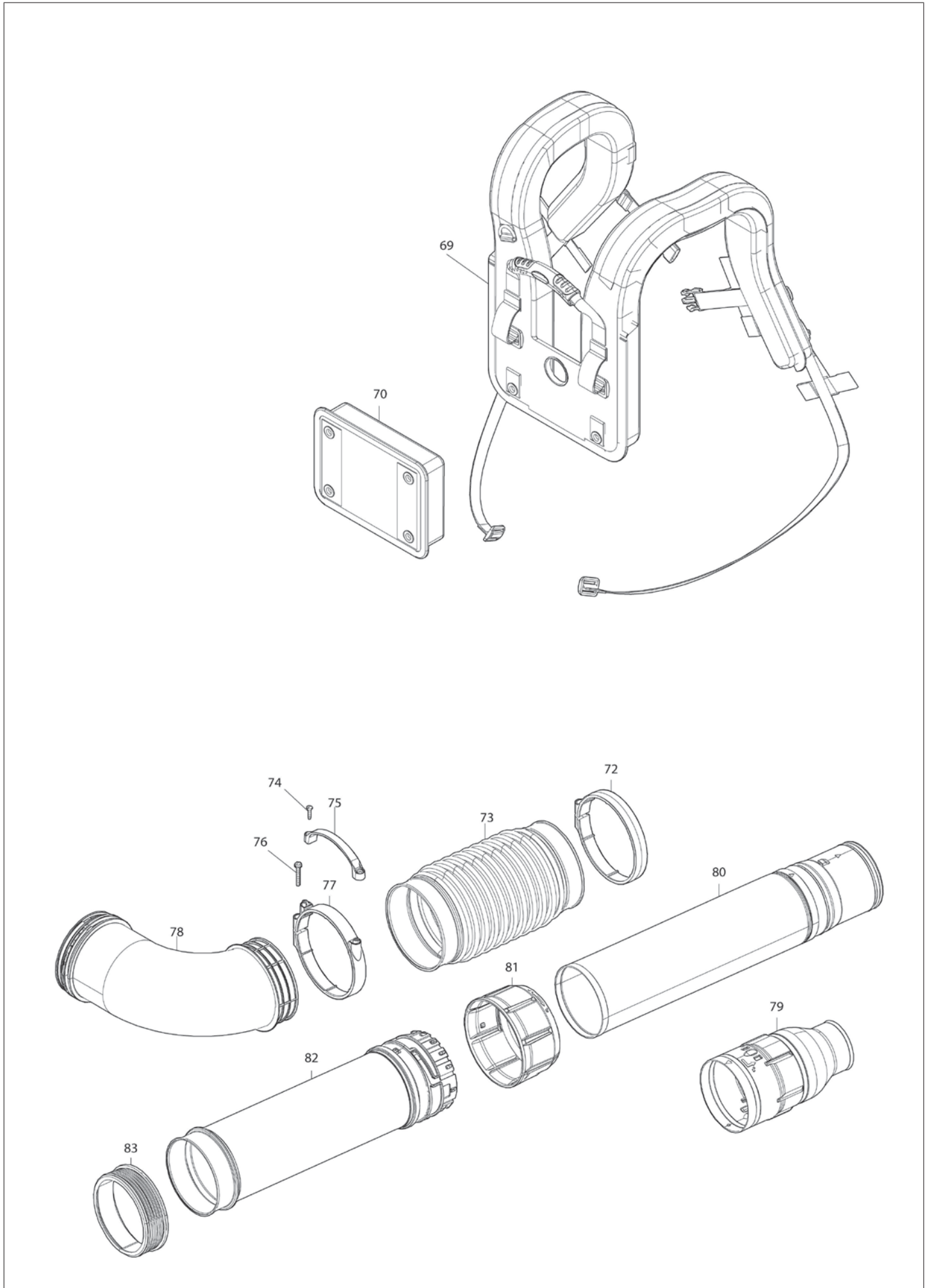
CORDLESS BACKPACK BLOWER



(SE) UB004G / CORDLESS BACKPACK BLOWER



(SE) UB004G / CORDLESS BACKPACK BLOWER



UB004G / CORDLESS BACKPACK BLOWER

Item	Sub	Parts No.	Parts Description	Qty	I/C	E/C No.	Close No.	Remark
001		265F07-1	SHOULDER FLAT HEAD SCREW M5X10	6				
002		1412T5-4	FRAME COMPLETE	1				
003		413B40-5	Terminal cover	1				
004		266326-2	Binding head tapping screw 4X18	1				
005		4134P9-3	LOCK COVER	1				
006		652031-1	Pan head screw M3X6	2				
007		632W79-7	TERMINAL UNIT	1				
008		232722-6	Tension spring 4	2				
009		232472-3	Compression spring 2	2				
010		413B41-3	Lock lever	2				
011		1832G5-7	TERMINAL BOX SET	1				
	C10	263005-3	Rubber pin 6	4				
	D10		INC. 17					
012		266326-2	Binding head tapping screw 4X18	2				
013		652031-1	Pan head screw M3X6	2				
014		632W79-7	TERMINAL UNIT	1				
015		413B40-5	Terminal cover	1				
016		266326-2	Binding head tapping screw 4X18	2				
017		1832G5-7	TERMINAL BOX SET	1				
	C10	263005-3	Rubber pin 6	4				
	D10		INC. 11					
018		232722-6	Tension spring 4	2				
019		232472-3	Compression spring 2	2				
020		413B41-3	Lock lever	2				
021		4134P6-9	TERMINAL BOX COVER	1				
022		266326-2	Binding head tapping screw 4X18	2				
023		8155T7-1	UB004G SERIAL NO. LABEL	1				
024		8155S9-0	UB004G NAME PLATE	1				
025		122K65-9	REAR HOUSING ASSEMBLY	1				
	C10	4136U9-0	REAR COVER	1				
	C20	266326-2	Binding head tapping screw 4X18	4				
026		266326-2	Binding head tapping screw 4X18	1				
027		252286-4	Collared hex. lock nut M5-8	1				
028		240237-9	Fan 110	1				
029		266130-9	Binding head tapping screw 3X16	4				
030		413W41-9	Motor housing cover	1				
031		211166-3	Ball bearing 698DDW	1				
032		519938-3	ROTOR ASS'Y	1				
	D10		INC. 31,33					
033		210310-9	Ball bearing 626DDW	1				
034		629C44-5	Stator	1				
035		620T28-8	CONTROLLER B	1				
036		638A33-7	Lead unit	1				
037		652119-7	Pan head screw M2X6	6				
038		266326-2	Binding head tapping screw 4X18	4				
039		413M52-4	Controller case cover	1				
040		688131-1	Line filter	1				
041		620T27-0	CONTROLLER	1				
042		137434-5	MOTOR HOUSING ASSEMBLY	1				
	C10	263005-3	Rubber pin 6	2				
043		422879-3	Grommet	1				
044		424721-4	Rubber ring 115	2				
045		266130-9	Binding head tapping screw 3X16	3				
046		413W36-2	Cap	1				
047		266326-2	Binding head tapping screw 4X18	6				
048		137425-6	UPPER HOUSING ASSEMBLY	1				
049		4134R2-1	ELBOW SUPPORT	1				
050		266326-2	Binding head tapping screw 4X18	1				
051		620T30-1	INDICATION CIRCUIT	1				
052		256221-4	Pin 3	1				
053		4134R0-5	SWITCH PLATE	1				
054		232980-4	TORSION SPRING 12	1				
055		632G60-2	Switch unit	1				
056		1832K7-1	LEVER CASE SET	1				
	D10		INC. 65					

Interchange

O : Yes

X : No

< : the new part can be substituted for the current.

> : the current part can be substituted for the new.

S : Interchangeable as a set.

