



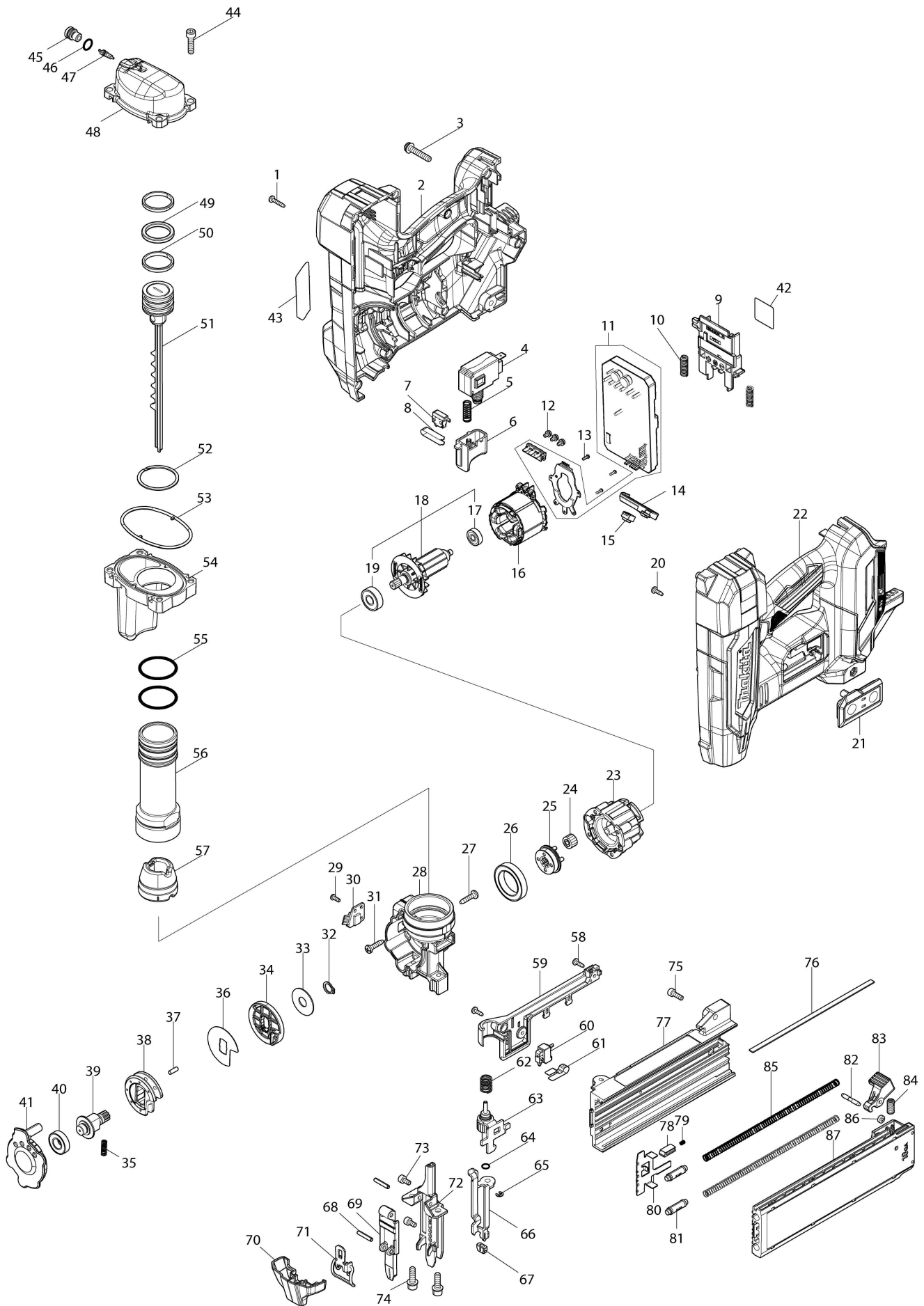
Diagram / Parts List

DBN501

Cordless Brad Nailer



(IN) DBN501 / Cordless Brad Nailer



IN	INDIA
-----------	--------------

DBN501 / Cordless Brad Nailer

Item	Sub	Parts No.	Parts Description	Qty	I/C	E/C No.	Close No.	Remark
001		266130-9	Binding head tapping screw 3X16	11				
002		1831D7-6	Housing set	1				
	C10	263005-3	Rubber pin 6	2				
	C20	252126-6	Hex. lock nut M4-7	2				
	C30	252103-8	Hex. lock nut M5-8	1				
	D10		INC. 22					
003		911248-8	Pan head screw M5X28 WR	1				
004		650060-8	Switch C3JR-5BM-PAND-2	1				
005		232884-0	Compression spring 7	1				
006		4130V7-5	Trigger	1			E1436	
006-1		1413L6-2	TRIGGER COMPLETE	1	O	E1436		
007		632V61-0	Switch unit	1				
008		232889-0	Leaf spring	1			DX856	
008-1		232889-0	Leaf spring	1	O	DX856		
009		654908-6	Terminal	1				
010		232876-9	Compression spring 7	2				
011		620P12-9	Controller	1				
012		652069-6	Flat head screw M3X6	3				
013		266490-9	Pan head tapping screw 2X6	3				
014		4130V8-3	LED holder	1				
015		620P87-8	LED circuit	1				
016		629A28-1	Stator	1				
017		210231-5	Ball bearing 625ZZ	1				
018		519865-4	Rotor assembly	1				
	D10		INC. 17,19					
019		210005-4	Ball bearing 608DDW	1				
020		266007-8	Binding head tapping screw 3X10	2				
021		620P99-1	Switch circuit complete	1				
022		1831D7-6	Housing set	1				
	C10	263005-3	Rubber pin 6	2				
	C20	252126-6	Hex. lock nut M4-7	2				
	C30	252103-8	Hex. lock nut M5-8	1				
	D10		INC. 2					
023		122G77-8	Gear assembly	1				
024		227B71-6	Spur gear 14	4				
025		141Y39-5	Carrier complete	1				
026		210168-6	Ball bearing 6805DDW	1				
027		265995-6	Binding head tapping screw 4X18	2			DX539	
027-1		265E16-4	Tapping screw 4X18	2	<	DX539		
028		141Y44-2	Inner housing complete	1				
029		911007-0	Pan head screw M3X8	1				
030		620P94-1	Sensor circuit	1				
031		265995-6	Binding head tapping screw 4X18	4			DX539	
031-1		265E16-4	Tapping screw 4X18	4	<	DX539		
032		961006-2	Retaining ring (EXT) S-10	1				
033		347C87-2	Flat washer 10	1				
034		162D44-3	Holder complete	1				
035		232885-8	Compression spring 4	1				
036		347C81-4	Lifter plate	1				
037		256173-9	Pin 3.5	6				
038		327E03-2	Lifter	1				
039		327E09-0	Lifter shaft	1				
040		211391-6	Ball bearing 6900LLU	1				
041		4130V1-7	Lifter cap	1				
042		8148K6-5	Serial No. label DBN501	1				
043		8148K4-9	Name plate DBN501	1				
044		922232-8	Hex. socket head bolt M5X20	4				
045		327D23-0	Valve cap	1				
046		213007-9	O-ring 8	1				
047		243138-0	Valve core	1				
048		312H24-5	Top cap	1				
049		213A78-2	X-ring 23	1				
050		4130T8-9	Slide ring	2				
051		137238-5	Driver assembly	1			E3134	
051-1		137238-5	Driver assembly	1	O	E3134		

B:DBN501RF(H)

Interchange
O : Yes
X : No
< : the new part can be substituted for the current.
> : the current part can be substituted for the new.
S : Interchangeable as a set.

