

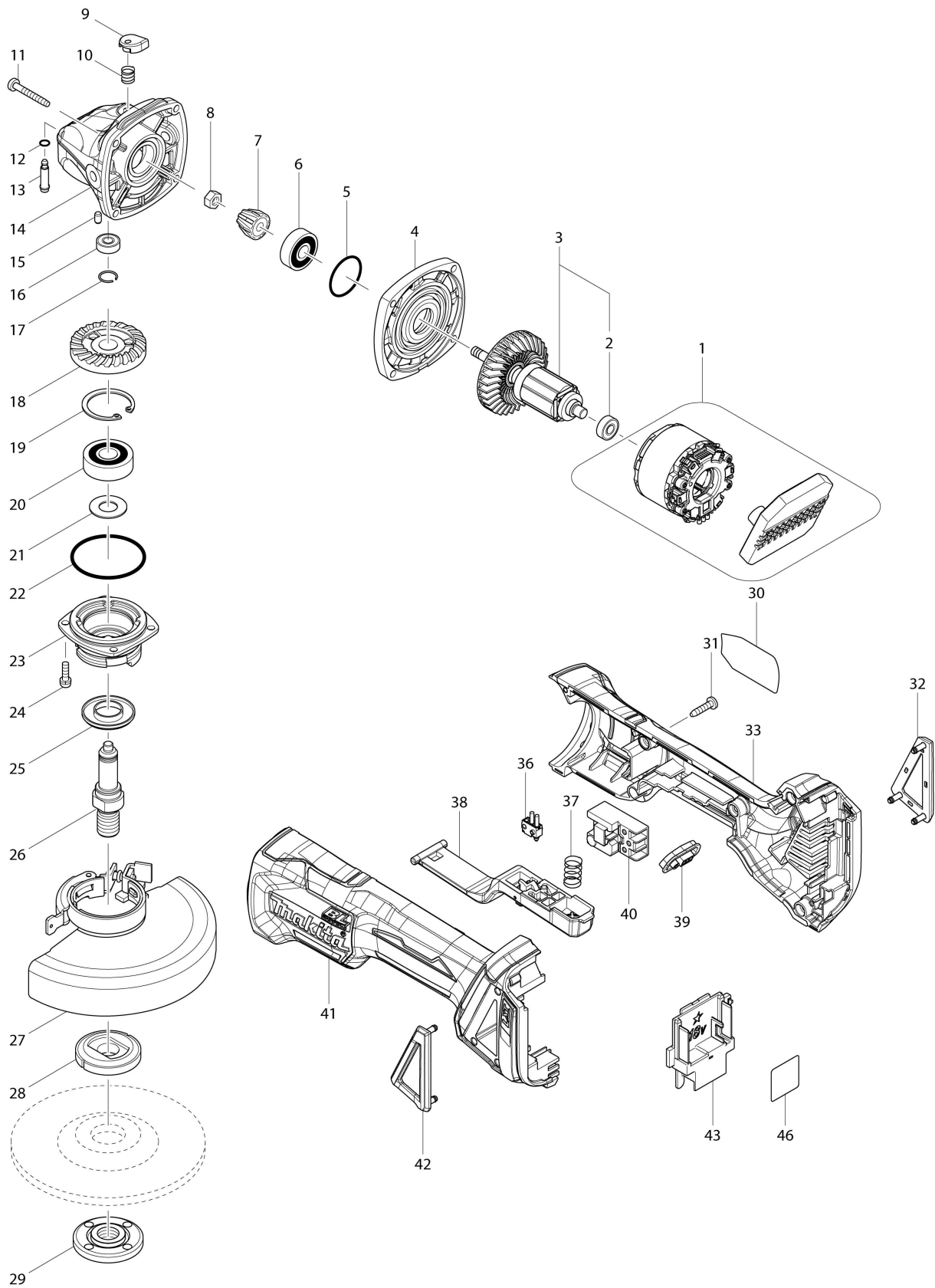


Diagram / Parts List

DGA505 Cordless Angle Grinder



(IN) DGA505 / Cordless Angle Grinder



DGA505 / Cordless Angle Grinder

Item	Sub	Parts No.	Parts Description	Qty	I/C	E/C No.	Close No.	Remark
001		629139-6	Stator complete	1			B0251	
001-1		629174-4	Stator complete	1	O	B0251	DE703	
001-2		629B61-9	Stator	1	S	DE703		
002		211021-9	Ball bearing 607LLB	1				
003		510297-8	Rotor assembly	1			Y07341	
	D10		INC. 2				Y07341	
003-1		510300-5	Rotor assembly	1	O	Y07341	D7193	
	D10		INC. 2			Y07341	D7193	
003-2		510300-5	Rotor assembly	1	O		D7193	
	D10		INC. 2				D7193	
004		319214-3	Gear housing cover	1				
005		213445-5	O-ring 26	1				
006		210042-8	Ball bearing 629LLB	1				
007		227541-3	Spiral bevel gear 10	1			C3594	
007-1		226861-2	Spiral bevel gear 10	1	S	C3594		
008		252186-8	Hex. nut M6	1				
009		417771-6	Pin cap	1				
010		233072-2	Compression spring 8	1				
011		266361-0	Binding head tapping screw 4X30	4				
012		213960-9	O-ring 5	1				
013		256546-6	Shoulder pin 4	1				
014		319213-5	Gear housing	1				
015		263002-9	Rubber pin 4	1				
016		210006-2	Ball bearing 696ZZ	1				
017		233950-6	Ring spring 11	1				
018		227641-9	Spiral bevel gear 37	1			C3594	
018-1		226862-0	Spiral bevel gear 37	1	S	C3594		
019		962151-6	Retaining ring (INT) R-32	1				
020		211129-9	Ball bearing 6201DDW	1				
021		267113-2	Flat washer 12	1			D7262	
021-1		267238-2	Flat washer 12	1	O	D7262		
022		213622-9	O-ring 45	1				
023		318331-6	Bearing box	1				
024		911121-2	Pan head screw M4X14 W	4				
025		345464-4	Labyrinth ring	1				
026		324954-0	Spindle	1				
027		123145-8	Toolless wheel cover 125AK assembly	1			B1218	
	C10	213009-5	O-ring 4	1			B1218	
	C20	265180-1	Pan head screw M5X16	1			B1218	
027-1		123099-9	Wheel cover 125AK assembly	1	O	B1218		
	C10	213009-5	O-ring 4	1		B1218	DS662	
	C20	265180-1	Pan head screw M5X16	1		B1218		
028		224415-9	Inner flange 42	1			B3974	
028-1		224490-5	Inner flange 14-45	1	O	B3974		
029		224554-5	Lock nut 14-45	1				
030		850L12-3	Name plate DGA505	1				
031		266326-2	Binding head tapping screw 4X18	5				
032		455450-8	Dust cover R	1				
033		183A52-3	Motor housing set	1			DW499	
	C10	263005-3	Rubber pin 6	2			DW499	
	D10		INC. 41				DW499	
033-1		183D12-3	Motor housing set	1	S	DW499		
	C10	263005-3	Rubber pin 6	2		DW499		
	D10		INC. 41			DW499		
036		632E12-1	Switch unit	1				
037		234357-9	Compression spring 11	1				
038		142976-6	Switch lever complete	1				
039		142901-7	Indicator panel complete	1				
040		650734-1	Switch TG73BDS-2	1				
041		183A52-3	Motor housing set	1			DW499	
	C10	263005-3	Rubber pin 6	2			DW499	
	D10		INC. 33				DW499	
041-1		183D12-3	Motor housing set	1	S	DW499		
	C10	263005-3	Rubber pin 6	2		DW499		
	D10		INC. 33			DW499		

Interchange
O : Yes
X : No
< : the new part can be substituted for the current.
> : the current part can be substituted for the new.
S : Interchangeable as a set.

