



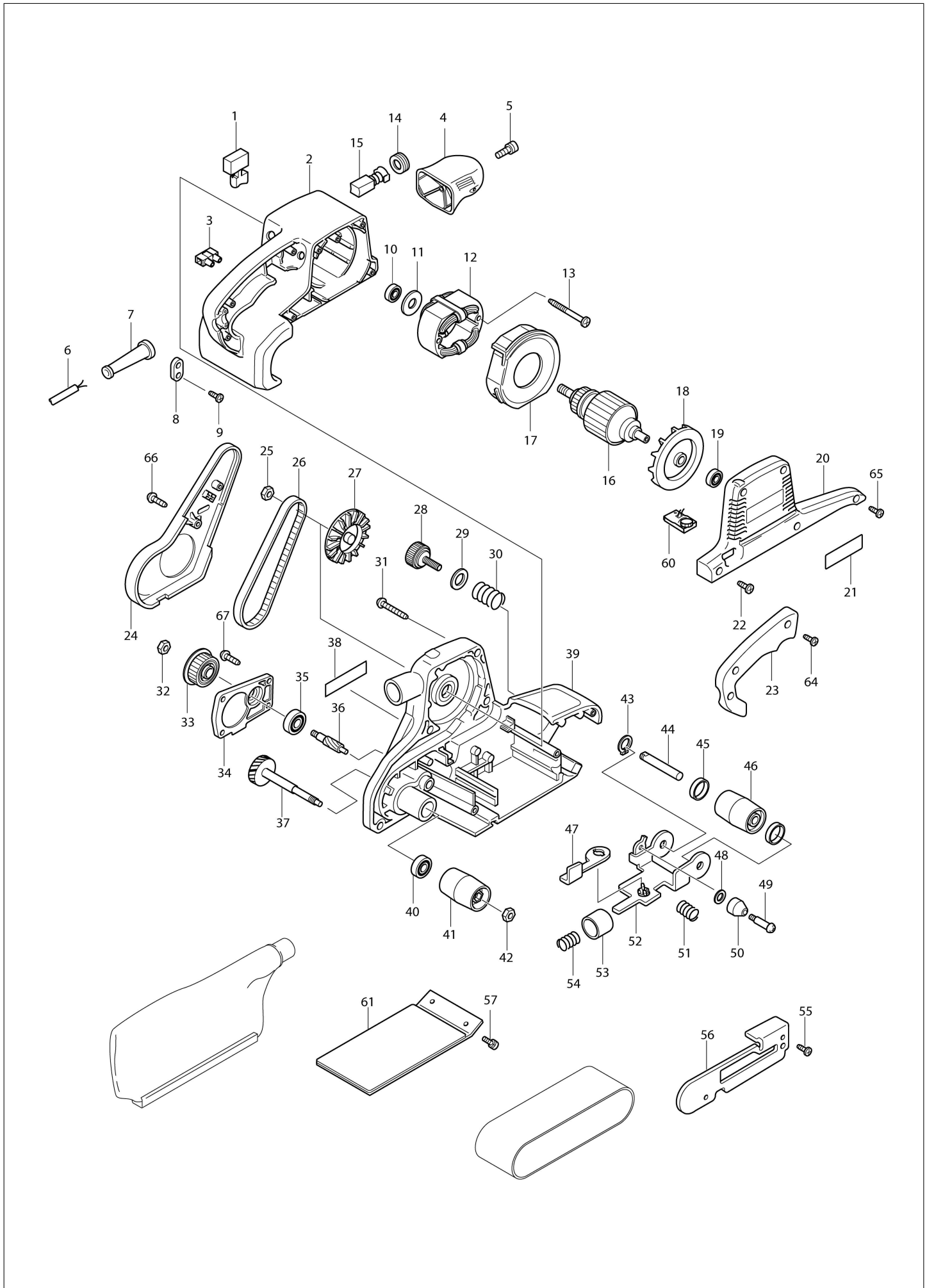
Diagram / Parts List

9920

Belt Sander



(IN) 9920 / Belt Sander



IN	INDIA
-----------	--------------

9920 / Belt Sander

Item	Sub	Parts No.	Parts Description	Qty	I/C	E/C No.	Close No.	Remark
001		651284-9	Switch SGEL115CDY-6	1				
002		151743-8	Motor housing complete	1				
	C10	643708-9	Brush holder 5-11	2				
004		417049-7	Front grip	1				
005		266173-1	Binding head tapping screw 5X30	1				
006M_		666226-0	Power supply cord 1.5-2-5.0	1				
007B1		682503-2	Cord guard 8	1				
008		687063-9	Strain relief	1				
009		265995-6	Binding head tapping screw 4X18	2				
010		211088-7	Ball bearing 6000DDW	1				
011		681649-1	Insulation washer	1				
012B_		523404-4	Field assembly 230-240V	1				
	C10	654020-2	Ring terminal 36L	2				
	C22	654502-4	Non-insulated splice	2				
013		266056-5	Binding head tapping screw 5X45	2				
014-2		643750-0	Holder cap 7-11	2				
015-1		194996-6	Carbon brush set CB-303	1				
016B_		513339-7	Armature assembly 230-240V	1				
	D10		INC. 10,11,18,19					
017		417050-2	Baffle plate	1				
018		240026-2	Fan 75	1				
019		210023-2	Ball bearing 627DDW	1				
020		417048-9	Motor cover	1				
022		265995-6	Binding head tapping screw 4X18	4				
023		417051-0	Handle cover	1				
024		417052-8	Belt cover	1				
025		252153-3	Hex. nut M6-10	1				
026		225084-9	Synchro belt 6-330	1				
027		241663-5	Fan 76	1				
028		251815-0	Thumb screw M6X25	1				
030-1		232573-7	Compression spring 16	1				
031		266050-7	Binding head tapping screw 4X30	5				
032		931402-8	Hex. nut M8	1				
033		222156-1	Pulley 9.5-46.0	1				
034		317273-1	Gear cover	1				
035-2		211092-6	Ball bearing 629DDW	1				
036		226520-8	Helical gear 10	1				
037		151755-1	Helical gear 39 complete	1				
	C10	226519-3	Helical gear 39	1				
038		852053-3	Name plate 9920	1				
039		151747-0	Frame complete	1				
	C10	212043-2	Needle bearing 810	1				
	C21	214101-0	Plane bearing 12	1				
	C30	344828-9	Plate	1				
040		211088-7	Ball bearing 6000DDW	1				
041		162217-4	Driving roller	1				
042		252154-1	Hex. nut M8-13	1				
043		961052-5	Retaining ring (EXT) S-12	1				
044		323931-9	Tension roller shaft	1				
045		253922-5	Cup washer 12	2				
046		151753-5	Tension roller complete	1				
	C10	214116-7	Plane bearing 12	2				
	C20	413012-8	Sponge sheet 30-47	1				
047		344823-9	Lever	1				
048		267731-6	Cup washer 4	1				
049		265059-6	Shoulder screw M4X21	1				
050		416417-1	Roller	1				
051		233249-9	Compression spring 7	1				
052		151744-6	Tension roller arm complete	1				
053		267746-3	Cup washer 17	1				
054		233250-4	Compression spring 12	1				
055		266034-5	Binding head tapping screw 4X16	2				
056		344822-1	Safety cover	1				
057		911116-5	Pan head screw M4X12 W	2				
060A_		631380-9	Controller	1				

Interchange
O : Yes
X : No
< : the new part can be substituted for the current.
> : the current part can be substituted for the new.
S : Interchangeable as a set.

