



ZA

SOUTH AFRICA

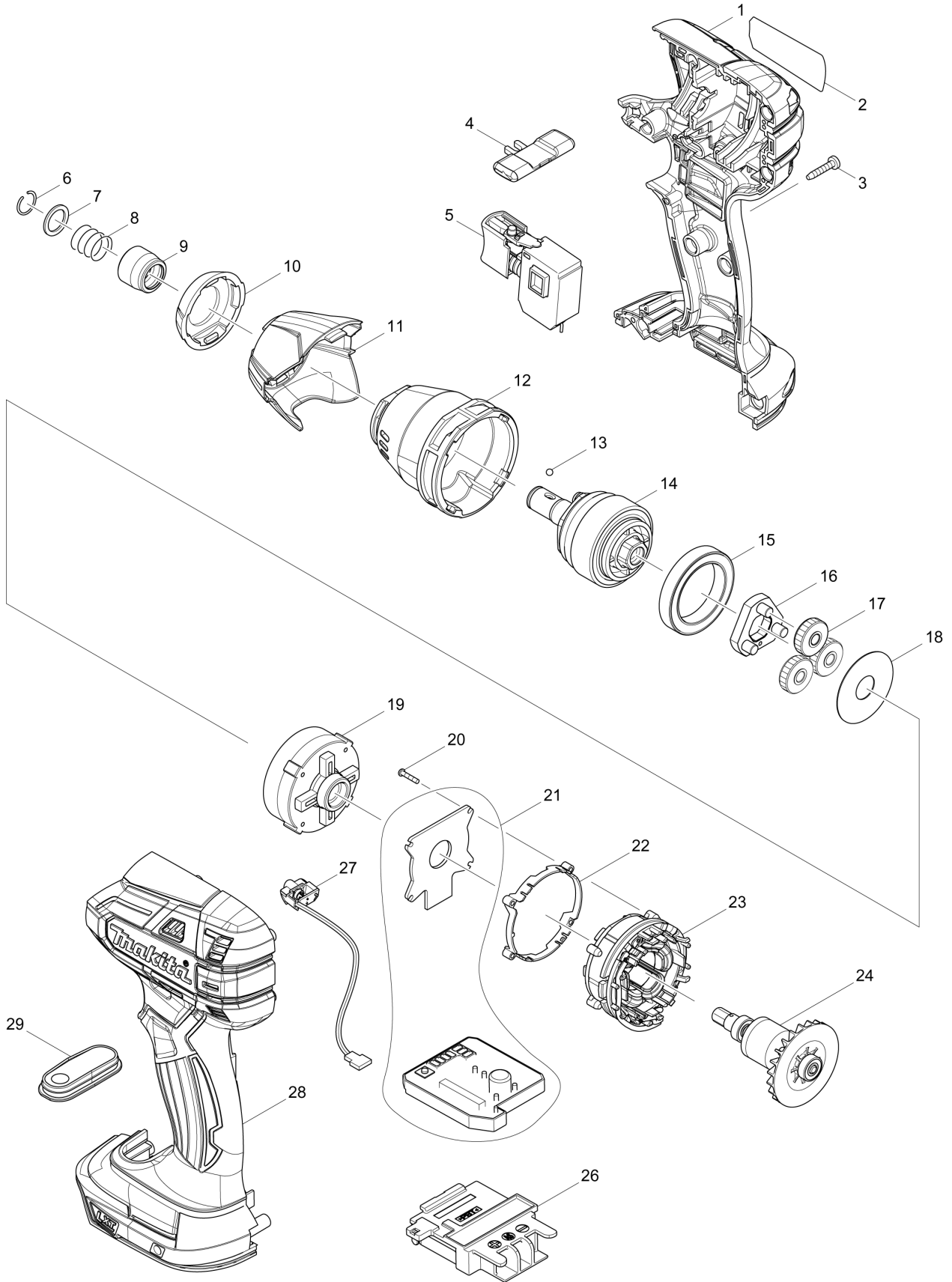
Diagram / Parts List

DTS141

CORDLESS OIL-PULSE DRIVER



(ZA) DTS141 / CORDLESS OIL-PULSE DRIVER



ZA	SOUTH AFRICA
-----------	---------------------

DTS141 / CORDLESS OIL-PULSE DRIVER

Item	Sub	Parts No.	Parts Description	Qty	I/C	E/C No.	Close No.	Remark
001		187989-0	HOUSING SET	1				
	C10	263005-3	RUBBER PIN 6	2				
	C20	252126-6	HEX. LOCK NUT M4-7	2				
	D10		INC. 28					
002		850H88-6	DTS141 NAME PLATE	1				
003		266130-9	TAPPING SCREW BIND PT 3X16	9				
004		455053-8	F/R CHANGE LEVER	1				
005		650673-5	SWITCH C3JW-1A	1				
006		231965-7	RING SPRING 10	1				
007		267143-3	FLAT WASHER 11	1				
008		234347-2	COMPRESSION SPRING 11	1				
009A		326465-1	BIT SLEEVE	1			A6662	
009-1A		326542-9	BIT SLEEVE	1	<	A6662	DF526	
009-1B		326542-9	BIT SLEEVE	1			DF526	
009-2		327A83-4	BIT SLEEVE	1	S	DF526		
010		424662-4	BUMPER	1				
011		455468-9	UNIT CASE COVER	1				
012		142928-7	UNIT CASE COMPLETE	1				
	C10	213126-1	OIL SEAL 12	1				
	C20	211136-2	BALL BEARING 6801LLB	1				
013		216019-1	STEEL BALL 3	2				
014A		142935-0	OIL UNIT COMPLETE	1			A6662	
014-1A		142935-0	OIL UNIT COMPLETE	1	<	A6662	A7095	
	C10	143263-6	BIT PIECE A COMPLETE	1		A6662	A7095	
014-2A		143274-1	OIL UNIT COMPLETE	1	<	A7095	DF526	
	C10	143263-6	BIT PIECE A COMPLETE	1		A7095	DF526	
014-2B		143274-1	OIL UNIT COMPLETE	1			DF526	
	C10	143263-6	BIT PIECE A COMPLETE	1			DF526	
014-3		141M44-0	OIL UNIT COMPLETE	1	S	DF526	DR986	
014-4		141W57-1	OIL UNIT COMPLETE	1	O	DR986		
015		211294-4	BALL BEARING 6806LLU	1				
016		142929-5	CARRIER COMPLETE	1				
017		227368-1	SPUR GEAR 22	3				
018		267067-3	FLAT WASHER 12	1				
019		227361-5	INTERNAL GEAR 51	1				
020		266786-8	+ PAN HEAD TAPPING SCREW 2X10	4				
021		620354-5	CONTROLLER	1			C0482	
021-1		620895-1	CONTROLLER	1	<	C0482		
022		687464-1	SUPPORT	1				
023		629137-0	STATOR	1				
024		619358-2	ROTOR	1				
026		643860-3	TERMINAL	1				
027		620355-3	LED CIRCUIT	1				
028		187989-0	HOUSING SET	1				
	C10	263005-3	RUBBER PIN 6	2				
	C20	252126-6	HEX. LOCK NUT M4-7	2				
	D10		INC. 1					
029A		141583-2	SWITCH PLATE COMPLETE	1			A5419	
029-1A		141583-2	SWITCH PLATE COMPLETE	1	<	A5419		
029-1B		141583-2	SWITCH PLATE COMPLETE	1				
A01		266622-8	+ TRUSS HEAD SCREW M4X12	1				
A02		346317-0	HOOK	1				
A03B		821550-0	CONNECTOR PLASTIC CASE (TYPE2)	1				
	C10	453974-8	LATCH	4				
A04B		837670-0	INNER TRAY	1				
A05B		805G10-2	DTS141ZJ INDICATION LABEL	1				
A06B		805G11-0	DTS141ZJ PLASTIC CASE LABEL	2				
F05		194649-7	BATTERY PROTECTOR	1				
F06-3		197606-4	BATTERY BL1830B SET (2PIECES)	1	O	C4176	DR433	
F07		195779-7	HOOK SET	1				
F08-3		197600-6	BATTERY BL1830B SET	1	O	C4176		
F09-4		197599-5	BATTERY BL1830B SET	1	O	DF998		
F10-3		197267-0	BATTERY BL1840B SET	1	O	C5218		
F11-3		197265-4	BATTERY BL1840B SET	1	O	C5218		
F12-3		197273-5	BATTERY BL1840B SET(2PIECES)	1	O	C5218		

A:DTS141Z(N)
B:DTS141ZJ(N)

Interchange
O : Yes
X : No
< : the new part can be substituted for the current.
> : the current part can be substituted for the new.
S : Interchangeable as a set.