



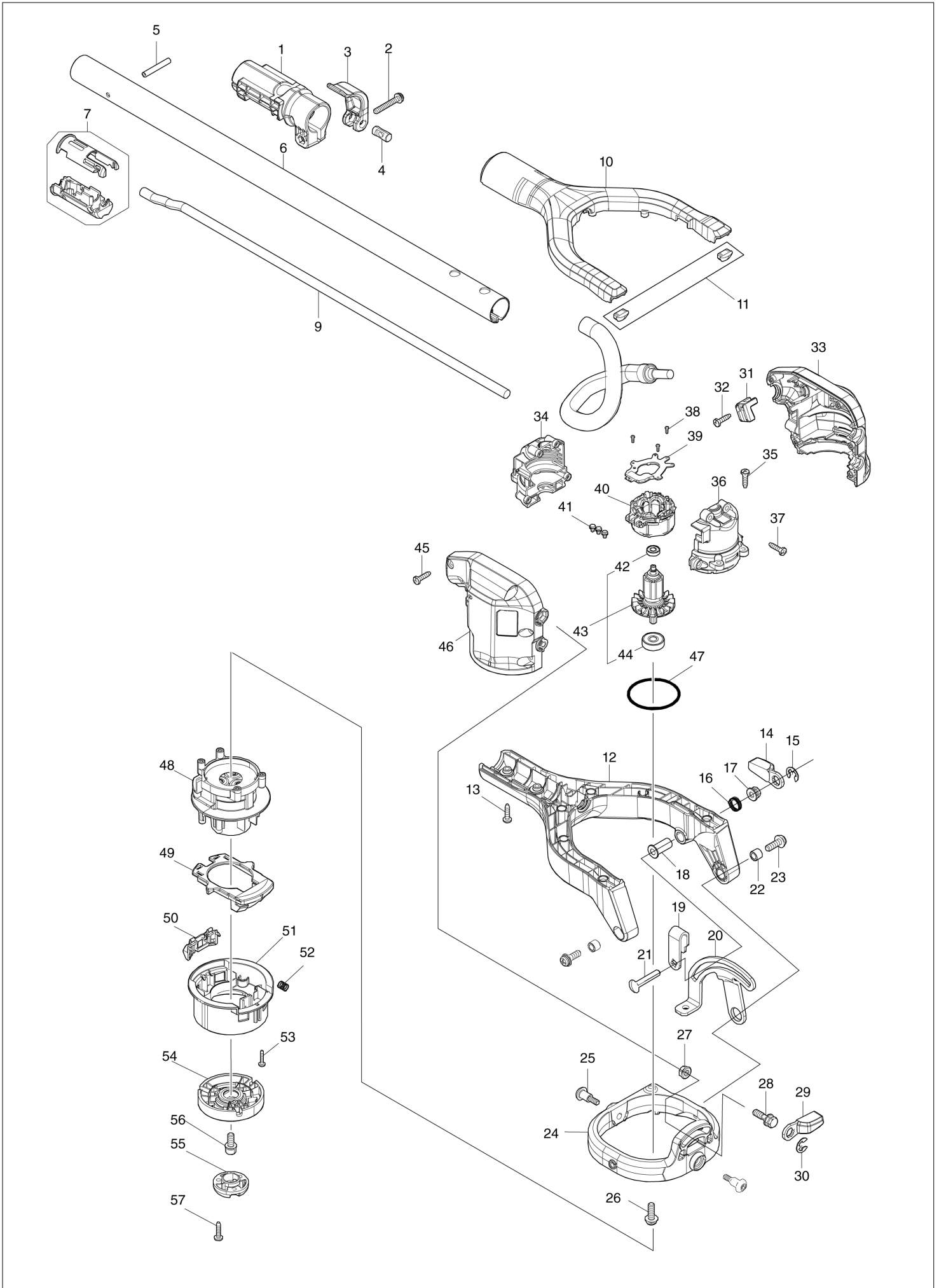
Diagram / Parts List

PS001G

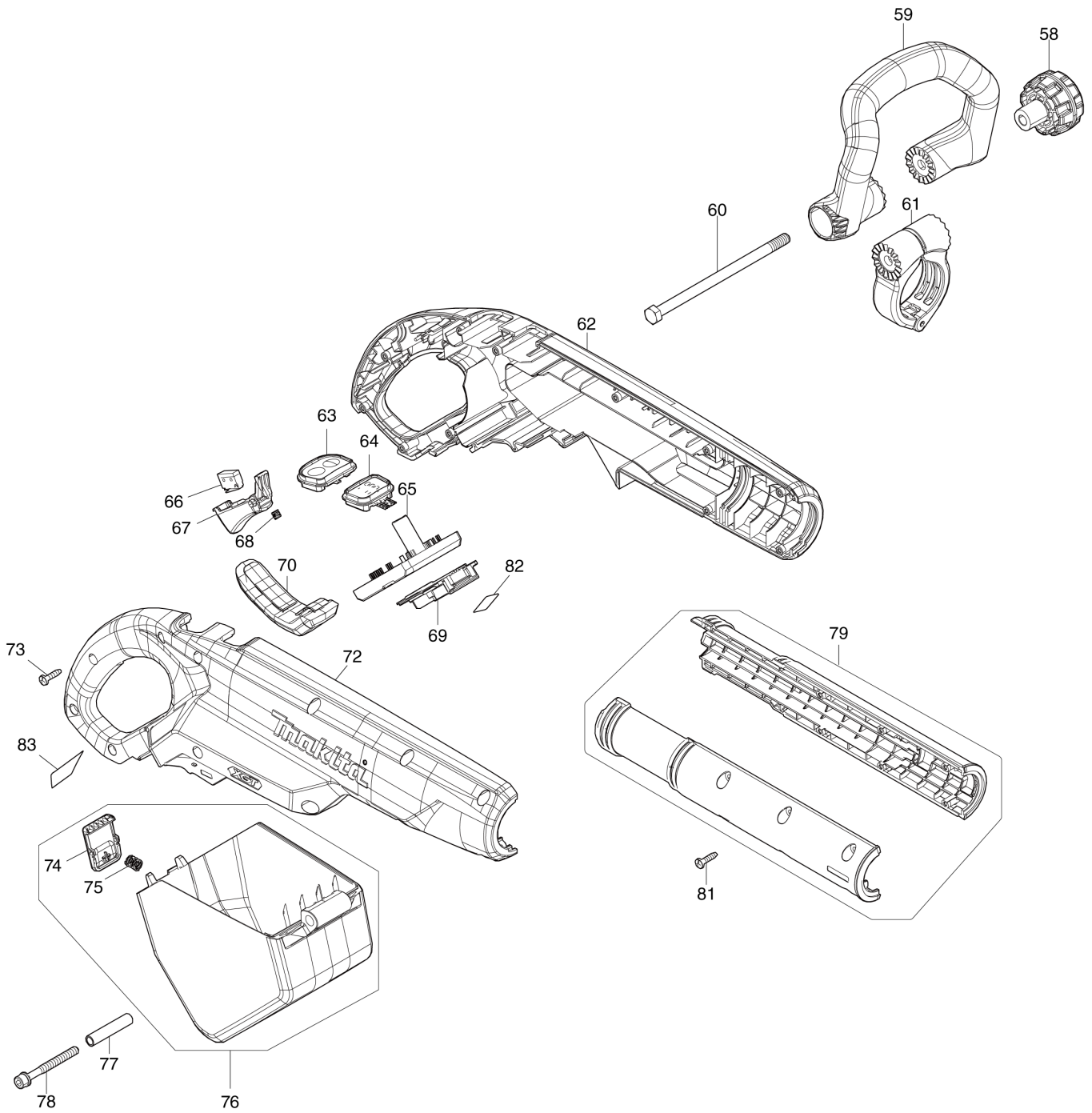
CORDLESS POLISHER SCRUBBER



(IN) PS001G / CORDLESS POLISHER SCRUBBER



(IN) PS001G / CORDLESS POLISHER SCRUBBER



IN

INDIA

PS001G / CORDLESS POLISHER SCRUBBER

Item	Sub	Parts No.	Parts Description	Qty	I/C	E/C No.	Close No.	Remark
001		4131A8-2	SLEEVE	1				
002		265D91-4	P.H.SCREW M5X35 WITH WR	1				
003		4131A9-0	LEVER	1				
004		327E33-3	PIN9	1				
005		951175-7	SPRING PIN 5-36	1				
006		327E32-5	PIPE 28	1				
007		1830Y7-7	CORD HOLDER SET	1				
009		699251-6	POWER SUPPLY CORD UNIT	1				
010		1830Y9-3	ARM SET	1				
	D10		INC. 12					
011		620N28-2	LED CIRCUIT	1				
012		1830Y9-3	ARM SET	1				
	D10		INC. 10					
013		265D95-6	TAPPING SCREW 4X18	8				
014		271483-3	LEVER 39	1				
015		259095-2	STOP RING E-8	1				
016		232908-2	TORSION SPRING 13	1				
017		252351-9	HEX. NUT M6	1				
018		257A52-0	COLLARED SLEEVE 6	1				
019		347D09-8	FIX PLATE	1				
020		347D08-0	ADJUST PLATE	1				
021		265D90-6	R.H SQUARE NECK BOLT M6X35	1				
022		257A53-8	SLEEVE 6	2				
023		265D92-2	P.H.SCREW M6X20 WITH WG	2				
024		312H45-7	FRAME	1				
025		265D88-3	HEX SOCKET BUTTON H BOLT M8X22	2				
026		265D92-2	P.H.SCREW M6X20 WITH WG	1				
027		252348-8	FLANGE NUT M6	1				
028		265D89-1	HEX.BOLT M6X20	1				
029		271483-3	LEVER 39	1				
030		259095-2	STOP RING E-8	1				
031		687261-5	STRAIN RELIEF	1				
032		265D95-6	TAPPING SCREW 4X18	1				
033		1831C1-1	HEAD COVER SET	1				
	C10	8081H1-2	CAUTION LABEL	1				
	D10		INC. 46					
034		1830Y6-9	MOTOR HOUSING SET	1				
	D10		INC. 36					
035		265D95-6	TAPPING SCREW 4X18	4				
036		1830Y6-9	MOTOR HOUSING SET	1				
	D10		INC. 34					
037		265D95-6	TAPPING SCREW 4X18	4				
038		266490-9	TAPPING SCREW PT 2X6	3				
039		620N29-0	CONTROLLER B	1				
040		629C80-1	STATOR	1				
041		652069-6	FLAT HEAD SCREW M3X6	3				
042		210039-7	BALL BEARING 695DDW	1				
043		519870-1	ROTOR ASSY	1				
	D10		INC. 42,44					
044		210023-2	BALL BEARING 627DDW	1				
045		265D95-6	TAPPING SCREW 4X18	6				
046		1831C1-1	HEAD COVER SET	1				
	C10	8081H1-2	CAUTION LABEL	1				
	D10		INC. 33					
047		213A01-7	O-RING 50	1				
048		122G86-7	GEAR ASSEMBLY	1				
049		4131C4-4	HOOK A	1				
050		4131C6-0	HOOK B	1				
051		4131C5-2	HOOK COVER	1				
052		232904-0	COMPRESSION SPRING 8	1				
053		265D96-4	TAPPING SCREW 3X16	4				
054		4131C0-2	ADAPTER	1				
055		4131C1-0	CAP36	1				
056		265D93-0	H.S.H.BOLT M6X16 WITH WG	1				
057		265D95-6	TAPPING SCREW 4X18	3				

A:PS001GZ(N)
B:PS001GM101(H)

Interchange
O : Yes
X : No
< : the new part can be substituted for the current.
> : the current part can be substituted for the new.
S : Interchangeable as a set.

IN	INDIA
----	-------

PS001G / CORDLESS POLISHER SCRUBBER

Item	Sub	Parts No.	Parts Description	Qty	I/C	E/C No.	Close No.	Remark
058		252349-6	THUMB NUT M8	1				
059		4131C2-8	FRONT HANDLE	1				
060		265D87-5	HEX. BOLT M8X150	1				
061		1410A7-5	HANDLE BASE 50 COMPLETE	1				
062		1830Y1-9	HANDLE SET	1				
	C10	263005-3	RUBBER PIN 6	2				
	D10		INC. 72					
063		141D66-6	SWITCH CIRCUIT COMPLETE E	1				
064		1410B1-4	INDICATION CIRCUIT COMPLETE	1				
065		620N27-4	CONTROLLER	1				
066		632V96-1	SWITCH UNIT	1				
067		4131A7-4	SWITCH LEVER	1				
068		232485-4	COMPRESSION SPRING 5	1				
069		632P49-4	TERMINAL UNIT	1				
070		422B90-9	RUBBER GUARD	1				
072		1830Y1-9	HANDLE SET	1				
	C10	263005-3	RUBBER PIN 6	2				
	D10		INC. 62					
073		265D95-6	TAPPING SCREW 4X18	12				
074		4131C3-6	COVER HOOK	1				
075		232904-0	COMPRESSION SPRING 8	1				
076		137207-6	BATTERY COVER L ASS'Y	1				
	D10		INC. 74,75					
077		257A54-6	SLEEVE 6	1				
078		265D94-8	HEX. SOCKET HEAD BOLT M6X60 WI	1				
079		1831A0-9	PIPE HOUSING SET	1				
081		265D95-6	TAPPING SCREW 4X18	6				
082		8147Y3-3	PS001G SERIAL NO. LABEL	1				
083		8147X7-8	PS001G NAME PLATE	1				
A01		1914T1-4	BRUSH 190 MEDIUM SET	1				
A02		122H58-8	SPLASH GUARD ASSEMBLY	1				
A03		1914S4-1	PAD HOLDER 175 SET	1				
A04		1914S5-9	FLOOR PAD 200 WHITE SET	1				
A05		1914S6-7	FLOOR PAD 200 RED SET	1				
A06		1914S7-5	FLOOR PAD 200 BLUE SET	1				
A07		1915D1-8	ACCESSORY BAG SET	1				
A08B		191B31-3	BATTERY BL4040 SET	1				
A09B		***DC40RA	DC40RA FAST CHARGER	1				
	D10		COMPO-PARTS					
F01		1914S4-1	PAD HOLDER 175 SET	1				
F02		1914S5-9	FLOOR PAD 200 WHITE SET	1				
F03		1914S6-7	FLOOR PAD 200 RED SET	1				
F04		1914S7-5	FLOOR PAD 200 BLUE SET	1				
F05		1914S8-3	FLOOR PAD 200 BROWN SET	1				
F06		1914S9-1	FLOOR PAD 200 BLACK SET	1				
F07		1914T0-6	BRUSH 190 SOFT SET	1				
F08		1914T1-4	BRUSH 190 MEDIUM SET	1				
F09		1914T2-2	BRUSH 190 HARD SET	1				
F10		1914T3-0	BRUSH 190 ABRASIVE SET	1				
F11		1915D1-8	ACCESSORY BAG SET	1				

A:PS001GZ(N) B:PS001GM101(H)	Interchange O : Yes X : No < : the new part can be substituted for the current. > : the current part can be substituted for the new. S : interchangeable as a set.
---------------------------------	---