



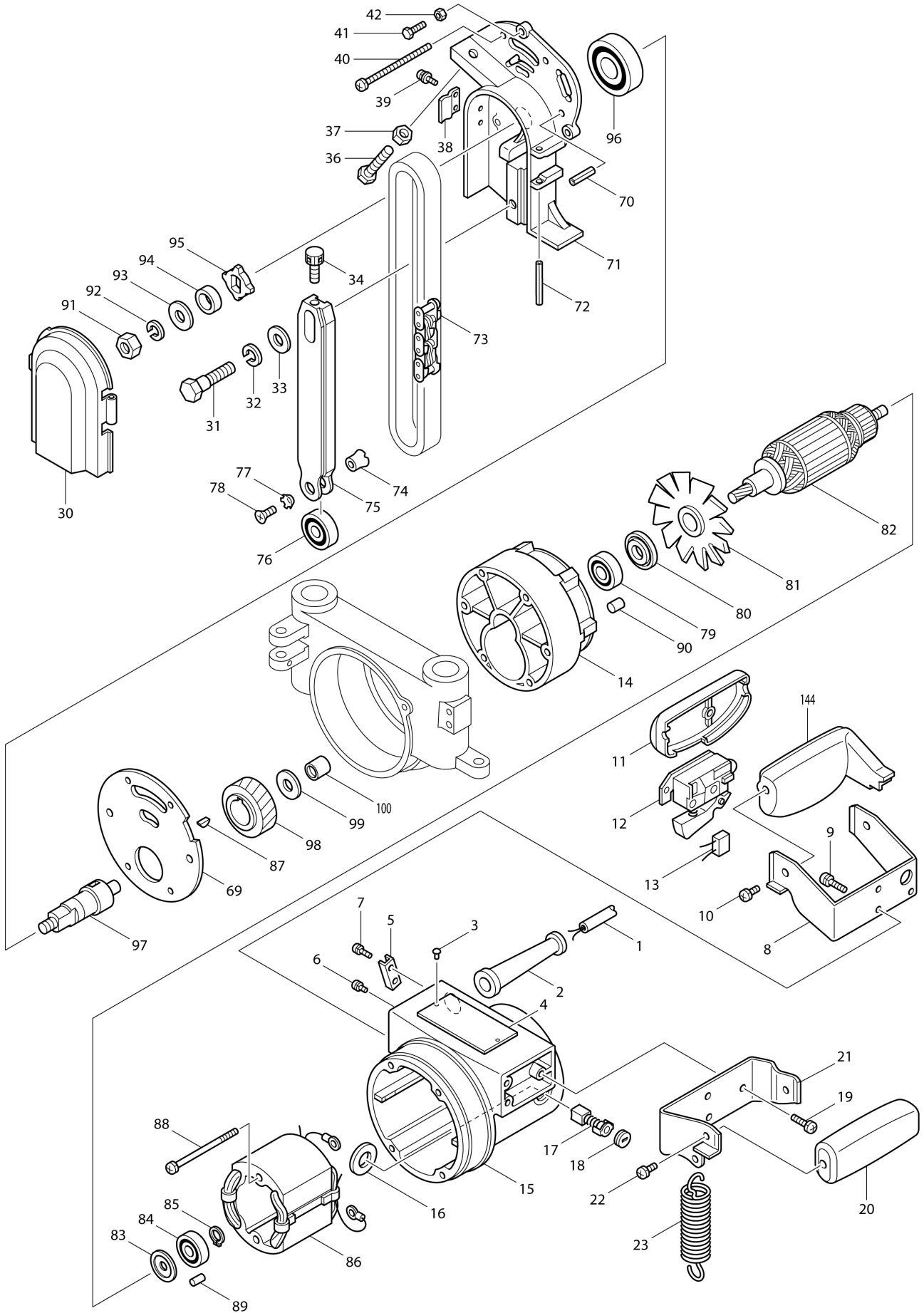
Diagram / Parts List

7104L

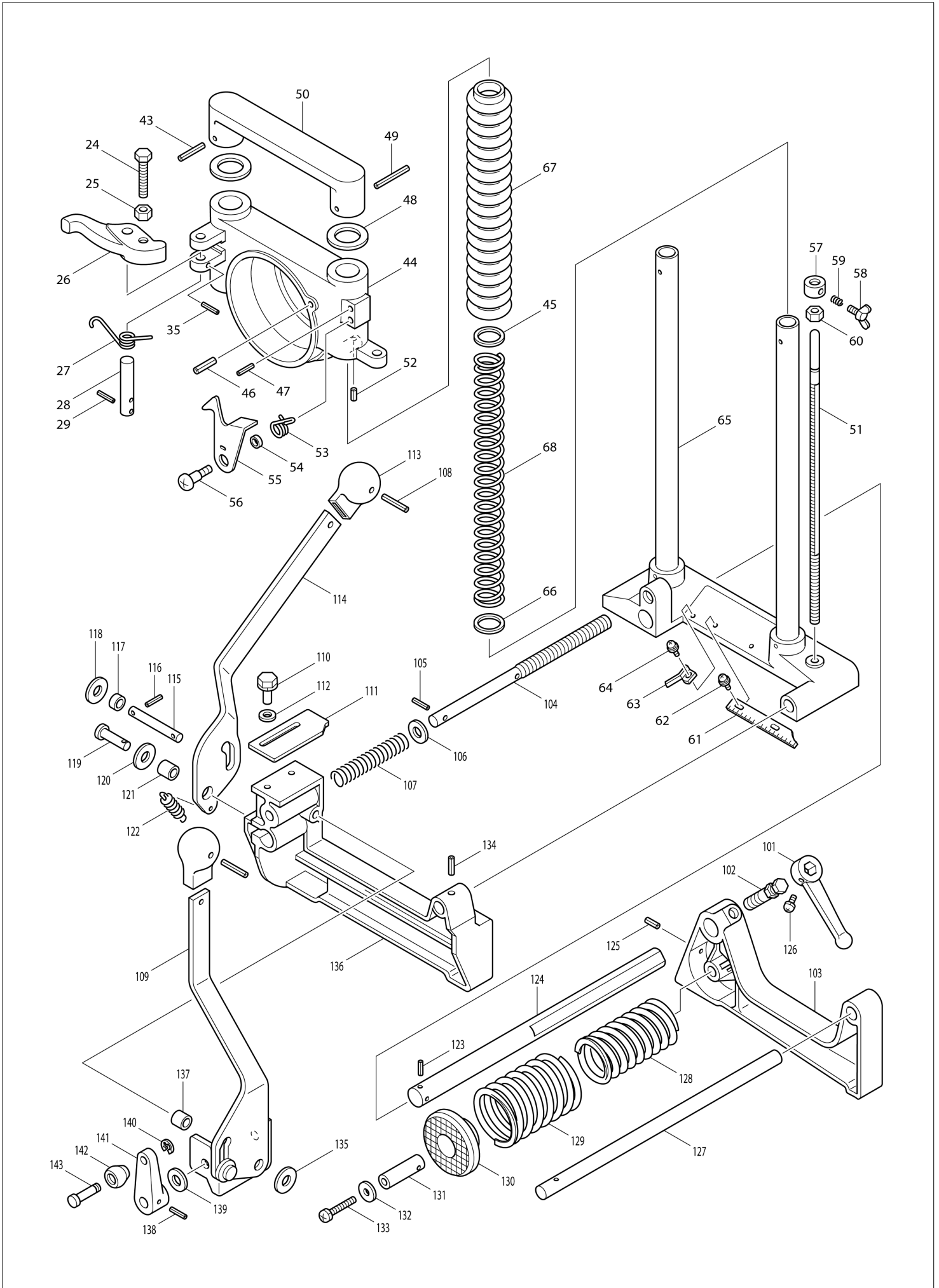
CHAIN MORTISER



(IN) 7104L / CHAIN MORTISER



(IN) 7104L / CHAIN MORTISER



IN

INDIA

7104L / CHAIN MORTISER

| Item | Sub | Parts No. | Parts Description | Qty | I/C | E/C No. | Close No. | Remark |
|-------|-----|-----------|------------------------------|-----|-----|---------|-----------|--------|
| 001 | | 666365-6 | POWER SUPPLY CORD 1.00-3-5.0 | 1 | | | | |
| 002 | | 682503-2 | CORD GUARD 8-90 | 1 | | | | |
| 003 | | 953106-2 | RIVET 0-5 | 2 | | | | |
| 004 | | 856822-4 | NAME PLATE 7104L | 1 | | | | |
| 005 | | 687001-1 | STRAIN RELIEF | 1 | | | | |
| 006 | | 652014-1 | PAN HEAD SCREW M4X8 | 1 | | | | |
| 007A | | 911123-8 | PAN HEAD SCREW M4X14 | 2 | | | | |
| 008 | | 341570-3 | GRIP HOLDER R | 1 | | | | |
| 009 | | 911226-8 | PAN HEAD SCREW M5X18 | 3 | | | | |
| 010 | | 911206-4 | PAN HEAD SCREW M5X10 | 2 | | | | |
| 011 | | 181298-9 | SWITCH CASE SET | 1 | | | | |
| | D10 | | INC. 144 | | | | | |
| 012 | | 651024-5 | SWITCH HPAH6-2S | 1 | | | | |
| 014 | | 157044-2 | GEAR HOUSING | 1 | | | | |
| | D10 | | INC. 90 | | | | | |
| 015-1 | | 142201-5 | MOTOR HOUSING COMPLETE | 1 | | | | |
| | C10 | 643653-8 | BRUSH HOLDER 6.5-13.5 | 2 | | | | |
| | C20 | 913206-0 | SET SCREW M5X8 | 2 | | | | |
| | D10 | | INC. 89 | | | | | |
| 016 | | 681002-1 | INSULATION WASHER | 2 | | | | |
| 017-2 | | 194985-1 | CARBON BRUSH SET CB-153 | 1 | | | | |
| 018-1 | | 643650-4 | BRUSH HOLDER CAP 6.5-13.5 | 2 | | | | |
| 019 | | 911226-8 | PAN HEAD SCREW M5X18 | 3 | | | | |
| 020 | | 273416-4 | GRIP 25 | 1 | | | | |
| 021 | | 341571-1 | GRIP HOLDER L | 1 | | | | |
| 022 | | 911206-4 | PAN HEAD SCREW M5X10 | 2 | | | | |
| 023 | | 231747-7 | TENSION SPRING 20 | 1 | | | | |
| 024 | | 265254-8 | HEX. BOLT M8X44 | 1 | | | | |
| 025-1 | | 931402-8 | HEX. NUT M8 | 1 | | | | |
| 026 | | 331162-6 | LEVER C | 1 | | | | |
| 027 | | 231551-4 | TORSION SPRING 12 | 1 | | | | |
| 028 | | 256114-5 | PIN 10 | 1 | | | | |
| 029 | | 951116-3 | SPRING PIN 4-20 | 1 | | | | |
| 030 | | 341746-2 | CHAIN COVER | 1 | | | | |
| 031 | | 265253-0 | HEX. BOLT M10 | 1 | | | | |
| 032 | | 942253-4 | SPRING WASHER 10 | 1 | | | | |
| 033 | | 941252-3 | FLAT WASHER 10 | 1 | | | | |
| 034 | | 251852-4 | SCREW M8X28 | 1 | | | | |
| 035 | | 951116-3 | SPRING PIN 4-20 | 1 | | | | |
| 036 | | 265254-8 | HEX. BOLT M8X44 | 1 | | | | |
| 037-1 | | 931402-8 | HEX. NUT M8 | 1 | | | | |
| 038 | | 232068-0 | LEAF SPRING | 1 | | | | |
| 039 | | 911109-2 | PAN HEAD SCREW M4X8 | 2 | | | | |
| 040 | | 911908-2 | PAN HEAD SCREW M5X80 | 4 | | | | |
| 041 | | 921222-8 | HEX. BOLT M5X16 | 3 | | | | |
| 042 | | 931202-6 | HEX. NUT M5 | 3 | | | | |
| 043 | | 951172-3 | SPRING PIN 5-32 | 1 | | | | |
| 044-1 | | 310568-1 | FRONT HOUSING | 1 | | | | |
| 045 | | 253042-5 | FLAT WASHER 24 | 2 | | | | |
| 046 | | 951213-5 | SPRING PIN 6-24 | 1 | | | | |
| 047 | | 951116-3 | SPRING PIN 4-20 | 1 | | | | |
| 048 | | 261022-7 | RUBBER WASHER 24 | 2 | | | | |
| 049 | | 951181-2 | SPRING PIN 5-45 | 1 | | | | |
| 050-1 | | 319052-3 | CARRY HANDLE | 1 | | | | |
| 051 | | 325057-3 | DEPTH GAUGE | 1 | | | | |
| 052 | | 951151-1 | SPRING PIN 5-12 | 1 | | | | |
| 053 | | 231543-3 | TORSION SPRING 13 | 1 | | | | |
| 054 | | 257005-3 | RING 8 | 1 | | | | |
| 055 | | 341585-0 | HOOK | 1 | | | | |
| 056 | | 251215-4 | + PAN HEAD SCREW M6 | 1 | | | | |
| 057 | | 252409-4 | NUT M10-20 | 1 | | | | |
| 058 | | 924316-8 | WING BOLT M6X15 | 1 | | | | |
| 059 | | 231005-1 | COMPRESSION SPRING 7 | 1 | | | | |
| 060-1 | | 931402-8 | HEX. NUT M8 | 1 | | | | |
| 061 | | 816045-6 | INDICATION PLATE | 1 | | | | |

A:7104L(H)

Interchange

O : Yes

X : No

< : the new part can be substituted for the current.

> : the current part can be substituted for the new.

S : Interchangeable as a set.

IN

INDIA

7104L / CHAIN MORTISER

| Item | Sub | Parts No. | Parts Description | Qty | I/C | E/C No. | Close No. | Remark |
|-------|-----|-----------|-------------------------------|-----|-----|---------|-----------|--------|
| 062 | | 911109-2 | PAN HEAD SCREW M4X8 | 2 | | | | |
| 063 | | 341588-4 | INDICATOR PLATE | 1 | | | | |
| 064 | | 911109-2 | PAN HEAD SCREW M4X8 | 1 | | | | |
| 065-1 | | 142198-8 | BASE COMPLETE | 1 | | | | |
| | C10 | 951172-3 | SPRING PIN 5-32 | 2 | | | | |
| 066 | | 253042-5 | FLAT WASHER 24 | 2 | | | | |
| 067 | | 411723-9 | BELLOWS | 2 | | | | |
| 068 | | 231289-1 | COMPRESSION SPRING 25 | 2 | | | | |
| 069 | | 341745-4 | DISC | 1 | | | | |
| 070 | | 951213-5 | SPRING PIN 6-24 | 2 | | | | |
| 071-1 | | 310569-9 | CHAIN BAR HOLDER | 1 | | | | |
| 072 | | 951178-1 | SPRING PIN 5-40 | 1 | | | | |
| 073-1 | | A-16570 | CUTTER CHAIN 16.5 | 1 | | | | |
| 074 | | 325330-1 | HEAD SHAFT | 1 | | | | |
| 075 | | 133571-3 | CHAIN BAR ASS'Y F/15-24MM | 1 | | | | |
| | D10 | | INC. 74,76-78 | | | | | |
| 076 | | 211076-4 | BALL BEARING 1008LL | 1 | | | | |
| 077 | | 943152-3 | TOOTHED LOCK WASHER 6 | 1 | | | | |
| 078 | | 251258-6 | + COUNTERSUNK HEAD SCREW M6X1 | 1 | | | | |
| 079 | | 211106-1 | BALL BEARING 6201LLB | 1 | | | | |
| 080 | | 213102-5 | DUST SEAL 12 | 1 | | | | |
| 081-1 | | 241513-4 | FAN 92 | 1 | | | | |
| 082 | | 514614-4 | ARMATURE ASS'Y 230V-250V | 1 | | | | |
| | D10 | | INC. 79,80,81,83,84 | | | | | |
| 083 | | 213051-6 | DUST SEAL 10 | 1 | | | | |
| 084 | | 211066-7 | BALL BEARING 6200LLB | 1 | | | | |
| 086 | | 524569-5 | FIELD ASS'Y 240V | 1 | | | | |
| | C10 | 654020-2 | RING TERMINAL | 2 | | | | |
| | C20 | 654502-4 | CONNECTOR P-2 | 2 | | | | |
| 087 | | 254001-2 | WOODRUFF KEY 4 | 1 | | | | |
| 088-1 | | 911300-2 | PAN HEAD SCREW M5X75 | 2 | | | | |
| 089 | | 263002-9 | RUBBER PIN 4 | 1 | | | | |
| 090 | | 263005-3 | RUBBER PIN 6 | 1 | | | | |
| 091-1 | | 931502-4 | HEX. NUT M10 | 1 | | | | |
| 092 | | 942253-4 | SPRING WASHER 10 | 1 | | | | |
| 093 | | 941252-3 | FLAT WASHER 10 | 1 | | | | |
| 094 | | 257017-6 | RING 15 | 1 | | | | |
| 095 | | 221501-7 | SPROCKET 4 | 1 | | | | |
| 096 | | 211311-0 | BALL BEARING 6304LLB | 1 | | | | |
| 097 | | 321373-1 | SPINDLE | 1 | | | | |
| 098 | | 221671-2 | HELICAL GEAR 47 | 1 | | | | |
| 099 | | 253197-6 | FLAT WASHER 10 | 1 | | | | |
| 100 | | 212066-0 | NEEDLE BEARING 1015 | 1 | | | | |
| 101 | | 133014-5 | LEVER 98 ASS'Y | 1 | | | | |
| | D10 | | INC. 126 | | | | | |
| 102 | | 265235-2 | HEX. BOLT M12X34 | 1 | | | | |
| 103-1 | | 319050-7 | WISE ELEMENT | 1 | | | | |
| 104 | | 321380-4 | SCREW M14 | 1 | | | | |
| 105 | | 951116-3 | SPRING PIN 4-20 | 1 | | | | |
| 106 | | 253180-3 | FLAT WASHER 10 | 1 | | | | |
| 107 | | 231287-5 | COMPRESSION SPRING 10 | 1 | | | | |
| 108-1 | | 951172-3 | SPRING PIN 5-32 | 2 | | | | |
| 109 | | 154282-7 | LEVER B COMPLETE | 1 | | | | |
| | C10 | 253808-3 | FLAT WASHER 9 | 1 | | | | |
| | C20 | 257075-2 | RING 9 | 1 | | | | |
| 110 | | 921421-2 | HEX. BOLT M8X16 | 2 | | | | |
| 111 | | 341587-6 | STOPPER | 1 | | | | |
| 112 | | 941201-0 | FLAT WASHER 8 | 2 | | | | |
| 113 | | 271610-2 | KNOB 40 | 2 | | | | |
| 114 | | 341569-8 | CLAMP LEVER | 1 | | | | |
| 115 | | 256106-4 | PIN 9 | 1 | | | | |
| 116 | | 951116-3 | SPRING PIN 4-20 | 2 | | | | |
| 117 | | 257075-2 | RING 9 | 1 | | | | |
| 118 | | 253808-3 | FLAT WASHER 9 | 1 | | | | |
| 119 | | 256623-4 | PIN 9 | 1 | | | | |

A:7104L(H)

Interchange

O : Yes

X : No

< : the new part can be substituted for the current.

> : the current part can be substituted for the new.

S : Interchangeable as a set.

