



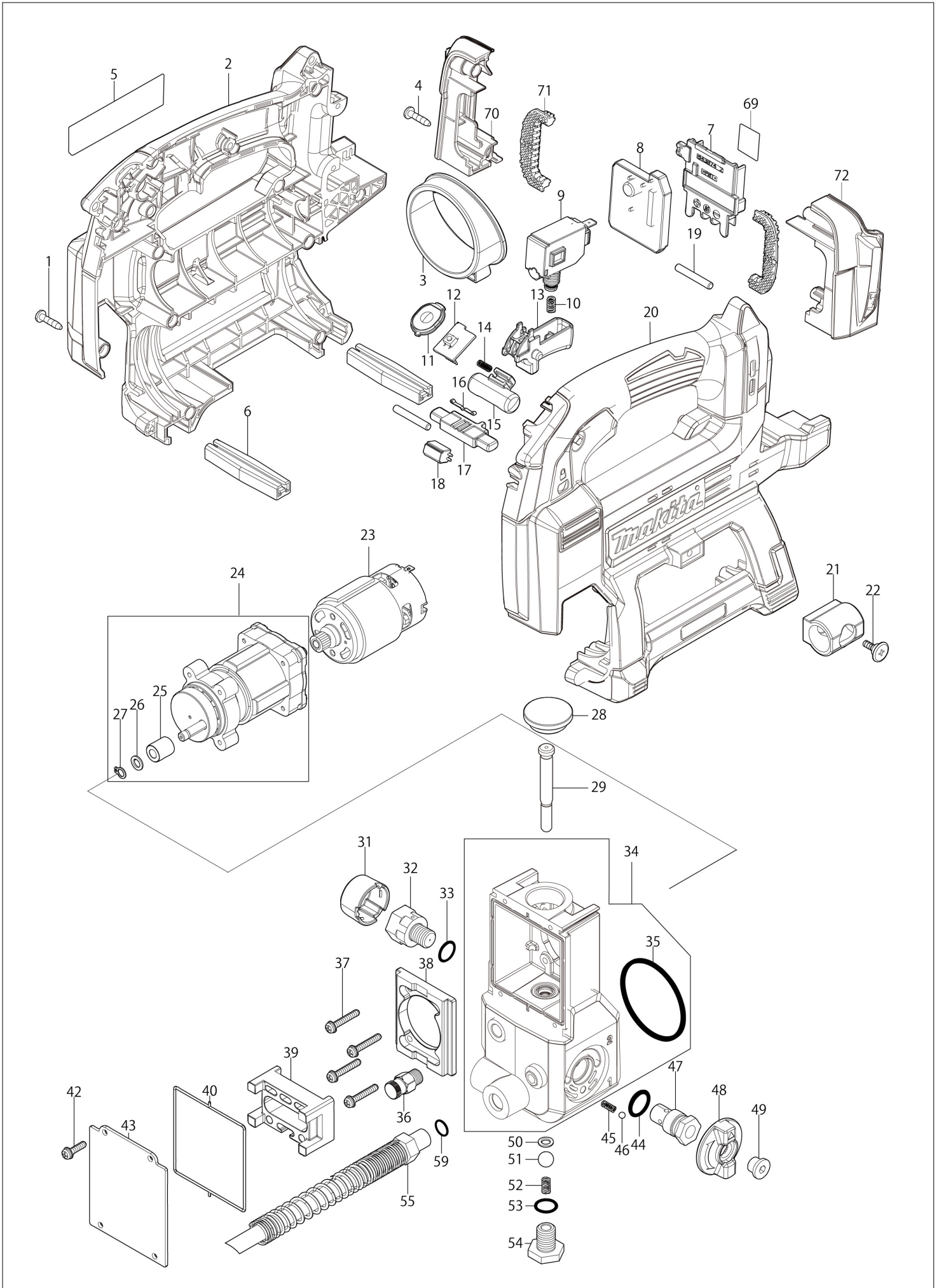
Diagram / Parts List

DGP180

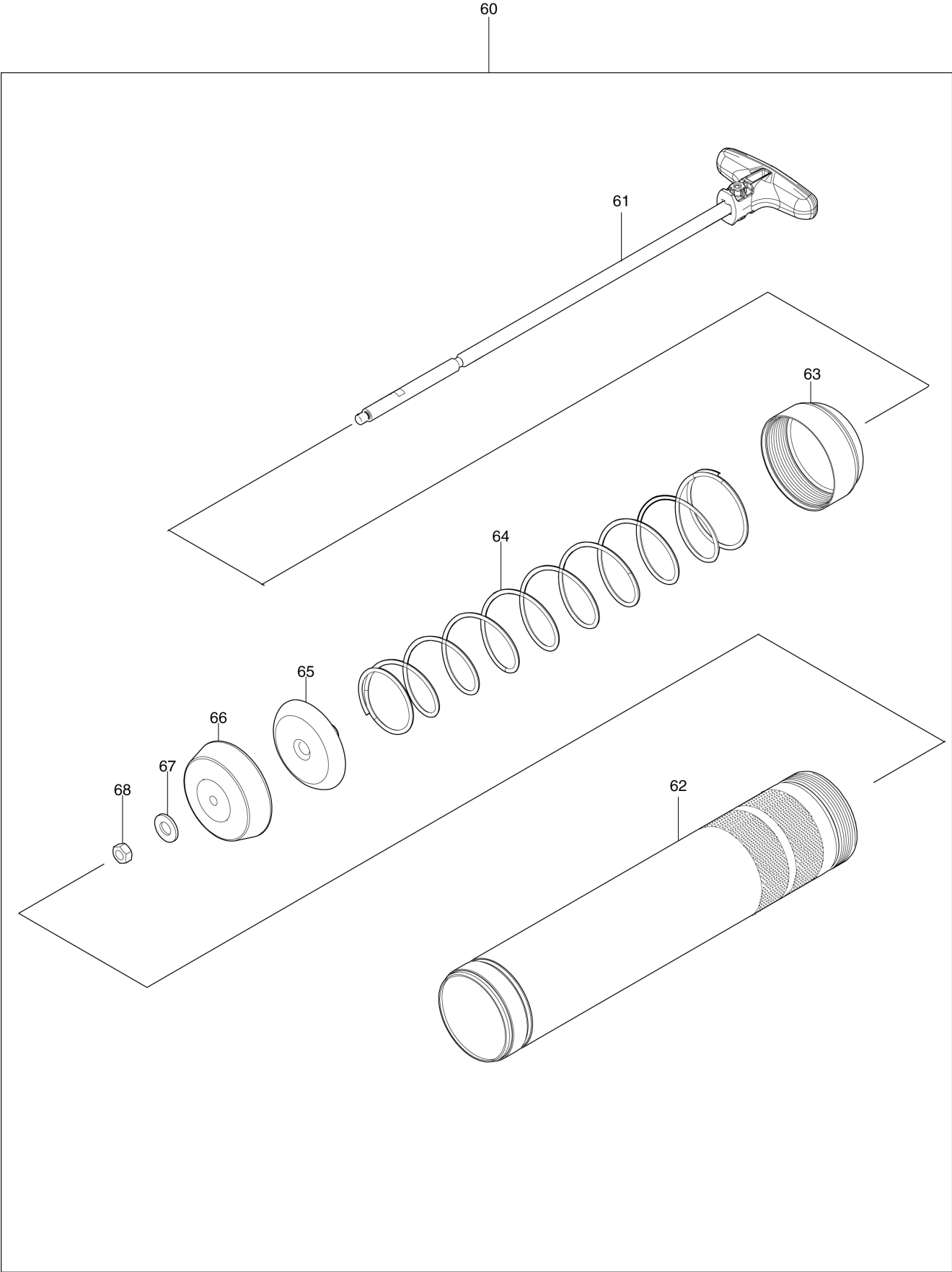
CORDLESS GREASE GUN



(IN) DGP180 / CORDLESS GREASE GUN



(IN) DGP180 / CORDLESS GREASE GUN



IN

INDIA

DGP180 / CORDLESS GREASE GUN

Item	Sub	Parts No.	Parts Description	Qty	I/C	E/C No.	Close No.	Remark
001		265995-6	TAPPING SCREW 4X18	13				
002		183R38-9	HOUSING SET	1				
	C10	263002-9	RUBBER PIN 4	2				
	C20	252126-6	HEX. LOCK NUT M4-7	2				
	D10		INC. 20					
003		459621-9	BARREL HOLDER	1				
004		265995-6	TAPPING SCREW 4X18	2				
005		856C52-5	DGP180 NAME PLATE	1				
006		422479-9	FOOT	2				
007		644809-6	TERMINAL	1				
008		620A91-7	CONTROLLER	1				
009		651391-8	SWITCH C3JW-6BM-PN	1				
010		233306-3	COMPRESSION SPRING 4	1				
011		140M75-6	SWITCH PLATE COMPLETE	1				
	C10	819V26-1	SWITCH LABEL	1				
012		620A89-4	SWITCH CIRCUIT	1				
013		459623-5	SWITCH LEVER	1				
014		231433-0	COMPRESSION SPRING 4	1				
015		419705-5	LOCK ON BUTTON	1				
016		232201-4	LEAF SPRING	1				
017		459624-3	LOCK OFF BUTTON	1				
018		620A90-9	LED CIRCUIT	1				
019		268306-4	PIN 5	2				
020		183R38-9	HOUSING SET	1				
	C10	263002-9	RUBBER PIN 4	2				
	C20	252126-6	HEX. LOCK NUT M4-7	2				
	D10		INC. 2					
021		422643-2	HOSE HOLDER	1				
022		265B56-4	+FLAT HEAD SCREW M4X14	1				
023		629386-9	DC MOTOR	1				
024		136124-7	GEAR ASSEMBLY	1				
	D10		INC. 25-27					
025		214079-7	PLANE BEARING 6	1				
026		253477-0	FLAT WASHER 6	1				
027		961002-0	RETAINING RING S-6	1			D6566	
027-1		961022-4	RETAINING RING (EXT) ROUND S-6	1	O	D6566		
028		286043-8	CAP 32	1				
029		256951-7	SHOULDER PIN 7-8	1				
031		459622-7	VALVE COVER	1				
032		140M83-7	RELIEF VALVE COMPLETE	1				
033		213918-8	O-RING 12.5	1				
034		136128-9	PUMP HOUSING ASSY	1			DA814	
	C10	265A55-0	H.S.SET SCREW(FLAT POINT)NPT1/	1			D8515	
	C11	265A55-0	H.S.SET SCREW(FLAT POINT)NPT1/	1	O	D8515	DA814	
	D10		INC. 35				DA814	
034-1		136128-9	PUMP HOUSING ASSY	1	O	DA814		
	C11	265A55-0	H.S.SET SCREW(FLAT POINT)NPT1/	1	O	DA814		
	D10		INC. 35			DA814		
035		422476-5	RUBBER PACKING A	1				
036		162667-3	DRAIN VALVE	1			D8515	
036-1		162667-3	DRAIN VALVE	1	O	D8515	DE063	
036-2		162B92-0	DRAIN VALVE	1	O	DE063		
037		911148-2	PAN HEAD SCREW M4X25	4				
038		310961-9	SLIDER GUIDE	1				
039		310960-1	SLIDER	1				
040		422480-4	SEAL RING	1				
042		911128-8	P.H.SCREW M4X16 WITH WR	4				
043		347546-8	PUMP COVER	1				
044		213182-1	O RING 14	1				
045		233151-6	COMPRESSION SPRING 4	1				
046		216008-6	STEEL BALL 4	1				
047		140M82-9	CHANGE VALVE COMPLETE	1				
048		459620-1	THUMB	1				
049		265A57-6	HEX. SOCKET HEAD BOLT M10X7	1				
050		257494-2	RING 8	1				

A:DGP180Z(N)
B:DGP180RT(H)

Interchange
O : Yes
X : No
< : the new part can be substituted for the current.
> : the current part can be substituted for the new.
S : Interchangeable as a set.

IN	INDIA
----	-------

DGP180 / CORDLESS GREASE GUN

Item	Sub	Parts No.	Parts Description	Qty	I/C	E/C No.	Close No.	Remark
051		216003-6	STEEL BALL 10	1				
052		232557-5	COMPRESSION SPRING 4	1				
053		213918-8	O-RING 12.5	1				
054		265A56-8	HEX BOLT M12X16	1				
055		191A79-9	FLEXIBLE HOSE 1200 SET	1			DA404	
	C10	162662-3	ADAPTER	1			DA404	
055-1		191W58-9	FLEXIBLE HOSE 1200 SET	1	O	DA404		
	C10	191W61-0	ADAPTER SET (1PCS)	1		DA404		
059		213054-0	O RING 9	1				
060		191B12-7	BARREL ASSEMBLY A SET	1				DE321
	D10		INC. 61-68					DE321
060-1		122D16-0	BARREL ASSEMBLY A	1	O	DE321		
	C10	413K05-1	FRONT PLATE A	1	S	DE321		
	D10		INC. 61-68			DE321		
061		140T28-7	SHAFT COMPLETE	1				
	C10	459619-6	LEVER	1				
	C20	951116-3	SPRING PIN 4-20	1				
062		327379-7	BARREL A	1				
063		347543-4	CAP A	1				
064		232684-8	CONICAL SPRING	1				DE321
064-1		232775-5	CONICAL SPRING	1	S	DE321		
065		413459-6	PLATE A	1				
066		422685-6	RUBBER SEAL A	1				
067		253494-0	FLAT WASHER 8	1				DE321
067-1		941201-0	FLAT WASHER 8	1	S	DE321		
068		931302-2	HEX. NUT M6	1				
069		856C61-4	DGP180 SERIAL NO. LABEL	1				
070		187303-0	BATTERY HOUSING SET	1				
	D10		INC. 72					
071		424473-7	CUSHION RUBBER	2				
072		187303-0	BATTERY HOUSING SET	1				
	D10		INC. 70					
A01		166094-6	SHOULDER BELT	1				
A02B		821840-1	PLASTIC CARRYING CASE	1				
	C10	162271-8	LATCH	2				
A03B		***DC18RC	DC18RC FAST CHARGER	1				
	D10		COMPO-PARTS					
A04B		198013-4	BATTERY BL1850B SET	1				
F01		191A76-5	LOCK ON ADAPTER SET	1				DV937
F01-1		1915N4-2	LOCK ON ADAPTER SET	1	O	DV937		
F02		191A77-3	ANGLE ADAPTER SET	1				
F03		191W60-2	ADAPTER SET (3PCS)	1		DA404		
F04		191W58-9	FLEXIBLE HOSE 1200 SET	1		DA404		
F05		191W59-7	FLEXIBLE HOSE 600 SET	1		DA404		
F06		1910X0-0	BARREL ASSEMBLY A SET	1		DE321		
F08		1910X3-4	BARREL ASSEMBLY C SET	1		DE321		
F09		191F24-4	CARTRIDGE BARREL A SET	1				
F10		1910X4-2	CARTRIDGE BARREL B SET	1		DE321		
F11		191F27-8	CARTRIDGE BARREL C SET	1				
F12		191W61-0	ADAPTER SET (1PCS)	1		DA404		
F13		1910X1-8	BARREL ASSEMBLY B SET	1		DE321		
F15		1910T7-8	BARREL ASSEMBLY C SET	1		DE321		
F17		1910T3-6	CARTRIDGE BARREL ASSY A SET	1		DE321		
F18		1910T4-4	CARTRIDGE BARREL ASSY B SET	1		DE321		
F19		1910T5-2	CARTRIDGE BARREL ASSY C SET	1		DE321		
F20		1910T6-0	CARTRIDGE BARREL ASSY C SET	1		DE321		
F21		1911M9-1	EXTENSION PIPE SET	1		DK670		
F23		1914G9-7	LOADER FITTING SET	1		DT887		

A:DGP180Z(N)
B:DGP180RT(H)

Interchange
O : Yes
X : No
< : the new part can be substituted for the current.
> : the current part can be substituted for the new.
S : Interchangeable as a set.