

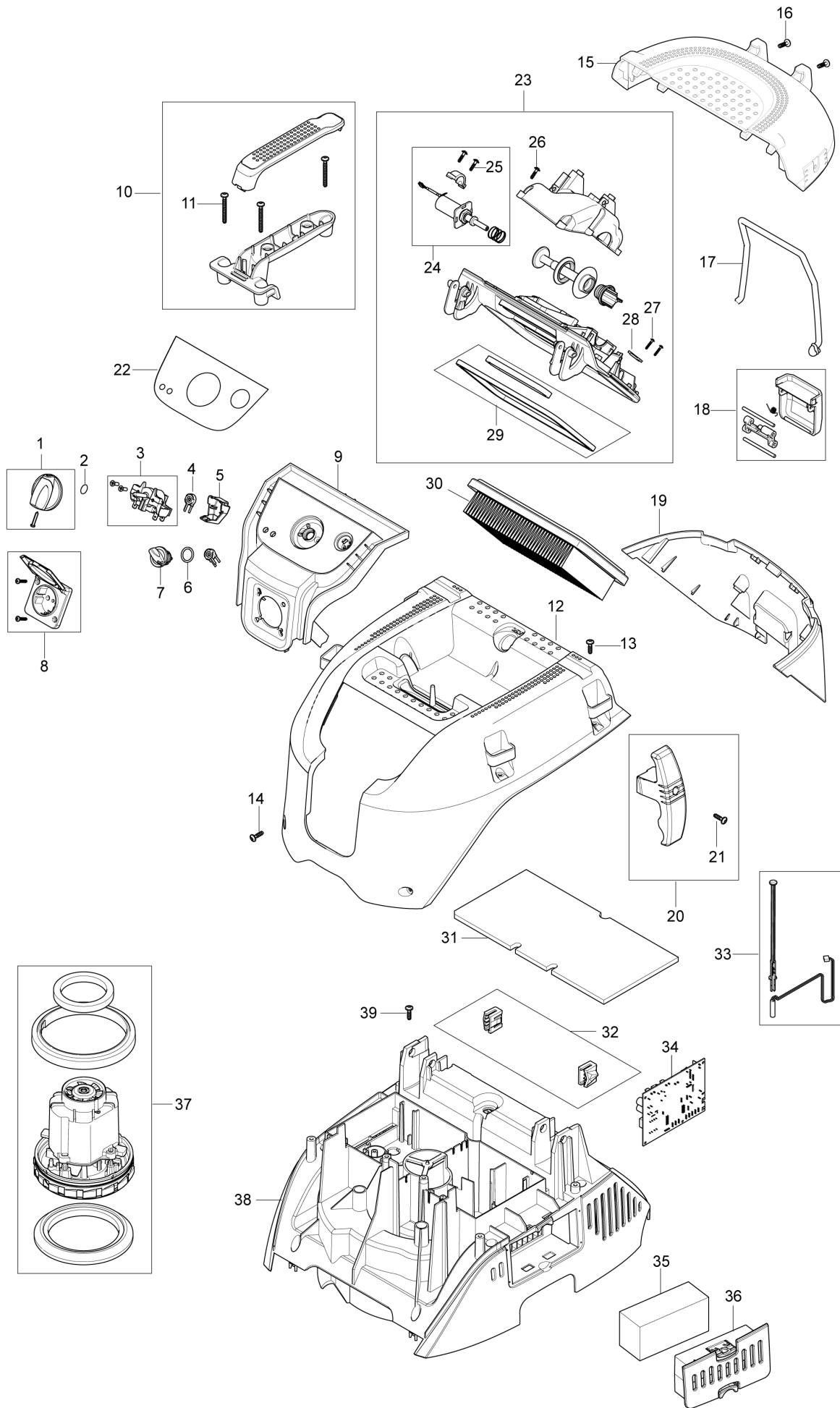


# Diagram / Parts List

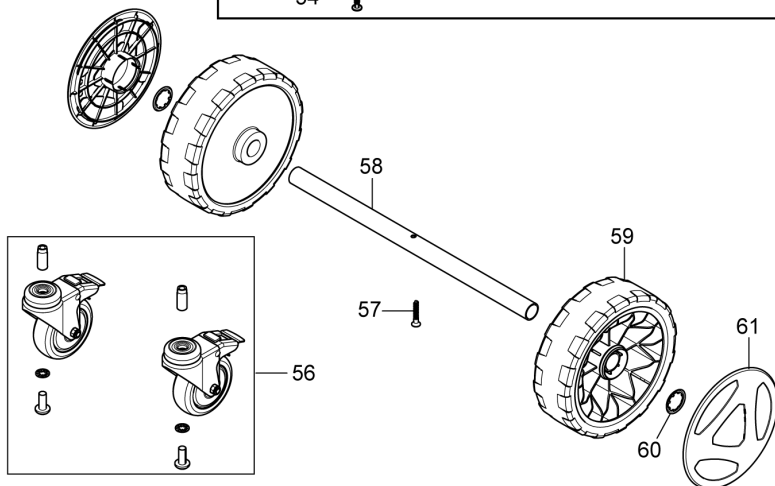
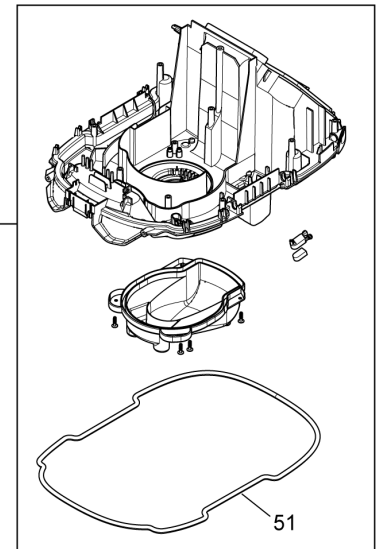
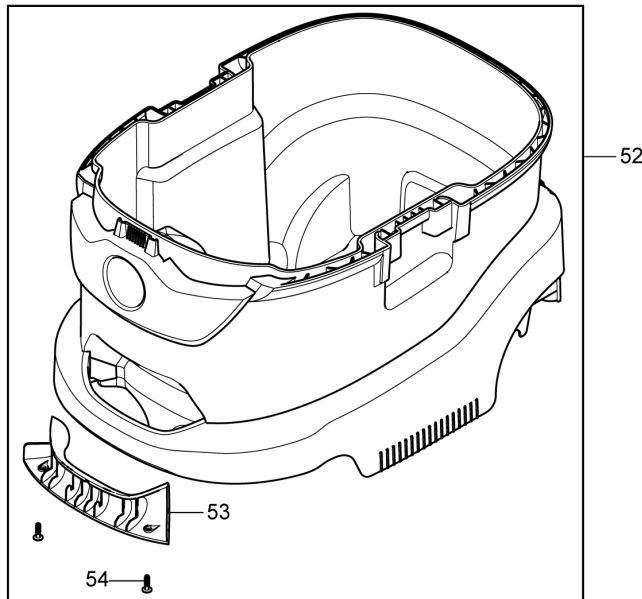
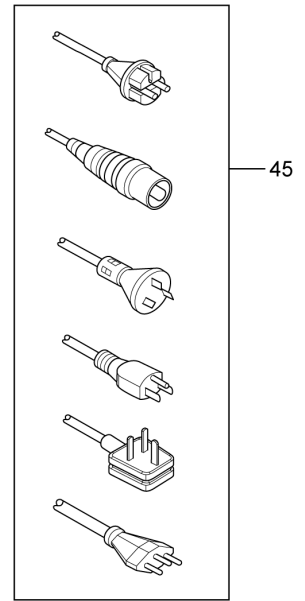
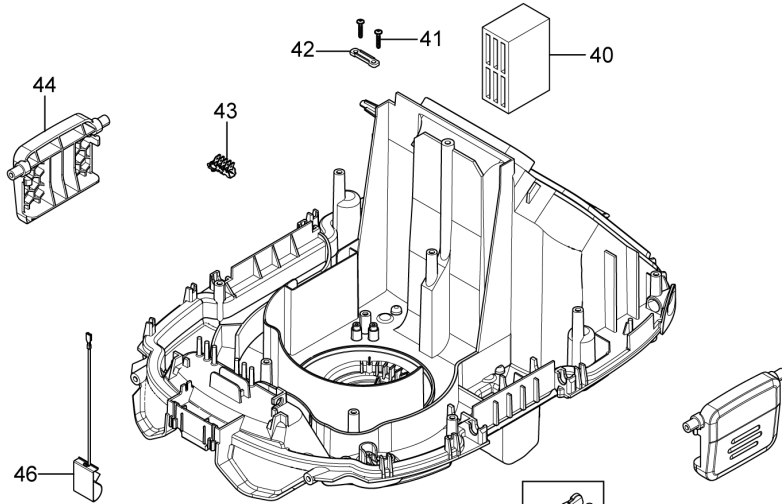
**VC4210L**  
**VACUUM CLEANER**



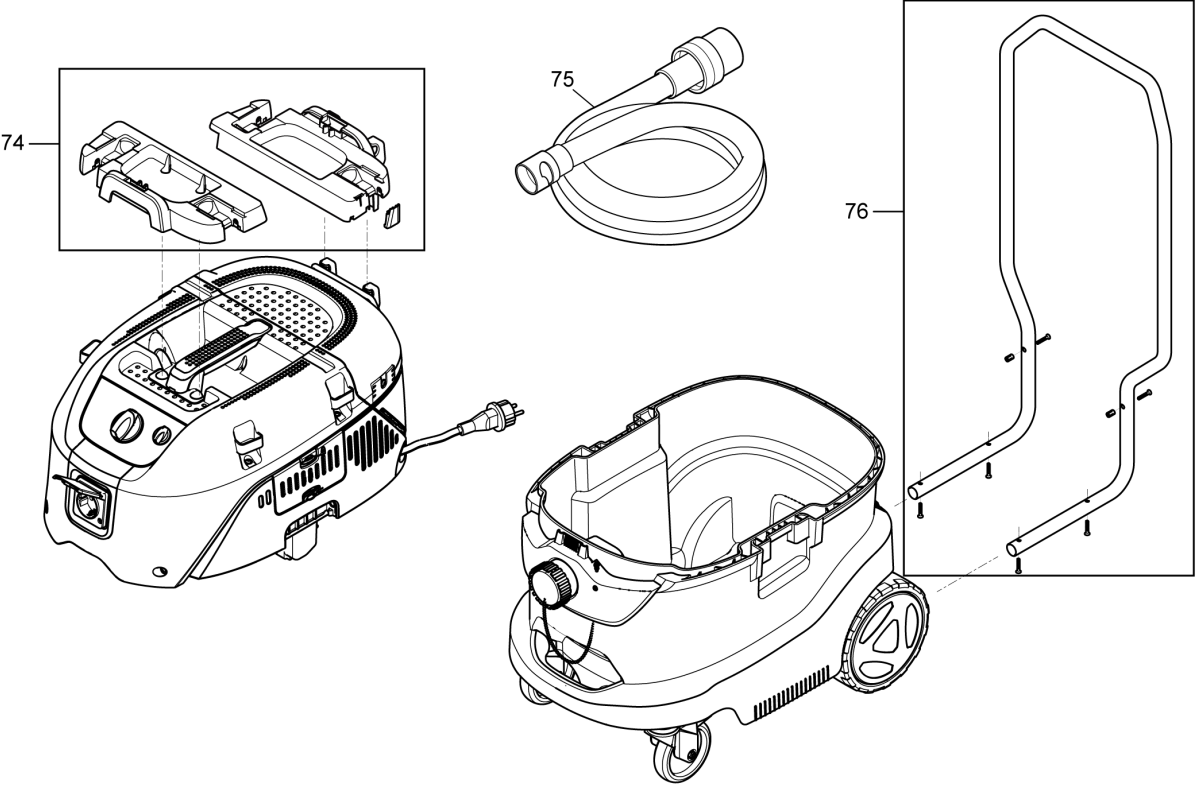
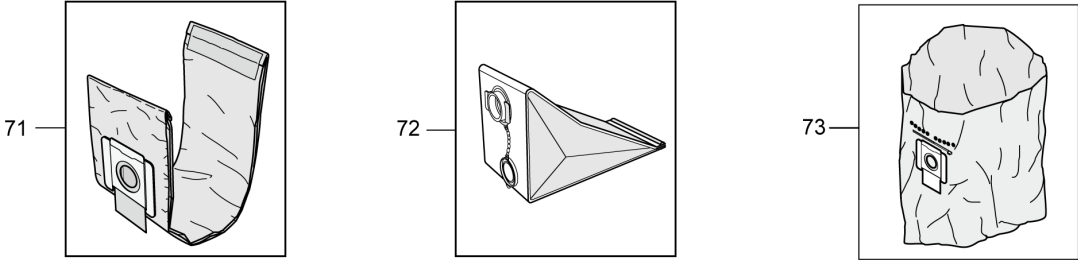
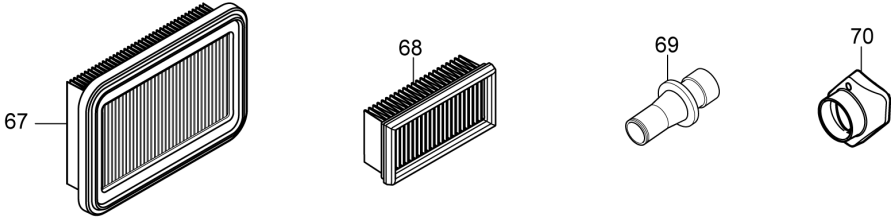
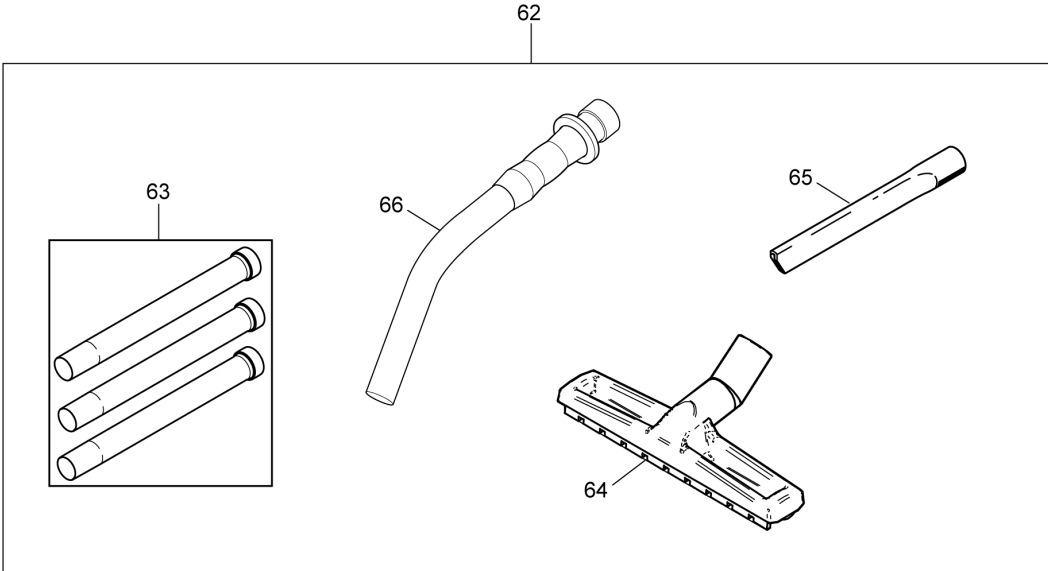
(IN) VC4210L / VACUUM CLEANER



(IN) VC4210L / VACUUM CLEANER



(IN) VC4210L / VACUUM CLEANER



## VC4210L / VACUUM CLEANER

Item	Sub	Parts No.	Parts Description	Qty	I/C	E/C No.	Close No.	Remark
001		W909100222	SWITCH KNOB MAKITA BLUE	1				
002		W9868	O-RING 10x2.5 NBR70	1				
003		W107415085	ROTARY SWITCH 5POS. 16A	1				
004		W107415024	POTENTIOMETER	2				
005		W107415080	CAP FOR POTENTIOMETER	1				
007-1		W107416106	SWITCH KNOB	1				
008		W302004034	SOCKET *EU* - CEE7/4	1				
009		W107418664	CONTROL PANEL	1				
010		W107418217	HANDLE KIT	1				
	D10		INC. 11					
011		W128500203	SCREW K50X45	3				
012		W107418665	MAKITA TOP COVER	1				
013		W302004029	SCREW 5X18 TX20	4				
014		W302004029	SCREW 5X18 TX20	2				
015		W107418666	UPPER COVER	1				
016		W302004029	SCREW 5X18 TX20	2				
017		W107415035	CORD STRAP FOR CABLE	1				
018		W107415032	HATCH DOOR CLAMP	1				
019-1		W107415029	LOWER COVER	1				
020		W107415083	HOSE/CABLE HOOK	2				
	D10		INC. 21					
021		W302004029	SCREW 5X18 TX20	2				
022		W107418668	MAKITA CONTROL PANEL LABEL	1				
023-1		W107415027	FILTER RETAINER ASSY 220-240V	1				
	D10		INC. 24,26-29					
024		W107415031	SOLENOID KIT 220-240V	1				
	D10		INC. 25					
025		W302004029	SCREW 5X18 TX20	2				
026		W302004029	SCREW 5X18 TX20	7				
027		W302004032	SCREW 3,5X18 TX10	2				
028		W5697	STRAP 3X8X33	1				
029		W107415090	HATCH DOOR FILTER GASKET	1				
030		W107413540	MAKITA FLAT FILTER	1				
031		W107417101	FOAM SEALING 298X148	1				
032		W107415075	HINGE SNAP 2PCS.	1				
033		W107415060	REED SENSOR	1				
034		W107415094	PCBA AUTO ON/OFF 220-240V	1				
035		W107415096	DIFFUSOR	1				
036-1		W107415052	COVER FOR MOTOR COOLING FILTER	1				
037		W107415055	MOTOR 220-240V	1				
038-1		W107418669	AIRGUIDE	1				
039		W302004029	SCREW 5X18 TX20	10				
040		W107417112	SOUND ABSORBER 83X55X35	1				
041		W302004032	SCREW 3,5X18 TX10	2				
042		W302004030	STRAP FOR CORD	1				
043		W302004031	TERMINAL STRIP 6-POL 16A	1				
044		W107415053	CONTAINER CLAMP	2				
045		W107400573	POWER CORD EU	1				
046		W107417113	CONTACT SPRING W.WIRE	2				
047		W107415063	FLOATER WITH MAGNET	1				
048		W107415061	AIR FLOW COVER KIT	1				
	D10		INC. 49					
049		W1814614	PT-SCREW K50X18 T20	4				
050		W107415074	BASE PLATE ASSEMBLY	1				
	D10		INC. 51					
051		W107415050	CONTAINER SEALING	1				
052		W107418663	MAKITA CONTAINER 42L	1			Y09471	
	D10		INC. 53,54				Y09471	
052-1		W107418663	MAKITA CONTAINER 42L	1	O	Y09471		
	D10		INC. 53,54,56-61			Y09471		
053		W107417124	HANDLE INNER	1				
054		W302004029	SCREW 5X18 TX20	2				
055		W302004200	LABEL >DUST CLASS L<	1				
056		W107417573	CASTOR WHEEL D100 W.BRAKE 2PCS	1				
057		W107417864	SCREW K50X35 T20	1				

A:

Interchange  
O : Yes  
X : No  
< : the new part can be substituted for the current.  
> : the current part can be substituted for the new.  
S : Interchangeable as a set.

