



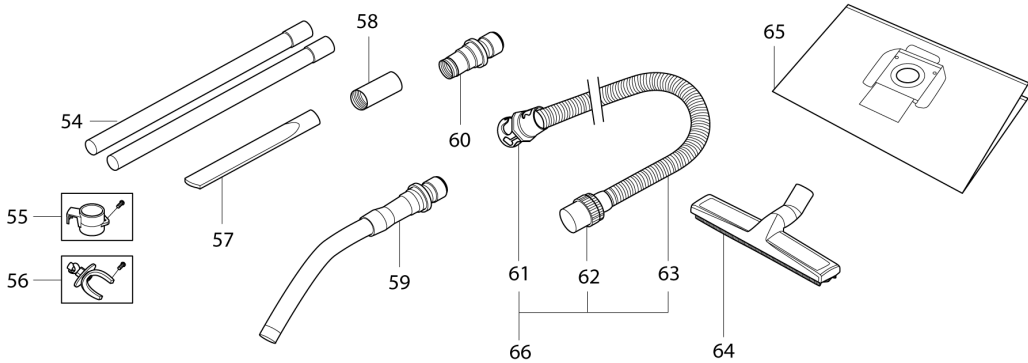
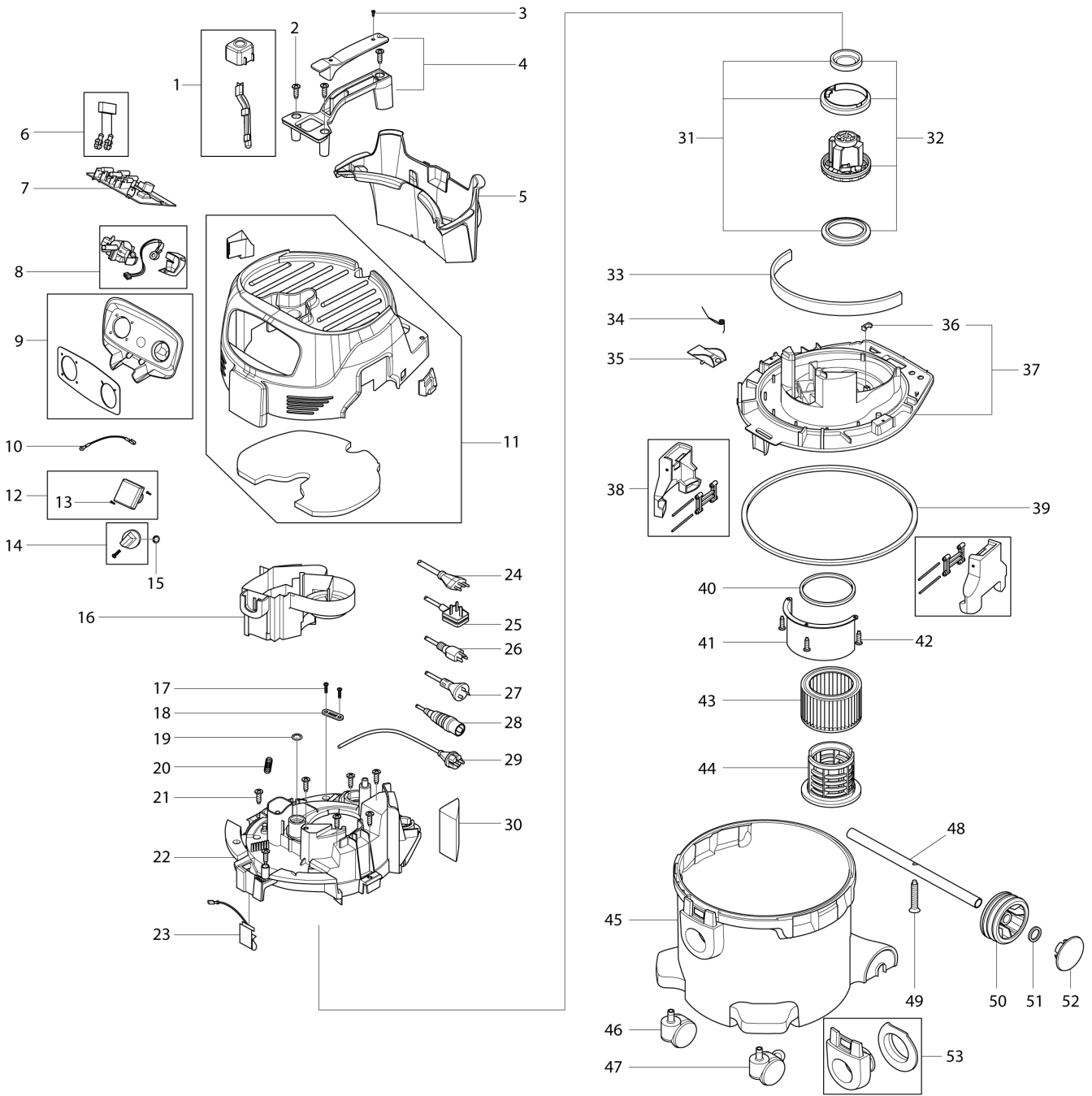
# Diagram / Parts List

**VC3012L**

**VACUUM CLEANER**



# (IN) VC3012L / VACUUM CLEANER



## VC3012L / VACUUM CLEANER

Item	Sub	Parts No.	Parts Description	Qty	I/C	E/C No.	Close No.	Remark
001		W107417282	DEDUSTING KNOB (BLUE) WITH ROD	1				
002		W302004029	SCREW 5X18 TX20	3				
003		W302004032	SCREW 3,5X18 TX10	2				
004		W302004019	HANDLE (KIT)	1				
005		W302004026	TOOLBOX	1				
006		W107404542	CAPACITOR 0.1 MICRO FARAD	1				
007		W107413467	ELECTRONIC AUTO ON/OFF 220-240	1				
008		W107413449	SWITCH KIT WITH POTENTIOMETER	1				
009		W107417283	SWITCHCASE VC3012L	1				
010		W107400264	WIRE 1SQX150 GR/YE	1				
011		W107417284	COVER MAKITA VC3012L/M (KIT)	1				
012		W302004034	SOCKET *EU* - CEE7/4	1				
	D10		INC. 13					
013		W302004032	SCREW 3,5X18 TX10	2				
014		W909100222	SWITCH KNOB MAKITA BLUE	1				
015		W9868	O-RING 10x2.5 NBR70	1				
016		W302004015	AIRFLOW CHANNEL	1				
017		W302004032	SCREW 3,5X18 TX10	2				
018		W302004030	STRAP FOR CORD	1				
019		W302004061	O-RING 25X2 NBR70	1				
020		W302004031	TERMINAL STRIP 6-POL 16A	1				
021		W302004029	SCREW 5X18 TX20	7				
022		W302004009	CLAMPING PLATE MAKITA VC3012	1				
023		W302004023	CONTACT SPRING WITH WIRE	1				
029		W107400573	POWER CORD EU	1				
030		W302004045	SOUND ABSORBER FOR AIR OUTLET	1				
031		W302003385	ELASTIC SUSPENSION (KIT)	1				
032		W302003384	TURBINE 1200W 220-240V (KIT)	1				
033		W302004010	SOUND ABSORBER FOR BASE PLATE	1				
034		W909100083	TORSION SPRING	1				
035		W302000344	FLAP FOR FILTER CLEANING	1				
036		W107401937	PLUG FOR BASE PLATE	1				
037		W302004007	BASE PLATE VC3012	1				
038-1		W107400301	CONTAINER CLAMP	2				
039		W107400056	GASKET FOR CONTAINER	1				
040		W302000460	SEALING RING FOR FILTER	1				
041		W302004016	DEFLECTOR PLATE	1				
042		W302004029	SCREW 5X18 TX20	3				
043		P-70219	FILTER ELEMENT	1				
044		W107402646	KIT FILTER SUPPORT CAGE +FLOAT	1				
045		W107417285	CONTAINER MAKITA VC3012L/M	1				
046-1		W107415105	CASTOR 60	1				
047		W302000557	CASTOR 60 WITH BRAKE	1				
048		W302004022	WHEEL AXLE	1				
049		W107400063	SCREW 5X35	1				
050		W302000465	WHEEL 100	2				
051		W47302	CLAMPING RING FOR WHEEL	2				
052		W107417286	WHEEL CAP MAKITA BLUE	2				
053		W107402742	FITTING WITH CLAMPING PLATE	1				
054		P-70437	EXTEN. TUBES 36X505(SET 2)	1				
055		W302004027	TUBE HOLDER-HOOK (KIT)	1				
056		W302004018	TUBE HOLDER-SNAP (KIT)	1				
057		W6084	CREVICE NOZZLE 35x300	1				
058-1		W107418688	TOOL ADAPTER 38	1				
059		P-70346	CURVED HAND TUBE INOX	1				
060		P-70378	TOOL ADAPTER 27 QUICKSYSTEM	1				
061-1		W107417866	HOSE CONNECTOR CLICK SYSTEM 32	1				
062		W30928	HOSE SLEEVE 32/50 AS	1				
063		W107417287	SUCTION HOSE 32MMx4M BLACK AS	1				
064		P-81789	FLOOR NOZZLE D36X300 WET/DRY	1				
065-2		P-84078	FLEECE FILTER BAG VC3012(5PCS)	1				
066		P-84084	SUCTION HOSE 32MM4M BLK AS CPL	1				
	D10		INC. 61-63					
A01		W107418678	TOOL ADAPTOR 22 REGULATION	1				

A:

Interchange  
 O : Yes  
 X : No  
 < : the new part can be substituted for the current.  
 > : the current part can be substituted for the new.  
 S : Interchangeable as a set.