

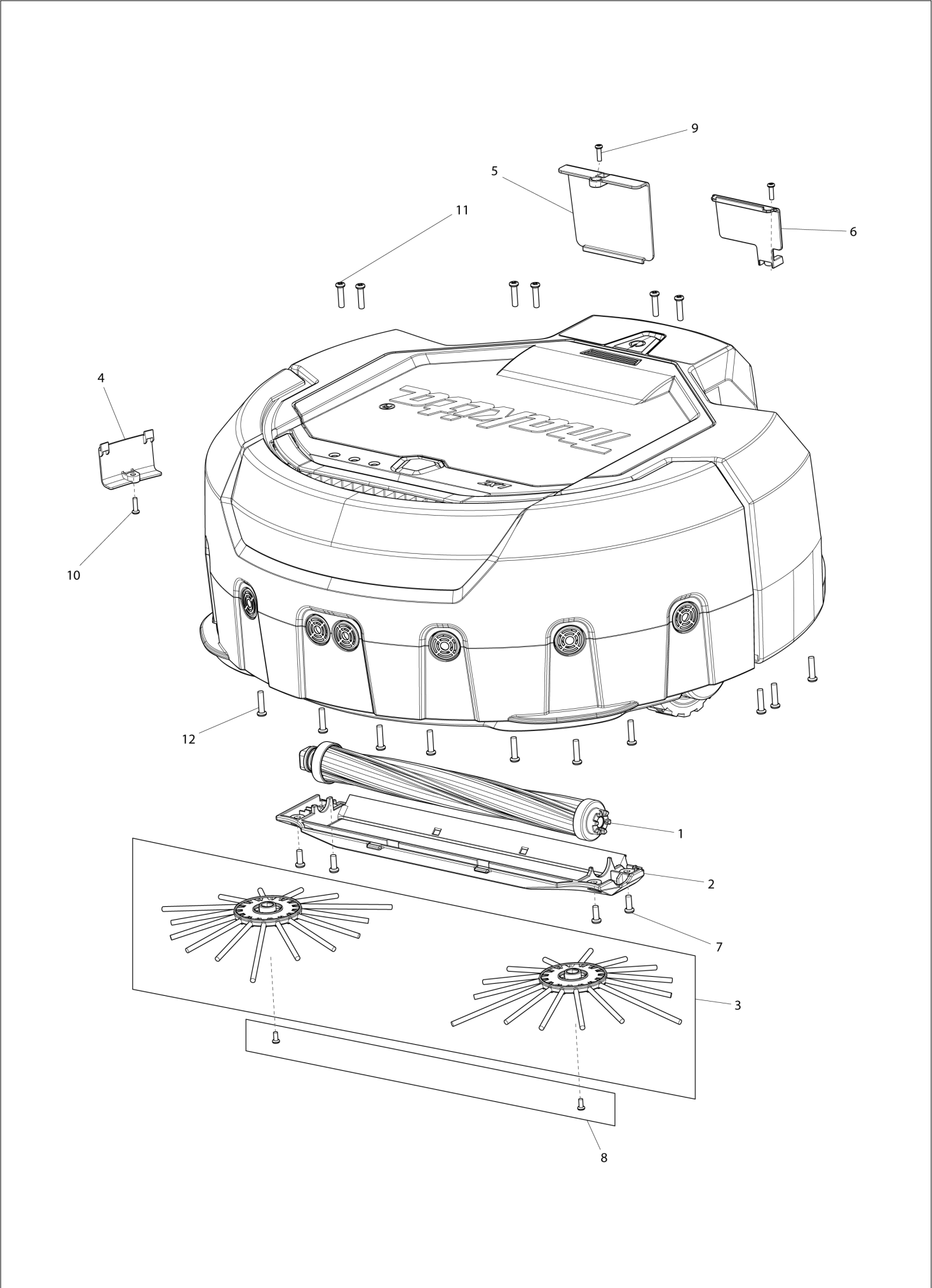


# Diagram / Parts List

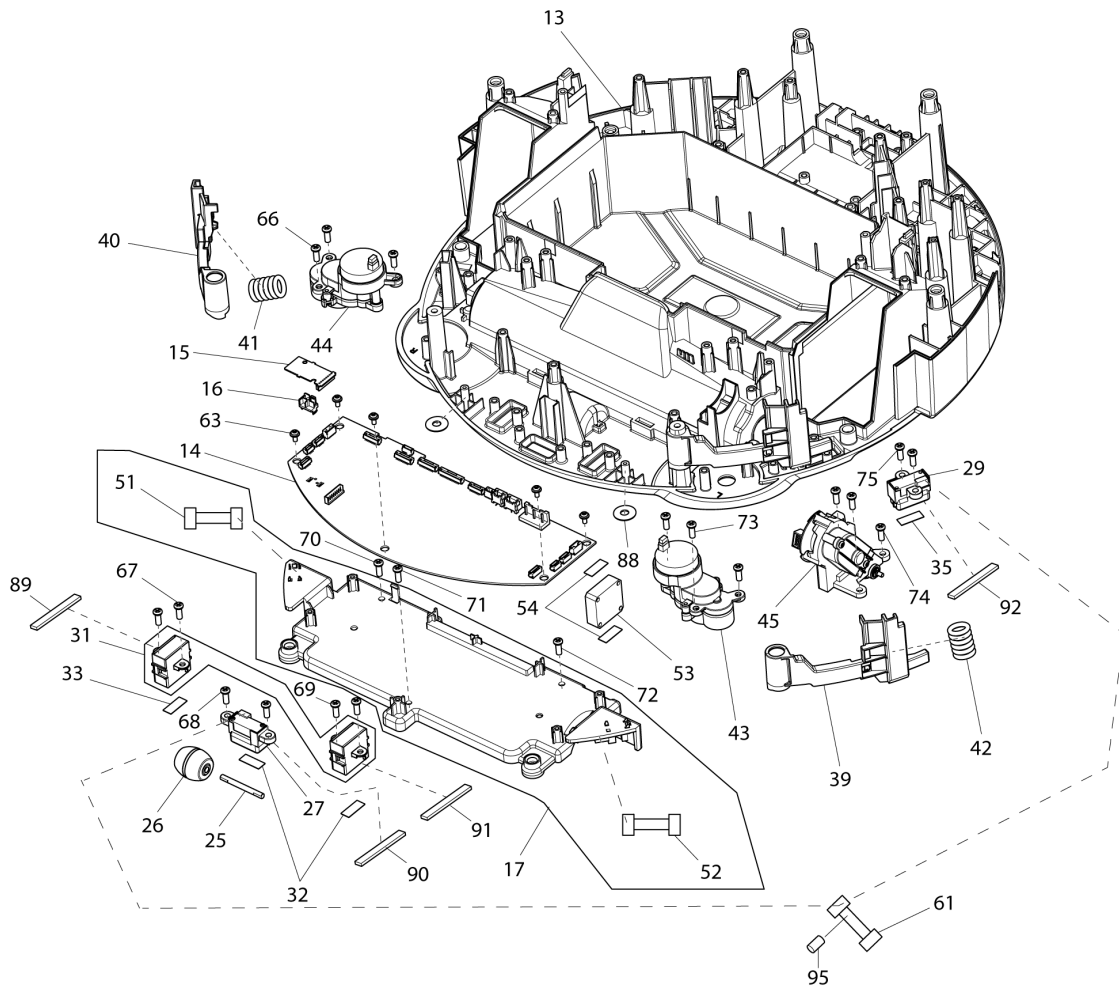
## DRC200 ROBOTIC CLEANER



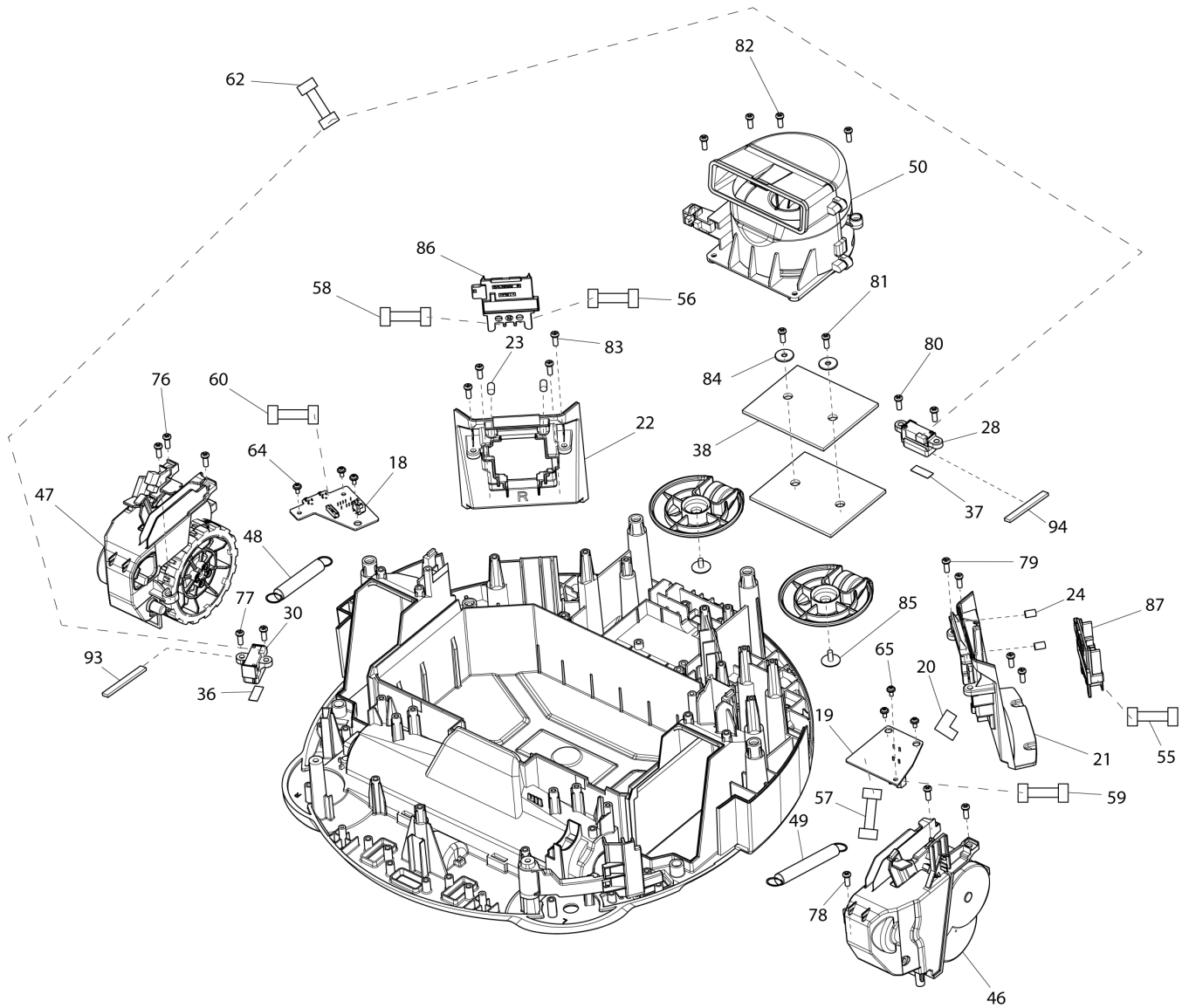
(IN) DRC200 / ROBOTIC CLEANER



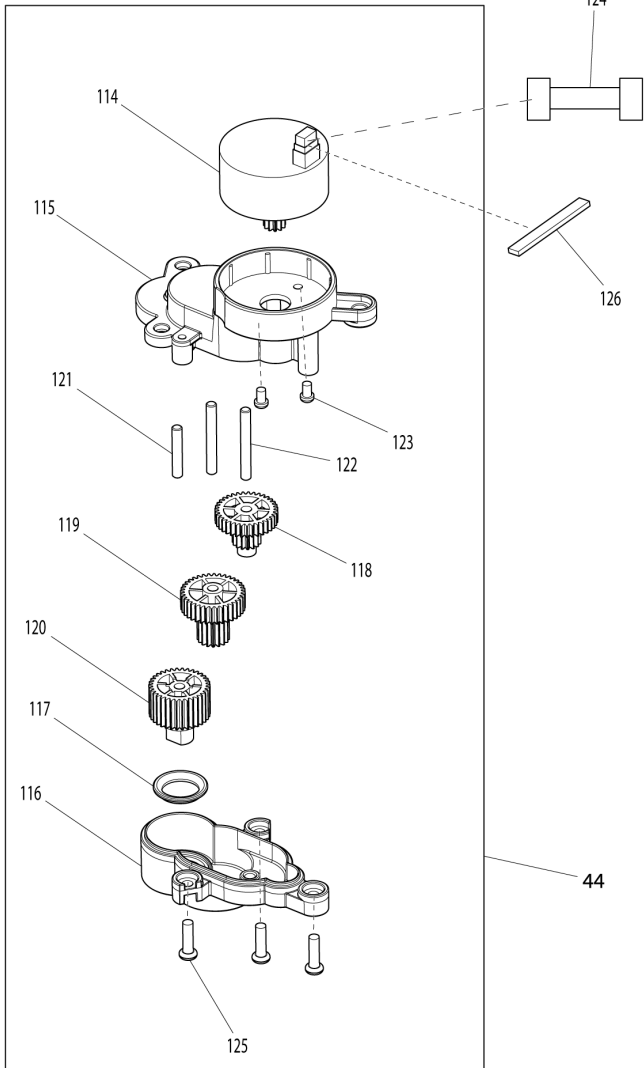
(IN) DRC200 / ROBOTIC CLEANER



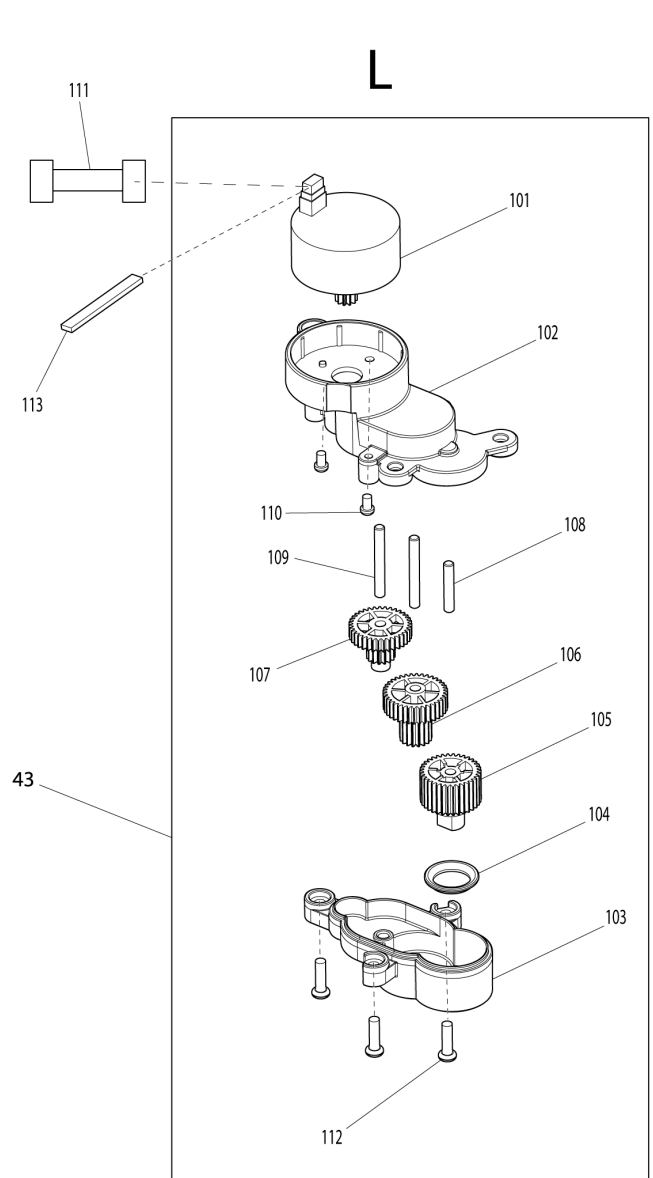
(IN) DRC200 / ROBOTIC CLEANER

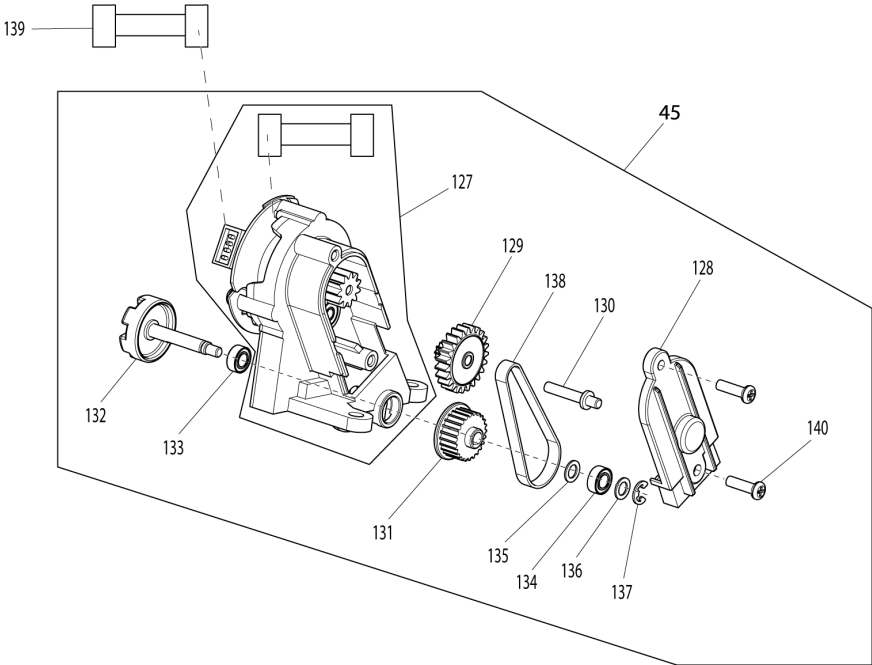


R



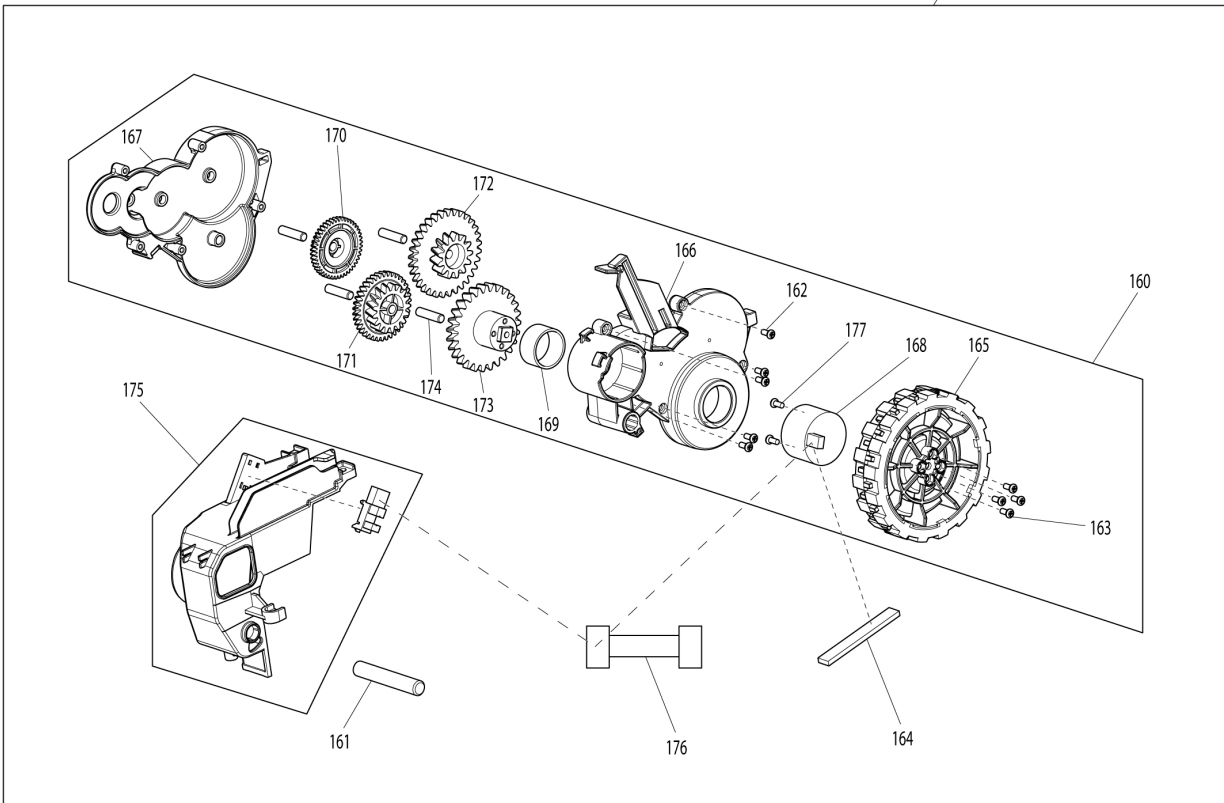
L





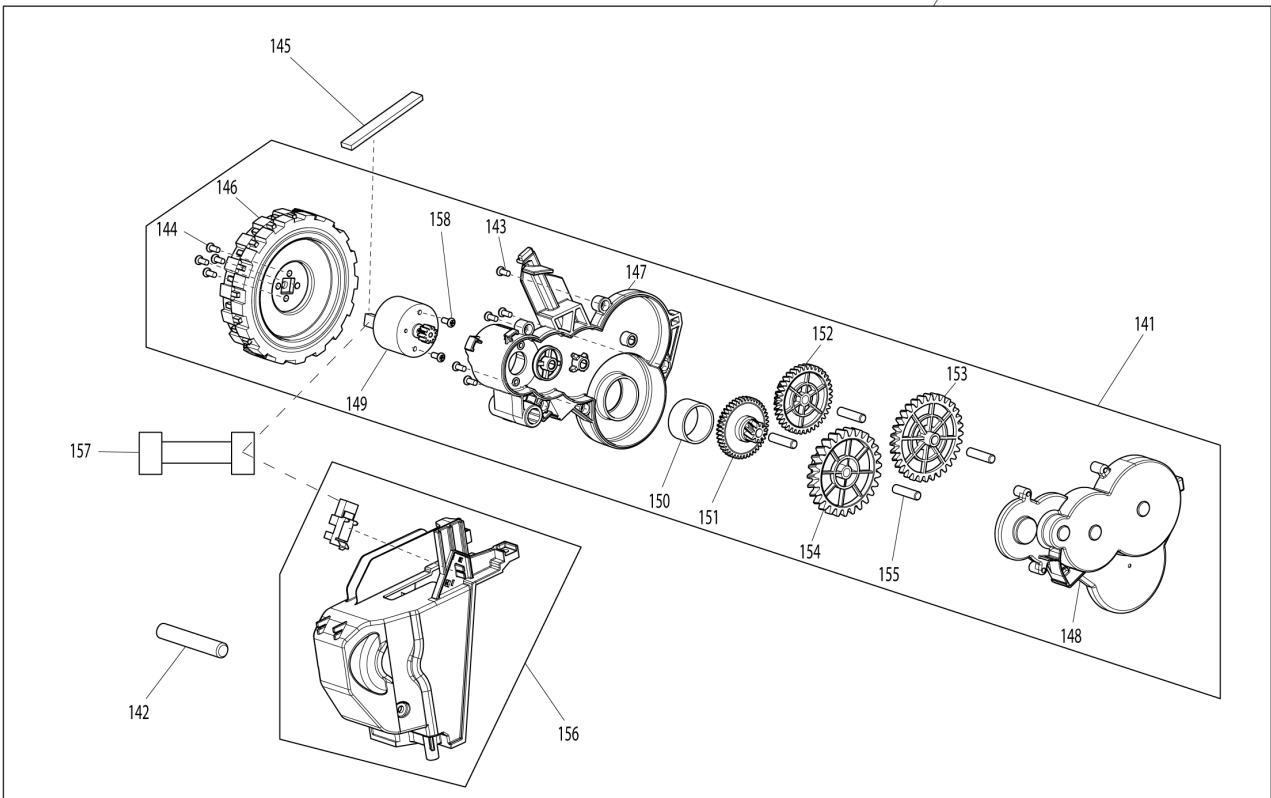
R

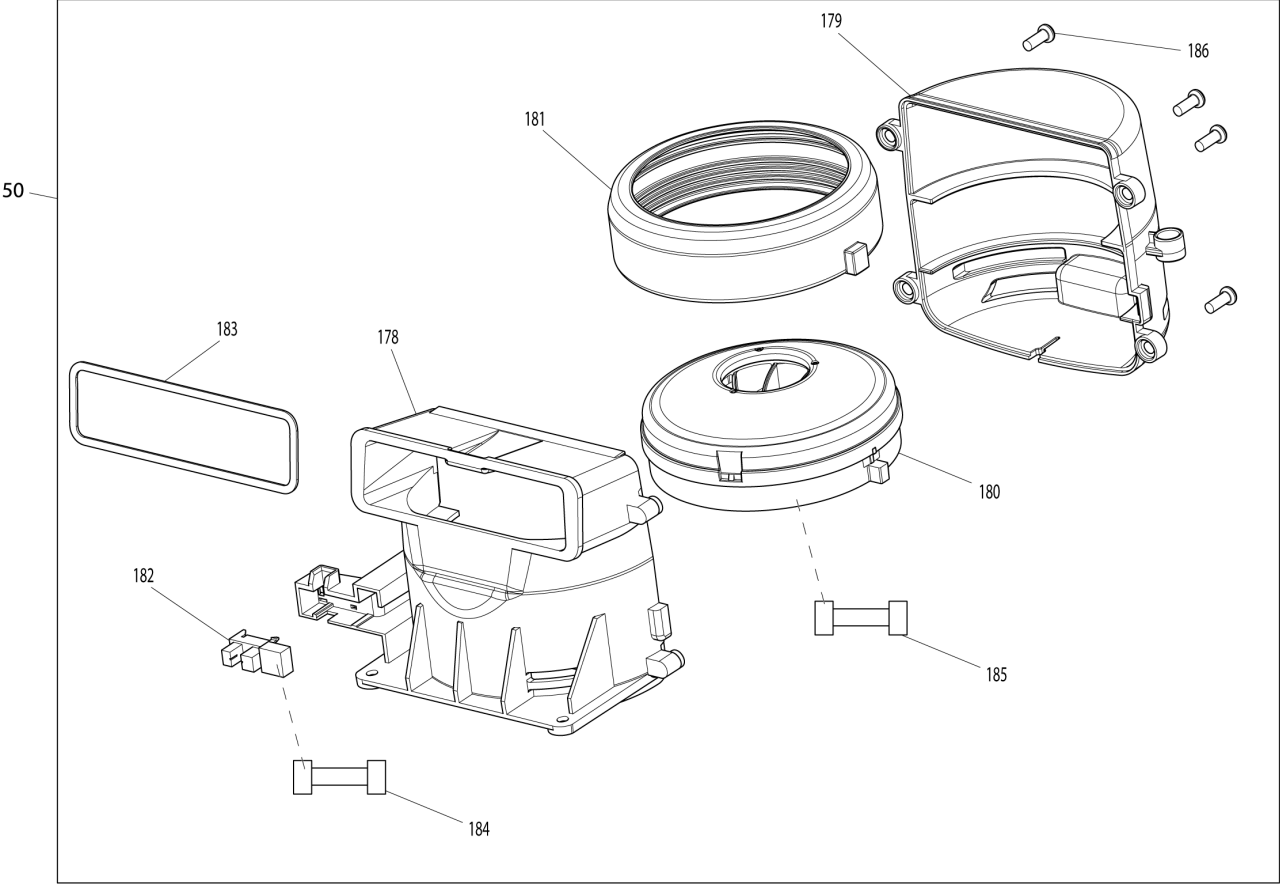
47



L

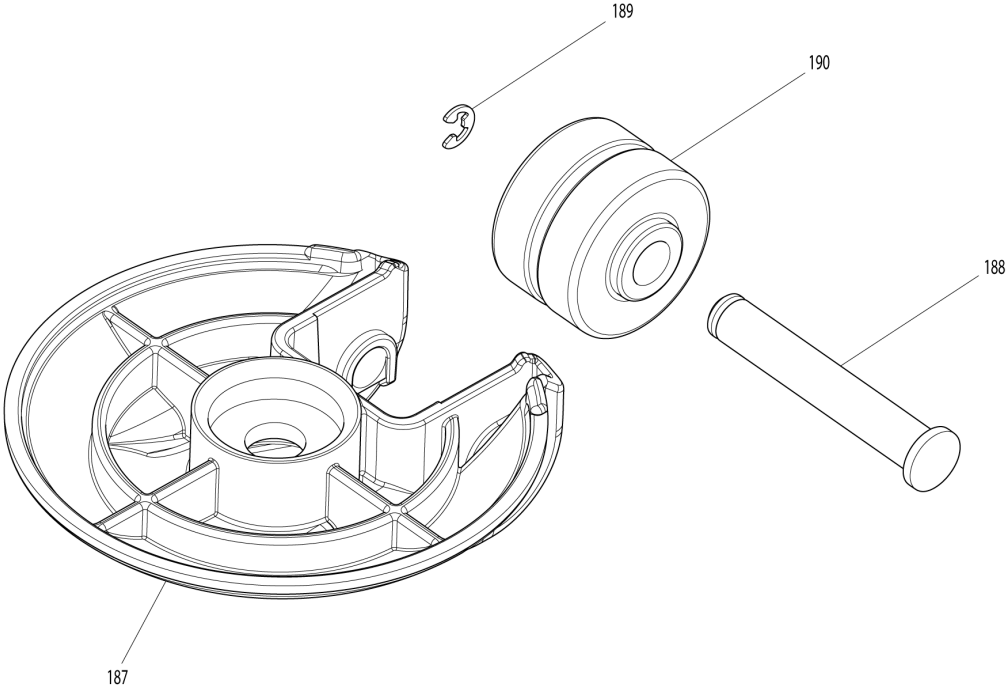
46



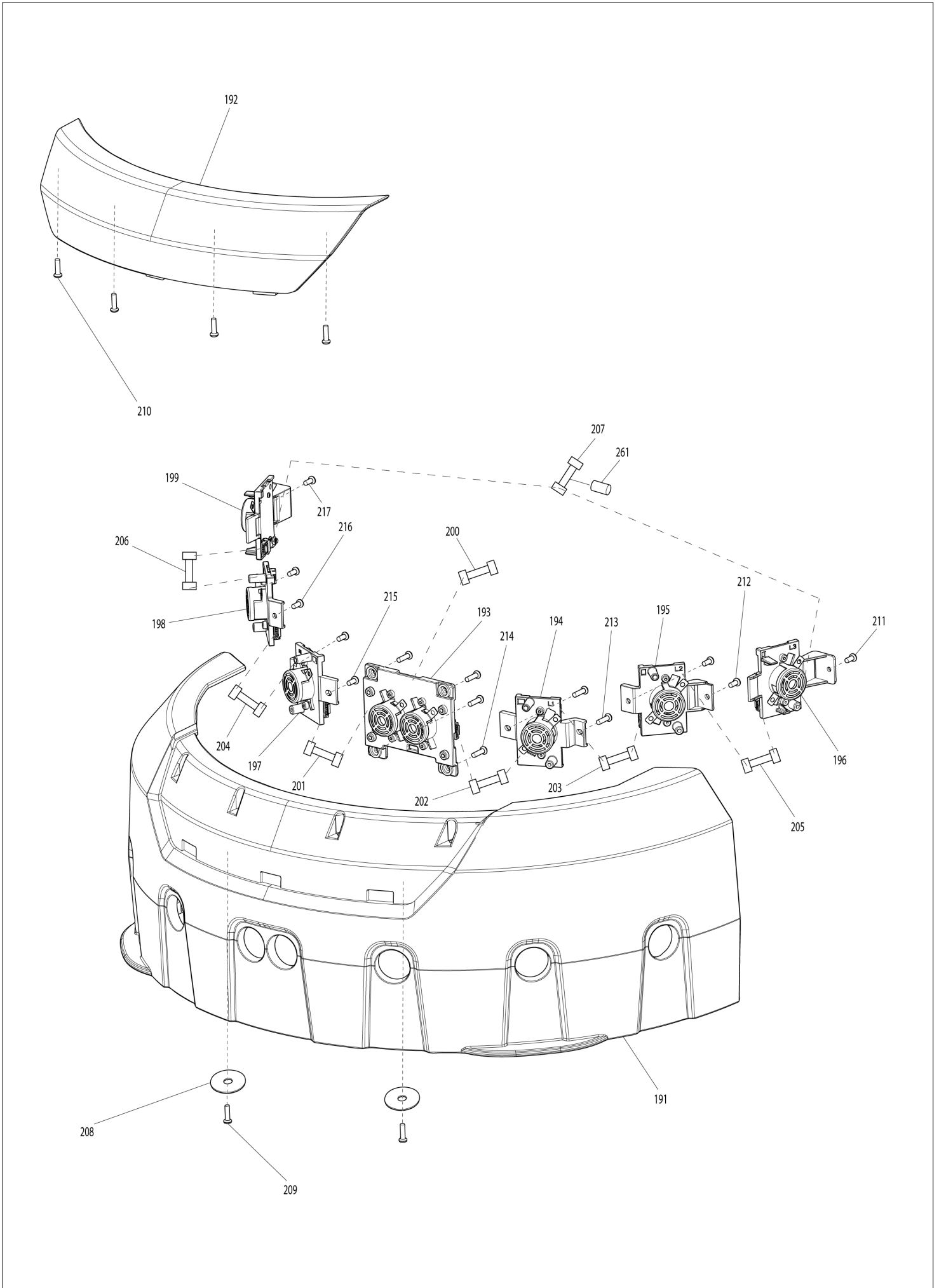




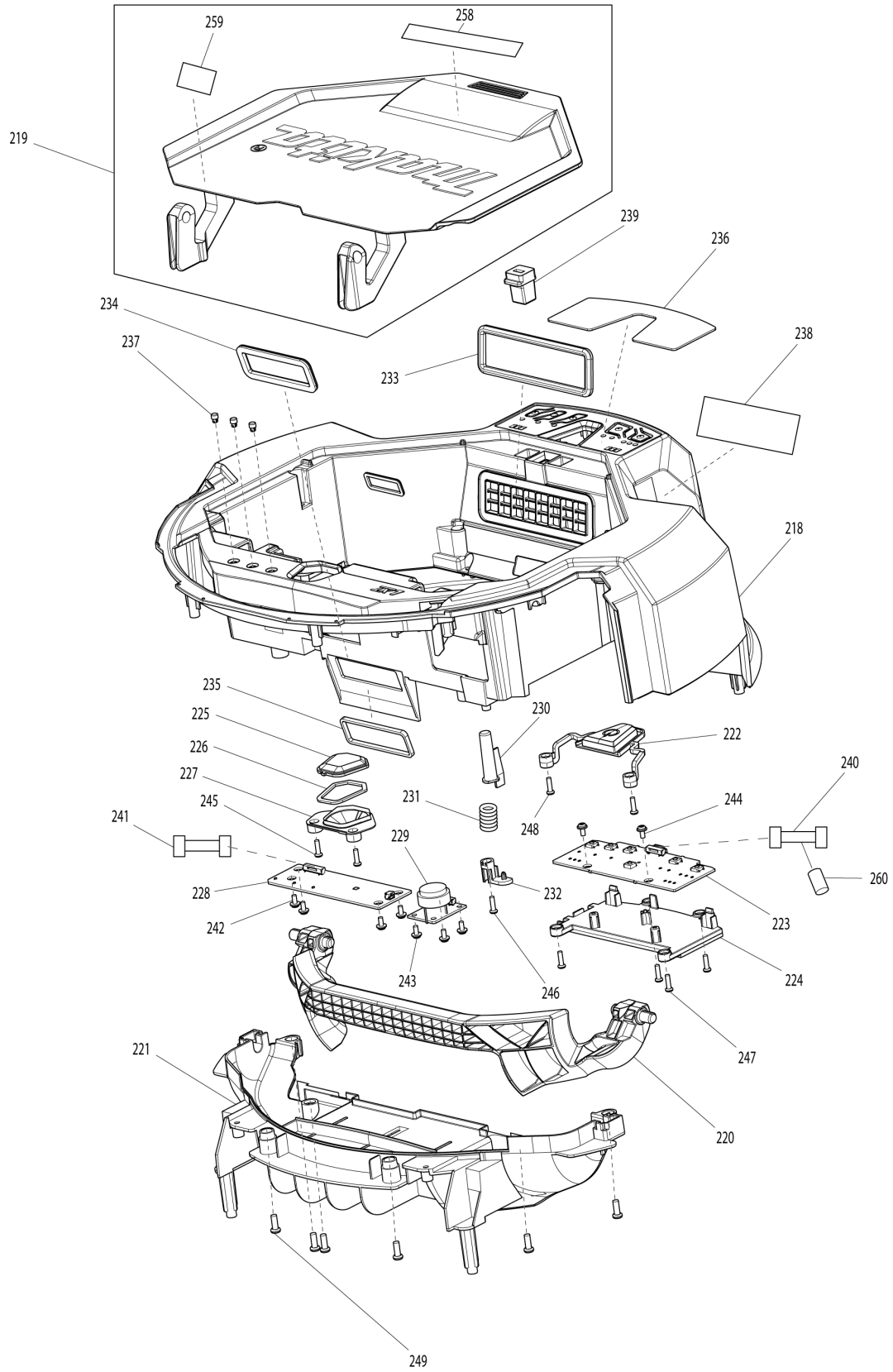
(IN) DRC200 / ROBOTIC CLEANER



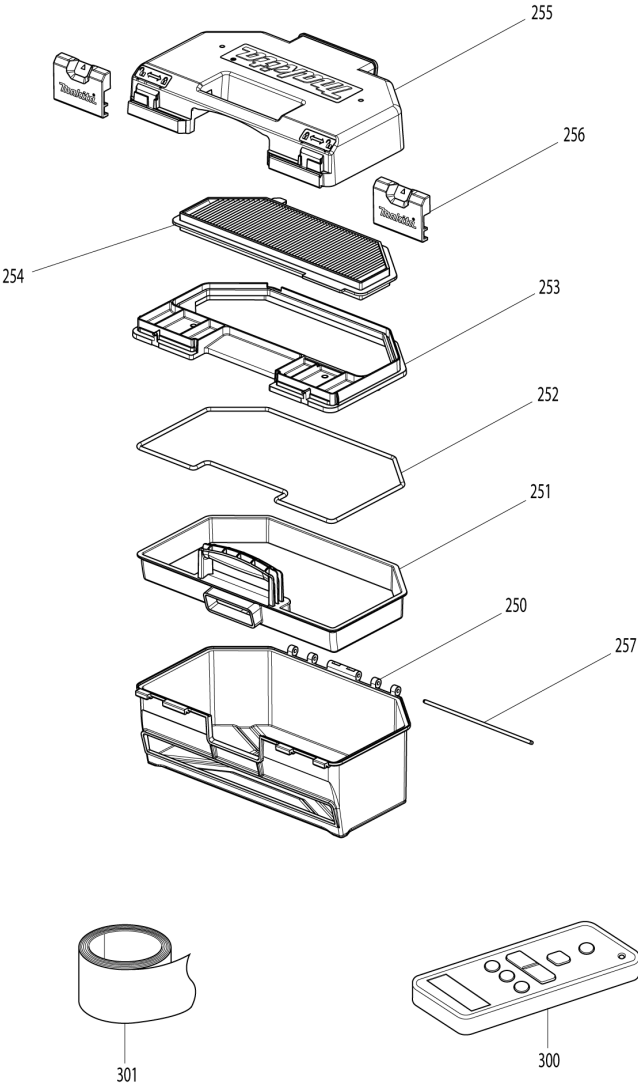
(IN) DRC200 / ROBOTIC CLEANER



(IN) DRC200 / ROBOTIC CLEANER



(IN) DRC200 / ROBOTIC CLEANER



## DRC200 / ROBOTIC CLEANER

Item	Sub	Parts No.	Parts Description	Qty	I/C	E/C No.	Close No.	Remark
001		SH00000063	MAIN BRUSH ASSY	1			Y07968	
001-1		SH00000313	ROTATION BRUSH	1	<	Y07968		
002		SH00000064	BOTTOM PLATE ASSY	1			Y07968	
002-1		SH00000314	ROTATION BRUSH COVER	1	<	Y07968		
003		SH00000065	SIDE BRUSH ASSY 2PCS	1				
004		SH00000066	FW COVER	1				
005		SH00000067	CABLE COVER R	1			Y07447	
005-1		SH00000267	CABLE COVER R	1	<	Y07447		
006		SH00000068	CABLE COVER L	1			Y07447	
006-1		SH00000268	CABLE COVER	1	<	Y07447		
007		SH00000069	SCREW(M4X8 MACHIN)	4				
008		SH00000070	SB SCREW ASSY 2PCS	1				
009		SH00000071	SCREW(M3X10)	2				
010		SH00000071	SCREW(M3X10)	1				
011		SH00000221	SCREW(M4X16)	6				
012		SH00000221	SCREW(M4X16)	10				
013		SH00000072	LOWER BODY ASSY	1			Y07968	
013-1		SH00000315	LOWER BODY ASSY	1	<	Y07968		
014		SH00000073	CONTROL PWB ASSY	1			Y07589	
014-1		SH00000291	CONTROL PWB ASSY	1	<	Y07589		
015		SH00000241	RF MODULE	1			Y07589	
015-1		SH00000305	RF MODULE	1	<	Y07589		
016		SH00000075	RF HOLDER	1				
017		SH00000076	CONTROL HOLDER ASSY	1			Y07558	
	D10		INC. 51,52				Y07558	
017-1		SH00000287	CONTROL HOLDER ASSY	1	O	Y07558		
	D10		INC. 51,52			Y07558		
018		SH00000078	AS PWB ASSY	1			Y07589	
018-1		SH00000293	AS PWB ASSY	1	<	Y07589		
019		SH00000079	BATTERY PWB ASSY	1			Y07589	
019-1		SH00000294	BATTERY PWB ASSY	1	<	Y07589		
020		SH00000080	INSULATING SHEET	1				
021		SH00000081	TERMINAL HOLDER L	1				
022		SH00000082	TERMINAL HOLDER R	1				
023		SH00000083	RUBBER PIN	2				
024		SH00000083	RUBBER PIN	2				
025		SH00000084	FRONT ROLLER SHAFT	1				
026		SH00000085	FRONT ROLLER ASSY	1			Y09528	
026-1		SH00000457	FRONT ROLLER ASSY	1	<	Y09528		
027		SH00000086	IR SENSOR C ASSY	1			Y07477	
027-1		SH00000278	IR SENSOR C ASSY	1	<	Y07477	Y07589	
027-2		SH00000303	IR SENSOR C ASSY	1	<	Y07589		
	C10	SH00000307	TAPPING BUSH	2		Y07615		
	C20	SH00000308	IR HOLDER CK	1		Y07615		
028		SH00000086	IR SENSOR C ASSY	1			Y07477	
028-1		SH00000278	IR SENSOR C ASSY	1	<	Y07477	Y07589	
028-2		SH00000303	IR SENSOR C ASSY	1	<	Y07589		
	C10	SH00000307	TAPPING BUSH	2		Y07615		
	C20	SH00000308	IR HOLDER CK	1		Y07615		
029		SH00000087	IR SENSOR S ASSY	1			Y07477	
029-1		SH00000279	IR SENSOR S ASSY	1	<	Y07477	Y07589	
029-2		SH00000304	IR SENSOR S ASSY	1	<	Y07589		
	C10	SH00000307	TAPPING BUSH	2		Y07615		
	C20	SH00000309	IR HOLDER SK	1		Y07615		
030		SH00000087	IR SENSOR S ASSY	1			Y07477	
030-1		SH00000279	IR SENSOR S ASSY	1	<	Y07477	Y07589	
030-2		SH00000304	IR SENSOR S ASSY	1	<	Y07589		
	C10	SH00000307	TAPPING BUSH	2		Y07615		
	C20	SH00000309	IR HOLDER SK	1		Y07615		
031		SH00000088	BL SENSOR ASSY	1			Y07477	
031-1		SH00000280	BL SENSOR ASSY	1	<	Y07477		
032		SH00000222	SENSOR LENS SHEET	2			Y07477	
033		SH00000222	SENSOR LENS SHEET	1			Y07477	
035		SH00000222	SENSOR LENS SHEET	1			Y07477	
036		SH00000222	SENSOR LENS SHEET	1			Y07477	

A:

Interchange  
O : Yes  
X : No  
< : the new part can be substituted for the current.  
> : the current part can be substituted for the new.  
S : Interchangeable as a set.

## DRC200 / ROBOTIC CLEANER

Item	Sub	Parts No.	Parts Description	Qty	I/C	E/C No.	Close No.	Remark
037		SH00000222	SENSOR LENS SHEET	1			Y07477	
038		SH00000089	WEIGHT PLATE	2				
039		SH00000090	BUMPER ANGLE L	1				
040		SH00000091	BUMPER ANGLE R	1			Y07449	
040-1		SH00000277	BUMPER ANGLE R	1	O	Y07449		
041		SH00000092	BUMPER SPRING	1				
042		SH00000092	BUMPER SPRING	1				
043		SH00000093	SB UNIT L ASSY	1				
	D10		INC. 101-110,112					
044		SH00000094	SB UNIT R ASSY	1				
	D10		INC. 114-123,125					
045		SH00000095	PB SUPPORT S ASSY	1			Y07968	
	D10		INC. 127-138,140				Y07968	
045-1		SH00000316	PB SUPPORT SK ASSY	1	<	Y07968		
	D10		INC. 127-138,140			Y07968		
046		SH00000096	MAIN WHEEL L ASSY	1			Y09528	
	D10		INC. 141,142,145,156,157				Y09528	
046-1		SH00000458	MAIN WHEEL L ASSY	1	<	Y09528		
	D10		INC. 141,142,145,156,157			Y09528		
047		SH00000097	MAIN WHEEL R ASSY	1			Y07558	
	D10		INC. 160,161,164,175,176				Y07558	
047-1		SH00000288	MAIN WHEEL R ASSY	1	O	Y07558	Y09528	
	D10		INC. 160,161,164,175,176			Y07558	Y09528	
047-2		SH00000459	MAIN WHEEL R ASSY	1	<	Y09528		
	D10		INC. 160,161,164,175,176			Y09528		
048		SH00000098	WHEEL SPRING	1				
049		SH00000098	WHEEL SPRING	1				
050		SH00000099	AIR DUCT UNIT ASSY	1				
	D10		INC. 178-186					
051		SH00000101	BUMPER SW CABLE	1				
052		SH00000101	BUMPER SW CABLE	1				
053		SH00000223	COOLING FAN S ASSY	1				
054		SH00000224	COOLING FAN SEAL	2				
055		SH00000104	BATTERY CABLE L	1				
056		SH00000105	BATTERY CABLE R	1				
057		SH00000106	BATTERY PS CABLE	1				
058		SH00000107	BATTERY SIGNAL CABLE	1				
059		SH00000108	BATTERY EARTH CABLE	1				
060		SH00000109	AS CABLE	1				
061		SH00000242	CLIFF SENSOR CABLE L	1				
062		SH00000243	CLIFF SENSOR CABLE R	1				
063		SH00000110	SCREW(M3X8XWASHER8)	5				
064		SH00000110	SCREW(M3X8XWASHER8)	3				
065		SH00000110	SCREW(M3X8XWASHER8)	3				
066		SH00000111	SCREW(M4X10)	3				
067		SH00000111	SCREW(M4X10)	2				
068		SH00000111	SCREW(M4X10)	2				
069		SH00000111	SCREW(M4X10)	2				
070		SH00000111	SCREW(M4X10)	1				
071		SH00000111	SCREW(M4X10)	1				
072		SH00000111	SCREW(M4X10)	1				
073		SH00000111	SCREW(M4X10)	3				
074		SH00000111	SCREW(M4X10)	3				
075		SH00000111	SCREW(M4X10)	2				
076		SH00000111	SCREW(M4X10)	3				
077		SH00000111	SCREW(M4X10)	2				
078		SH00000111	SCREW(M4X10)	3				
079		SH00000111	SCREW(M4X10)	4				
080		SH00000111	SCREW(M4X10)	2				
081		SH00000111	SCREW(M4X10)	2				
082		SH00000111	SCREW(M4X10)	4				
083		SH00000111	SCREW(M4X10)	4				
084		SH00000112	WASHER(4.5X13XT1)	2				
085		SH00000113	SCREW(M5X10XWASHER16)	2				
086		643899-6	TERMINAL	1			Y07447	

A:

Interchange  
O : Yes  
X : No  
< : the new part can be substituted for the current.  
> : the current part can be substituted for the new.  
S : Interchangeable as a set.

## DRC200 / ROBOTIC CLEANER

Item	Sub	Parts No.	Parts Description	Qty	I/C	E/C No.	Close No.	Remark
086-1		643523-1	TERMINAL	1	<	Y07447		
087		643899-6	TERMINAL	1			Y07447	
087-1		643523-1	TERMINAL	1	<	Y07447		
088		SH00000226	PC WASHER	2				
089		SH00000236	SENSOR LENZ SEAL	1			Y07477	
090		SH00000236	SENSOR LENZ SEAL	1			Y07477	
091		SH00000236	SENSOR LENZ SEAL	1			Y07477	
092		SH00000236	SENSOR LENZ SEAL	1			Y07477	
093		SH00000236	SENSOR LENZ SEAL	1			Y07477	
094		SH00000236	SENSOR LENZ SEAL	1			Y07477	
095		SH00000244	FERRITE CORE	4				
101		SH00000114	MOTOR S ASSY	1				
102		SH00000115	SB MOTOR HOLDER L	1				
103		SH00000116	SB MOTOR COVER	1				
104		SH00000117	SB METAL	1				
105		SH00000118	SB GEAR 4 ASSY	1				
106		SH00000119	SB GEAR 3	1				
107		SH00000120	SB GEAR 2	1				
108		SH00000121	COMMON SHAFT 1	1				
109		SH00000122	SB GEAR SHAFT 1	2				
110		SH00000123	SCREW(M2.6X4 MACHINE)	2				
111		SH00000124	SIDE BRUSH CABLE	1				
112		SH00000071	SCREW(M3X10)	3				
113		SH00000227	MOTOR SEAL	1				
114		SH00000114	MOTOR S ASSY	1				
115		SH00000125	SB MOTOR HOLDER R	1				
116		SH00000116	SB MOTOR COVER	1				
117		SH00000117	SB METAL	1				
118		SH00000120	SB GEAR 2	1				
119		SH00000119	SB GEAR 3	1				
120		SH00000118	SB GEAR 4 ASSY	1				
121		SH00000121	COMMON SHAFT 1	1				
122		SH00000122	SB GEAR SHAFT 1	2				
123		SH00000123	SCREW(M2.6X4 MACHINE)	2				
124		SH00000124	SIDE BRUSH CABLE	1				
125		SH00000071	SCREW(M3X10)	3				
126		SH00000227	MOTOR SEAL	1				
127		SH00000126	PB MOTOR D ASSY	1			Y07968	
127-1		SH00000317	PB MOTOR DK ASSY	1	<	Y07968		
128		SH00000127	PB SUPPORT COVER K	1				
129		SH00000129	PB BELT GEAR 2	1				
130		SH00000130	BELT GEAR SHAFT	1				
131		SH00000131	PB BELT GEAR 3	1				
132		SH00000132	PB HOLDER ASSY	1			Y07968	
132-1		SH00000318	PB HOLDER K ASSY	1	<	Y07968		
133		SH00000133	BEARING	1				
134		SH00000133	BEARING	1				
135		SH00000134	P WASHER 050	1				
136		SH00000134	P WASHER 050	1				
137-1		SH00000228	E RING	1				
138		SH00000136	TIMING BELT	1				
139		SH00000137	PB MOTOR CABLE	1				
140		SH00000071	SCREW(M3X10)	2				
141		SH00000139	MAIN WHEEL L UNIT	1			Y09528	
	D10		INC. 143,144,146-155,158				Y09528	
141-1		SH00000460	MAIN WHEEL L UNIT	1	<	Y09528		
	D10		INC. 143,144,146-155,158			Y09528		
142		SH00000152	MAIN WHEEL SHAFT	1				
143		SH00000071	SCREW(M3X10)	5				
144		SH00000229	SCREW(M3X10)	4				
145		SH00000227	MOTOR SEAL	1				
146		SH00000150	WHEEL L ASSY	1			Y09528	
146-1		SH00000461	WHEEL L ASSY	1	<	Y09528		
147		SH00000140	WHEEL GEAR BOX L	1				
148		SH00000141	WHEEL GEAR COVER L	1				

A:

Interchange  
 O : Yes  
 X : No  
 < : the new part can be substituted for the current.  
 > : the current part can be substituted for the new.  
 S : Interchangeable as a set.

IN

INDIA

## DRC200 / ROBOTIC CLEANER

Item	Sub	Parts No.	Parts Description	Qty	I/C	E/C No.	Close No.	Remark
149		SH00000142	MW MOTOR S ASSY	1				
150		SH00000143	WHEEL METAL RING	1				
151		SH00000144	WHEEL GEAR 2	1				
152		SH00000145	WHEEL GEAR 3	1				
153		SH00000146	WHEEL GEAR 4	1				
154		SH00000147	WHEEL GEAR 5	1				
155		SH00000148	WHEEL GEAR SHAFT 1	4				
156		SH00000151	WHEEL L UNIT COVER	1				
157		SH00000153	WHEEL CABLE	1				
158		SH00000123	SCREW(M2.6X4 MACHINE)	2				
160		SH00000154	MAIN WHEEL R UNIT	1			Y09528	
	D10		INC. 162,163,165-174,177				Y09528	
160-1		SH00000462	MAIN WHEEL R UNIT	1	<	Y09528		
	D10		INC. 162,163,165-174,177			Y09528		
161		SH00000152	MAIN WHEEL SHAFT	1				
162		SH00000071	SCREW(M3X10)	5				
163		SH00000229	SCREW(M3X10)	4				
164		SH00000227	MOTOR SEAL	1				
165		SH00000157	WHEEL R ASSY	1			Y09528	
165-1		SH00000463	WHEEL R ASSY	1	<	Y09528		
166		SH00000155	WHEEL GEAR BOX R	1				
167		SH00000156	WHEEL GEAR COVER R	1				
168		SH00000142	MW MOTOR S ASSY	1				
169		SH00000143	WHEEL METAL RING	1				
170		SH00000144	WHEEL GEAR 2	1				
171		SH00000145	WHEEL GEAR 3	1				
172		SH00000146	WHEEL GEAR 4	1				
173		SH00000147	WHEEL GEAR 5	1				
174		SH00000148	WHEEL GEAR SHAFT 1	4				
175		SH00000158	WHEEL R UNIT COVER	1			Y07558	
175-1		SH00000289	WHEEL R UNIT COVER	1	O	Y07558		
176		SH00000153	WHEEL CABLE	1				
177		SH00000123	SCREW(M2.6X4 MACHINE)	2				
178		SH00000159	AIR DUCT FRONT	1				
179		SH00000160	AIR DUCT REAR	1				
180		SH00000161	FAN MOTOR UNIT ASSY	1				
181		SH00000162	FAN CUSHION	1				
182		SH00000077	PHOTO SENSOR	1				
183		SH00000163	INTAKE SEAL	1				
184		SH00000164	CUP SENSOR CABLE	1				
185		SH00000165	FAN MOTOR CABLE	1				
186		SH00000111	SCREW(M4X10)	4				
187		SH00000166	REAR CASTER FRAME	2				
188		SH00000167	REAR CASTER SHAFT	2				
189		SH00000135	U RING	2				
190		SH00000168	CASTER ASSY	2			Y09528	
190-1		SH00000464	CASTER ASSY	2	<	Y09528		
191		SH00000169	BUMPER	1				
192		SH00000170	BUMPER DECO	1				
193		SH00000171	US HOLDER C ASSY	1			Y07589	
193-1		SH00000295	US HOLDER C ASSY	1	<	Y07589		
194		SH00000172	US HOLDER L1 ASSY	1			Y07589	
194-1		SH00000296	US HOLDER L1 ASSY	1	<	Y07589		
195		SH00000173	US HOLDER L2 ASSY	1			Y07589	
195-1		SH00000297	US HOLDER L2 ASSY	1	<	Y07589		
196		SH00000174	US HOLDER L3 ASSY	1			Y07589	
196-1		SH00000298	US HOLDER L3 ASSY	1	<	Y07589		
197		SH00000175	US HOLDER R1 ASSY	1			Y07589	
197-1		SH00000299	US HOLDER R1 ASSY	1	<	Y07589		
198		SH00000176	US HOLDER R2 ASSY	1			Y07589	
198-1		SH00000300	US HOLDER R2 ASSY	1	<	Y07589		
199		SH00000177	US HOLDER R3 ASSY	1			Y07589	
199-1		SH00000301	US HOLDER R3 ASSY	1	<	Y07589		
200		SH00000245	US CABLE C	1				
201		SH00000179	US CABLE 1	1				

A:

Interchange  
O : Yes  
X : No  
< : the new part can be substituted for the current.  
> : the current part can be substituted for the new.  
S : Interchangeable as a set.



IN

INDIA

## DRC200 / ROBOTIC CLEANER

Item	Sub	Parts No.	Parts Description	Qty	I/C	E/C No.	Close No.	Remark
202		SH00000179	US CABLE 1	1				
203		SH00000180	US CABLE 2	1				
204		SH00000180	US CABLE 2	1				
205		SH00000181	US CABLE 3	1				
206		SH00000181	US CABLE 3	1				
207		SH00000182	US EARTH CABLE	1				
208		SH00000183	WASHER(4.5/25/T1)	2				
209		SH00000111	SCREW(M4X10)	2				
210-1		SH00000184	SCREW(M3X6)	4				
211		SH00000184	SCREW(M3X6)	1				
212		SH00000184	SCREW(M3X6)	2				
213		SH00000184	SCREW(M3X6)	2				
214		SH00000184	SCREW(M3X6)	4				
215		SH00000184	SCREW(M3X6)	2				
216		SH00000184	SCREW(M3X6)	2				
217		SH00000184	SCREW(M3X6)	1				
218		SH00000185	UPPER BODY	1				
219		SH00000247	CASE COVER K	1				
220		SH00000187	HANDLE	1				
221		SH00000188	HANDLE COVER	1			Y07447	
221-1		SH00000269	HANDLE COVER	1	<	Y07447		
222		SH00000189	UI BUTTON	1				
223		SH00000190	UI PWB ASSY	1			Y07589	
223-1		SH00000302	UI PWB ASSY	1	<	Y07589		
224		SH00000191	UI PWB HOLDER	1				
225		SH00000192	LED LENS L	1				
226		SH00000193	LED LENS SEAL	1				
227		SH00000194	LED REFLECTOR	1				
228		SH00000195	LED PWB ASSY	1				
229		SH00000196	BUZZER PWB ASSY	1				
230		SH00000197	FILTER BUTTON	1			Y07447	
230-1		SH00000270	FILTER BUTTON	1	O	Y07447		
231		SH00000198	FILTER BUTTON SP	1				
232		SH00000199	FILTER BUTTON HOLDER	1			Y07447	
232-1		SH00000271	FILTER BUTTON HOLDER	1	O	Y07447		
233		SH00000200	INTAKE PACKING	1				
234		SH00000201	NOZZLE PACKING	1				
235		SH00000202	NOZZLE SEAL	1				
236		SH00000248	UI KEY SHEET	1				
237		SH00000204	LED LENS S	3				
238		SH00000205	EXHAUST FILTER ASSY	1				
239		SH00000206	CATCH LATCH	1				
240		SH00000249	UI CABLE	1				
241		SH00000208	LED CABLE	1				
242		SH00000110	SCREW(M3X8XWASHER8)	4				
243		SH00000110	SCREW(M3X8XWASHER8)	3				
244		SH00000110	SCREW(M3X8XWASHER8)	2				
245		SH00000184	SCREW(M3X6)	2				
246		SH00000071	SCREW(M3X10)	1				
247		SH00000071	SCREW(M3X10)	4				
248		SH00000071	SCREW(M3X10)	2				
249		SH00000111	SCREW(M4X10)	6				
250		SH00000209	DUST BOX LOWER	1				
251		SH00000210	DUST CASE	1				
252		SH00000211	DUST SEAL RING	1				
253		SH00000212	DUST BOX UPPER	1				
254		SH00000213	FILTER UNIT'S ASSY	1				
255		SH00000214	DUST BOX COVER	1				
256		SH00000215	DUST SLIDE LEVER	2				
257		SH00000216	DUST BOX PIN	1				
258		SH00000252	CAUTION LABEL	1				
259		SH00000253	ROBOPRO LABEL	1				
260		SH00000244	FERRITE CORE	1				
261		SH00000244	FERRITE CORE	1				
300		SH00000237	RF CONTROLLER ASSY	1				

A:

Interchange

O : Yes

X : No

&lt; : the new part can be substituted for the current.

&gt; : the current part can be substituted for the new.

S : Interchangeable as a set.

