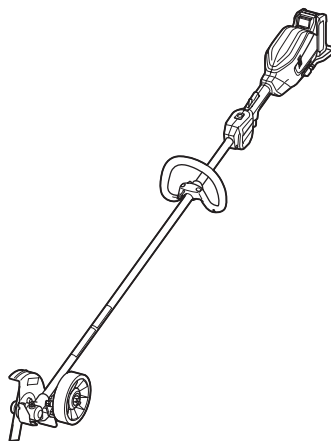


INSTRUCTION MANUAL



# Cordless Edger

## UE001G



Read before use.



Read before use.

# WARNING

- See the chapter "MAINTENANCE" for the appropriate details of precautions before user maintenance.
- This appliance is not intended for use by persons (including children) with reduced physical, sensory or mental capabilities, or lack of experience and knowledge, unless they have been given supervision or instruction concerning use of the appliance by a person responsible for their safety.
- Children should be supervised to ensure that they do not play with the appliance.
- See the chapter "Important safety instructions for battery cartridge" for prohibited matters or important matters of the battery cartridge.
- See the chapter "Specifications" for the type reference of the battery.
- See the section "Installing or removing battery cartridge" for how to remove or install the battery.
- See the chapter "ASSEMBLY" for the appropriate details of precautions before installation of the appliance.

# SPECIFICATIONS

<b>Model:</b>	<b>UE001G</b>
No load speed (without attachment)	0 - 4,800 min <sup>-1</sup>
Overall length (without battery cartridge)	1,860 mm
Cutting blade diameter	203 mm
Gear ratio	Gear case: 14/29
Rated voltage	D.C. 36 V - 40 V max
Net weight	6.1 kg - 7.3 kg
Protection degree	IPX4

- Due to our continuing program of research and development, the specifications herein are subject to change without notice.
- Specifications may differ from country to country.
- The weight may differ depending on the attachment(s), including the battery cartridge. The lightest and heaviest combinations, according to EPTA-Procedure 01/2014, are shown in the table.

## Applicable battery cartridge and charger

Battery cartridge	BL4020 / BL4025* / BL4040* / BL4040F* / BL4050F* / BL4080F* * : Recommended battery
Charger	DC40RA / DC40RB / DC40RC / DC40WA

- Some of the battery cartridges and chargers listed above may not be available depending on your region of residence.

**⚠WARNING:** Only use the battery cartridges and chargers listed above. Use of any other battery cartridges and chargers may cause injury and/or fire.

## Recommended cord connected power source

Portable power pack	PDC01 / PDC1200 / PDC1500
---------------------	---------------------------

- The cord connected power source(s) listed above may not be available depending on your region of residence.
- Before using the cord connected power source, read instruction and cautionary markings on them.

## Symbols

The followings show the symbols which may be used for the equipment. Be sure that you understand their meaning before use.



Read instruction manual.



Take particular care and attention.



Keep working area clear of persons



Wear eye and ear protection.



Only for EU countries  
 Due to the presence of hazardous components in the equipment, waste electrical and electronic equipment, accumulators and batteries may have a negative impact on the environment and human health. Do not dispose of electrical and electronic appliances or batteries with household waste! In accordance with the European Directive on waste electrical and electronic equipment and on accumulators and batteries and waste accumulators and batteries, as well as their adaptation to national law, waste electrical equipment, batteries and accumulators should be stored separately and delivered to a separate collection point for municipal waste, operating in accordance with the regulations on environmental protection. This is indicated by the symbol of the crossed-out wheeled bin placed on the equipment.

## Intended use

This tool is only intended for edging the lawn. Never use the tool for the other purpose. Abusing the tool may cause serious injury.

# SAFETY WARNINGS

## Cordless edger safety warnings

**⚠ WARNING:** Read all safety warnings and all instructions. Failure to follow the warnings and instructions may result in electric shock, fire and/or serious injury.

## Save all warnings and instructions for future reference.

**WARNING** – When using this product, basic precautions should always be followed, including the following:

### Training

1. Read the instructions carefully. Be familiar with the controls and the proper use of the equipment.
2. Never allow children or people unfamiliar with these instructions to use the edger. Local regulations may restrict the age of the operator.
3. Never edge while people, especially children, or pets are nearby.
4. Keep in mind that the operator or user is responsible for accidents or hazards occurring to other people or their property.
5. When touching the cutting blade, wear protective gloves. Cutting blades can cut bare hands severely.

### Preparation

1. Use personal protective equipment. Always wear eye protection. Protective equipment such as a dust mask, non-skid safety shoes, hard hat or

hearing protection used for appropriate conditions will reduce personal injuries.

2. While edging, always wear safety helmet, eye and ear protection, protective gloves, substantial foot wear, and long trousers to protect yourself from flying debris or falling objects.
3. Thoroughly inspect the surface where the equipment is to be used and remove all stones, sticks, wires, bones and other foreign objects.
4. Before using, always visually inspect to see that the blades, blade bolts and cutter assembly are not worn or damaged. Replace worn or damaged blades and bolts in sets to preserve balance.
5. Use only manufacturer-recommended replacement parts and accessories.
6. Remove any adjusting key or wrench before turning the power tool on. A wrench or a key left attached to a rotating part of the power tool may result in personal injury.
7. Make sure there are no electrical cables, water pipes, gas pipes etc. that could cause a hazard if damaged by use of the tool.
8. To avoid accidents, check for loose bolts, nuts and screws before use.
9. Scan the work area to identify potential hazards before working. Remove sand, stones and other solid objects found within the working range. They can be thrown or cause a reactionary force that pushes the cutting head up towards you resulting in damage to the machine and serious injury.

## Operation

1. Edge only in daylight or in good artificial light.
2. Always be sure of your footing on slopes.
3. Walk, never run.
4. Use extreme caution when reversing or pulling the edger toward you.
5. Make sure the blade has stopped before crossing surfaces other than grass and when transporting the edger to and from the area to be edged.
6. Never operate the edger with defective, missing or incorrectly fitted guards.
7. Switch on the motor carefully according to instructions and with feet well away from the blade(s).
8. Do not tilt when switching on the motor, unless the edger has to be tilted for starting. In this case, do not tilt it more than absolutely necessary and lift only the part which is away from the operator.
9. Do not switch on the motor when a bystander is standing in front of the blade(s).
10. Do not put hands, feet, face and clothes near or under rotating parts.
11. Always switch off the electric motor and disconnect the battery from the edger:
  - before clearing blockages;
  - before checking, cleaning or working on the blade(s);

- after striking a foreign object: inspect the blade(s) for damage and make repairs before restarting and operating the edger;
  - if edger starts to vibrate abnormally (check immediately).
12. **Stop the motor:**
    - whenever you leave the edger;
    - before recharging battery.
  13. **Keep the cutting head away from fences, walls, tree trunks or other solid surfaces that could damage the machine and cause a kickback.**
  14. **Do not operate power tools in explosive atmospheres, such as in the presence of flammable liquids, gases or dust.** Power tools create sparks which may ignite the dust or fumes.
  15. **Do not overreach. Keep proper footing and balance at all times.** This enables better control of the power tool in unexpected situations.
  16. **During operation, keep bystanders or animals at least 15 m away from the tool. Stop the tool as soon as someone approaches. Arrange a person to observe the distance between operators when two or more operators work in one area.**
  17. **During operation, never stand on an unstable or slippery surface or a steep slope. During the cold season, beware of ice and snow and always ensure secure footing.**
  18. **When you leave the tool, even if it is a short time, always remove the battery cartridge.** The unattended tool with the battery cartridge installed may be used by unauthorized person and cause serious accident.
  19. **Check the cutting attachment frequently during operation for cracks or damages. Before the inspection, remove the battery cartridge and wait until the cutting attachment stops completely. Replace damaged cutting attachment immediately, even if it has only superficial cracks.**
  20. **Do not touch the gear case during and immediately after the operation.** The gear case becomes hot during operation and can cause burn injury.
  21. **Take a rest to prevent loss of control caused by fatigue.** We recommend taking a 10 to 20-minute rest every hour.
  22. **When you use the tool on muddy ground, wet slope, or slippery place, pay attention to your footing.**
  23. **Do not use the tool in bad weather where visibility is limited.** Failure to do so may cause fall or incorrect operation due to low visibility.
  24. **Do not leave the tool unattended outdoors in the rain.**
  25. **Hold the tool by insulated gripping surfaces only, because the cutter blade may contact hidden wiring. Cutter blades contacting a "live" wire may make exposed metal parts of the tool "live" and could give the operator an electric shock.**
  26. **Avoid working in poor environment where increased user fatigue is expected.**
  27. **Do not submerge the tool into a puddle.**
  28. **Do not leave the tool unattended outdoors in the rain.**
  29. **When wet leaves or dirt adhere to the suction mouth (ventilation window) due to rain, remove them.**
  30. **Do not use the tool in the snow.**

## Cutting tools

1. **Never use inappropriate blades including metal multi-piece pivoting chains and flail blades. It may result in serious injury.**
2. **Always use the cutting tool guard properly suited for the cutting tool used.**

## Maintenance and storage

1. **Keep all nuts, bolts and screws tight to be sure the equipment is in safe working conditions.**
2. **To reduce the fire hazard, keep the battery compartment free of grass, leaves or excessive grease.**
3. **Replace worn or damaged parts.**
4. **Do not attempt to repair the machine unless you are competent to do so.**
5. **Use only manufacturer-recommended replacement parts and accessories.**
6. **Before transporting the tool, turn it off and remove the battery cartridge.**
7. **When handling a cutter blade, always wear gloves.**
8. **Check Damaged Parts** - Before further use of the appliance, a guard or other part that is damaged should be carefully checked to determine that it will operate properly and perform its intended function. Check for alignment of moving parts, binding of moving parts, breakage of parts, mounting, and any other condition that may affect its operation. A guard or other part that is damaged should be properly repaired or replaced by an authorized service center unless indicated elsewhere in this manual.
9. **Do not wash the tool with high pressure water.**
10. **When washing the tool, do not let water enter the electrical mechanism such as battery, motor, and terminals.**
11. **Perform inspection or maintenance in a place where rain can be avoided.**
12. **After using the tool, remove the adhered dirt and dry the tool completely before storing.** Depending on the season or the area, there is a risk of malfunction due to freezing.
13. **When storing the tool, avoid direct sunlight and rain, and store it in a place where it does not get hot or humid.**

## Battery tool use and care

1. **Prevent unintentional starting. Ensure the switch is in the off-position before connecting to battery pack, picking up or carrying the machine.** Carrying the machine with your finger on the switch or energizing machine that have the switch on invites accidents.
2. **Disconnect the battery pack from the machine before making any adjustments, changing**

- accessories, or storing machine.** Such preventive safety measures reduce the risk of starting the machine accidentally.
3. **Recharge only with the charger specified by the manufacturer.** A charger that is suitable for one type of battery pack may create a risk of fire when used with another battery pack.
  4. **Use machines only with specifically designated battery packs.** Use of any other battery packs may create a risk of injury and fire.
  5. **When battery pack is not in use, keep it away from other metal objects, like paper clips, coins, keys, nails, screws or other small metal objects, that can make a connection from one terminal to another.** Shorting the battery terminals together may cause burns or a fire.
  6. **Under abusive conditions, liquid may be ejected from the battery; avoid contact. If contact accidentally occurs, flush with water. If liquid contacts eyes, seek medical help.** Liquid ejected from the battery may cause irritation or burns.
  7. **Do not use a battery pack or machine that is damaged or modified. Damaged or modified batteries may exhibit unpredictable behaviour resulting in fire, explosion or risk of injury.**
  8. **Do not expose a battery pack or machine to fire or excessive temperature. Exposure to fire or temperature above 130°C (265°F) may cause explosion.**
  9. **Follow all charging instructions and do not charge the battery pack or machine outside of the temperature range specified in the instructions.** Charging improperly or at temperatures outside of the specified range may damage the battery and increase the risk of fire.
  10. **Have servicing performed by a qualified repair person using only identical replacement parts.** This will ensure that the safety of the product is maintained.
  11. **Do not modify or attempt to repair the machine or the battery pack except as indicated in the instructions for use and care.**
  12. **Do not dispose of the battery(ies) in a fire.** The cell may explode. Check with local codes for possible special disposal instructions.
  13. **Do not open or mutilate the battery(ies).** Released electrolyte is corrosive and may cause damage to the eyes or skin. It may be toxic if swallowed.
  14. **Do not charge battery in rain or in wet locations.**
  15. **Do not replace the battery in the rain.**
  16. **Do not charge the battery outdoors.**
  17. **Do not handle charger, including charger plug, and charger terminals with wet hands.**
  18. **Avoid dangerous environment. Do not use the machine in damp or wet locations or expose it to rain.** Water entering the machine will increase the risk of electric shock.
  19. **Keep handles and grasping surfaces dry, clean and free from oil and grease.** Slippery handles and grasping surfaces do not allow for safe handling and control of the tool in unexpected situations.

20. **Do not replace the battery with wet hands.**
21. **After removing the battery from the tool or charger, be sure to attach the battery cover to the battery and store it in a dry place.**
22. **If the battery cartridge gets wet, drain the water inside and then wipe it with a dry cloth. Dry the battery cartridge completely in a dry place before use.**

## SAVE THESE INSTRUCTIONS.

**⚠WARNING:** DO NOT let comfort or familiarity with product (gained from repeated use) replace strict adherence to safety rules for the subject product.

**MISUSE** or failure to follow the safety rules stated in this instruction manual may cause serious personal injury.

### Important safety instructions for battery cartridge

1. **Before using battery cartridge, read all instructions and cautionary markings on (1) battery charger, (2) battery, and (3) product using battery.**
2. **Do not disassemble or tamper with the battery cartridge.** It may result in a fire, excessive heat, or explosion.
3. **If operating time has become excessively shorter, stop operating immediately. It may result in a risk of overheating, possible burns and even an explosion.**
4. **If electrolyte gets into your eyes, rinse them out with clear water and seek medical attention right away. It may result in loss of your eyesight.**
5. **Do not short the battery cartridge:**
  - (1) **Do not touch the terminals with any conductive material.**
  - (2) **Avoid storing battery cartridge in a container with other metal objects such as nails, coins, etc.**
  - (3) **Do not expose battery cartridge to water or rain.**

**A battery short can cause a large current flow, overheating, possible burns and even a breakdown.**
6. **Do not store and use the tool and battery cartridge in locations where the temperature may reach or exceed 50 °C (122 °F).**
7. **Do not incinerate the battery cartridge even if it is severely damaged or is completely worn out. The battery cartridge can explode in a fire.**
8. **Do not nail, cut, crush, throw, drop the battery cartridge, or hit against a hard object to the battery cartridge.** Such conduct may result in a fire, excessive heat, or explosion.
9. **Do not use a damaged battery.**
10. **The contained lithium-ion batteries are subject to the Dangerous Goods Legislation requirements.**

For commercial transports e.g. by third parties, forwarding agents, special requirement on packaging and labeling must be observed.

For preparation of the item being shipped, consulting an expert for hazardous material is required. Please also observe possibly more detailed national regulations.

Tape or mask off open contacts and pack up the battery in such a manner that it cannot move around in the packaging.

11. **When disposing of the battery cartridge, remove it from the tool and dispose of it in a safe place. Follow your local regulations relating to disposal of battery.**
12. **Use the batteries only with the products specified by Makita.** Installing the batteries to non-compliant products may result in a fire, excessive heat, explosion, or leak of electrolyte.
13. **If the tool is not used for a long period of time, the battery must be removed from the tool.**
14. **During and after use, the battery cartridge may take on heat which can cause burns or low temperature burns. Pay attention to the handling of hot battery cartridges.**
15. **Do not touch the terminal of the tool immediately after use as it may get hot enough to cause burns.**
16. **Do not allow chips, dust, or soil stuck into the terminals, holes, and grooves of the battery cartridge.** It may cause heating, catching fire, burst and malfunction of the tool or battery cartridge, resulting in burns or personal injury.
17. **Unless the tool supports the use near high-voltage electrical power lines, do not use**

**the battery cartridge near high-voltage electrical power lines.** It may result in a malfunction or breakdown of the tool or battery cartridge.

18. **Keep the battery away from children.**

## SAVE THESE INSTRUCTIONS.

**⚠CAUTION:** Only use genuine Makita batteries. Use of non-genuine Makita batteries, or batteries that have been altered, may result in the battery bursting causing fires, personal injury and damage. It will also void the Makita warranty for the Makita tool and charger.

## Tips for maintaining maximum battery life

1. **Charge the battery cartridge before completely discharged. Always stop tool operation and charge the battery cartridge when you notice less tool power.**
2. **Never recharge a fully charged battery cartridge. Overcharging shortens the battery service life.**
3. **Charge the battery cartridge with room temperature at 10 °C - 40 °C (50 °F - 104 °F). Let a hot battery cartridge cool down before charging it.**
4. **When not using the battery cartridge, remove it from the tool or the charger.**
5. **Charge the battery cartridge if you do not use it for a long period (more than six months).**

## PARTS DESCRIPTION

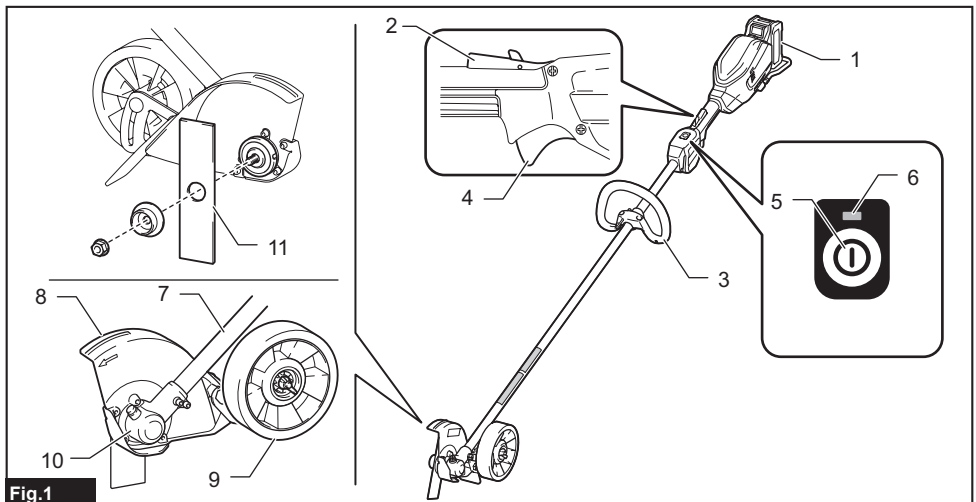


Fig.1

1	Battery cartridge	2	Lock-off lever	3	Handle	4	Switch trigger
5	Main power button	6	Indicator lamp	7	Shaft	8	Blade case
9	Wheel	10	Gear case	11	Blade		

# FUNCTIONAL DESCRIPTION

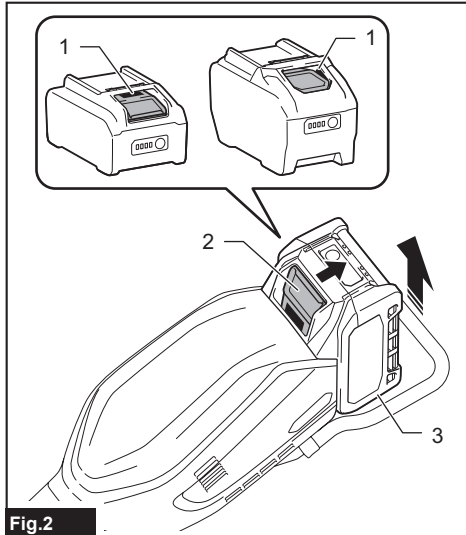
**⚠ WARNING:** Always be sure that the tool is switched off and the battery cartridge is removed before adjusting or checking function on the tool. Failure to switch off and remove the battery cartridge may result in serious personal injury from accidental start-up.

## Installing or removing battery cartridge

**⚠ CAUTION:** Always switch off the tool before installing or removing of the battery cartridge.  
**⚠ CAUTION:** Hold the tool and the battery cartridge firmly when installing or removing battery cartridge. Failure to hold the tool and the battery cartridge firmly may cause them to slip off your hands and result in damage to the tool and battery cartridge and a personal injury.

To install the battery cartridge, align the tongue on the battery cartridge with the groove in the housing and slip it into place. Insert it all the way until it locks in place with a little click. If you can see the red indicator as shown in the figure, it is not locked completely.

To remove the battery cartridge, slide it from the tool while sliding the button on the front of the cartridge.



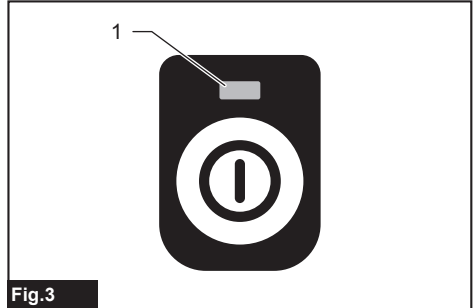
**Fig.2**  
 ▶ 1. Red indicator 2. Button 3. Battery cartridge

**⚠ CAUTION:** Always install the battery cartridge fully until the red indicator cannot be seen. If not, it may accidentally fall out of the tool, causing injury to you or someone around you.

**⚠ CAUTION:** Do not install the battery cartridge forcibly. If the cartridge does not slide in easily, it is not being inserted correctly.

## Tool / battery protection system

The tool is equipped with a tool/battery protection system. This system automatically cuts off power to the motor to extend tool and battery life. The tool will automatically stop during operation if the tool is placed under one of the following conditions:



**Fig.3**  
 ▶ 1. Indicator lamp

Indicator lamp		Status
Color	On / Blinking	
Green	On	Overload
Red	On (tool) / Blinking (battery)	Overheat
Red	Blinking	Over discharge

## Overload protection

If the tool or battery gets into one of the following situations, the tool automatically stops and the indicator lamp starts blinking in green:

- The tool is overloaded by entangled weeds or other debris.
- The cutting tool is locked or kicked back.
- The main power button is turned on while the switch trigger is being pulled.

In these situations, release the switch trigger and remove entangled weeds or debris if necessary. After that, push the lock lever down forward and squeeze the lock-off lever. Then, pull the switch trigger while holding the lock-off lever to resume.

**⚠ CAUTION:** If you need to remove the entangled weeds on the tool or release the locked cutting tool, be sure to turn the tool off before you start.

## Overheat protection

If the tool or battery cartridge is overheated, the tool stops automatically. When the tool is overheated, the indicator lamp lights up in red. When the battery cartridge is overheated, the indicator lamp blinks in red. Let the tool and/or battery cool down before turning the tool on again.

## Overdischarge protection

When the battery capacity becomes low, the tool stops automatically and the indicator lamp starts blinking in red. If the tool does not operate even when the switches are operated, remove the battery cartridge from the tool and charge it.

**NOTICE:** If the tool stops due to a cause not described above, refer to the section for troubleshooting.

## Indicating the remaining battery capacity

Press the check button on the battery cartridge to indicate the remaining battery capacity. The indicator lamps light up for a few seconds.

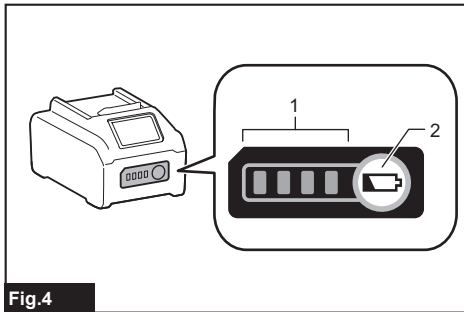


Fig.4

► 1. Indicator lamps 2. Check button

Indicator lamps			Remaining capacity
Lighted	Off	Blinking	
■ ■ ■ ■			75% to 100%
■ ■ ■ □			50% to 75%
■ ■ □ □			25% to 50%
■ □ □ □			0% to 25%
▬ □ □ □			Charge the battery.
■ ■ □ □			The battery may have malfunctioned.
□ □ ■ ■			

**NOTE:** Depending on the conditions of use and the ambient temperature, the indication may differ slightly from the actual capacity.

**NOTE:** The first (far left) indicator lamp will blink when the battery protection system works.

## Main power switch

**⚠ WARNING:** Always turn off the main power switch when not in use.

Press the main power button to turn on the tool. To turn off the tool, press the main power button.

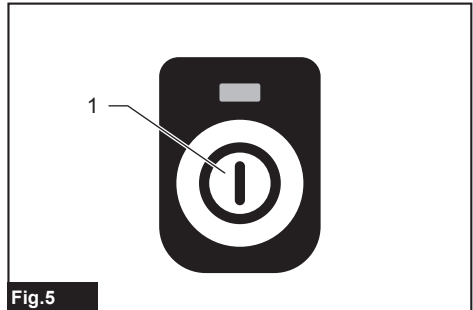


Fig.5

► 1. Main power button

**NOTE:** The indicator lamp blinks if the switch trigger is pulled under unoperable conditions. The indicator lamp blinks if you turn on the main power switch while holding down the lock-off lever and the switch trigger.

**NOTE:** To avoid unintentional start up when the switch trigger is not pulled for 5 minutes after the main power switch is turned on, the indicator lamp will turn off and the main power switch will automatically shut down.

## Switch action

**⚠ WARNING:** For your safety, this tool is equipped with a lock-off lever which prevents the tool from unintended starting. **NEVER** use the tool if it runs when you simply pull the switch trigger without pressing the lock-off lever. Return the tool to our authorized service center for proper repairs **BEFORE** further usage.

**⚠ WARNING:** **NEVER** tape down or defeat the purpose and function of lock-off lever.

**⚠ CAUTION:** Before installing the battery cartridge into the tool, always check to see that the switch trigger actuates properly and returns to the "OFF" position when released.

**⚠ CAUTION:** Never put your finger on the main power button and switch trigger when carrying the tool. The tool may start unintentionally and cause injury.



**NOTICE:** Do not pull the switch trigger hard without pressing the lock-off lever. This can cause switch breakage.

To prevent the switch trigger from being accidentally pulled, a double lock-off lever is provided for safety. To start the tool, push the lock lever down forward past its normal position using the web of your hand (i.e., the part between thumb and index finger) and squeeze the lock-off lever with your palm. Then pull the switch trigger while holding the lock-off lever.

Tool speed is increased by increasing the pressure on the switch trigger.

Release the switch trigger to stop.

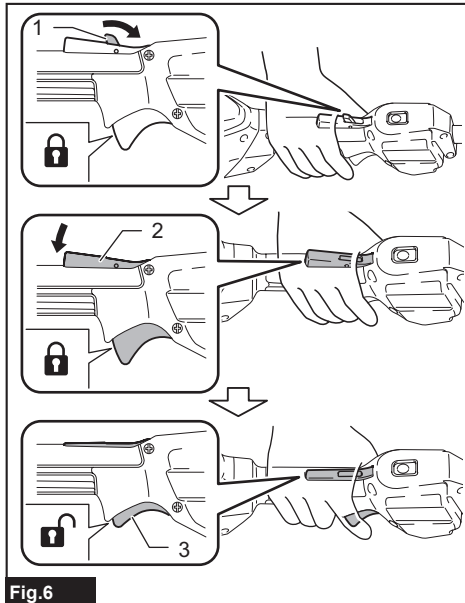


Fig.6

► 1. Lock lever 2. Lock-off lever 3. Switch trigger

## Electronic torque control function

The tool electronically detects a sudden drop in the rotation speed which may cause a kickback. In this situation, the tool automatically stops to prevent further rotation of cutting tool. To restart the tool, release the switch trigger. Clear the cause of sudden drop in the rotation speed and then turn the tool on.

**NOTE:** This function is not a preventive measure for kickbacks.

## Electronic function

The tool is equipped with the electronic functions for easy operation.

- Constant speed control  
The speed control function provides the constant rotation speed regardless of load conditions.
- Electric brake  
This tool is equipped with an electric brake. If the tool consistently fails to stop the shear blades quickly after the switch trigger is released, have the tool serviced at Makita Authorized Service Center.
- Soft start feature  
The soft start feature reduces starting reaction.

## ASSEMBLY

**⚠WARNING:** Always be sure that the tool is switched off and battery cartridge is removed before carrying out any work on the tool. Failure to switch off and remove the battery cartridge may result in serious personal injury from accidental start-up.

**⚠WARNING:** Never start the tool unless it is completely assembled. Operation of the tool in a partially assembled state may result in serious personal injury from accidental start-up.

## Mounting the handle

1. Attach the upper and lower clamps on the damper.
2. Put the handle on the upper clamp and fix it with hex socket head bolts as illustrated.

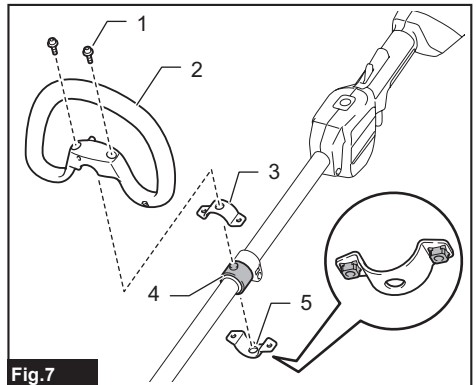


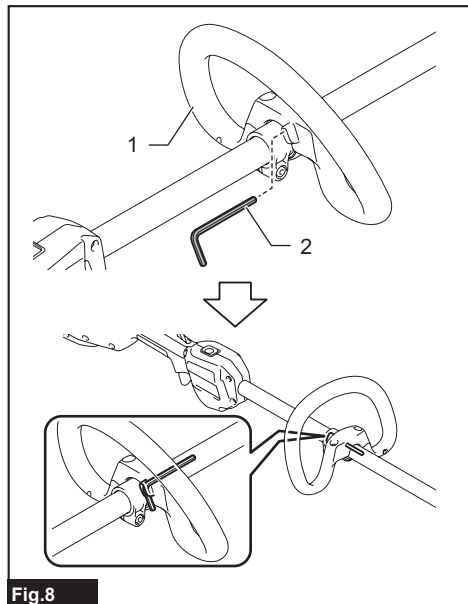
Fig.7

- 1. Hex socket head bolt 2. Handle 3. Upper clamp  
4. Damper 5. Lower clamp

## Hex wrench storage

**⚠ CAUTION:** Be careful not to leave the hex wrench inserted in the tool head. It may cause injury and/or damage to the tool.

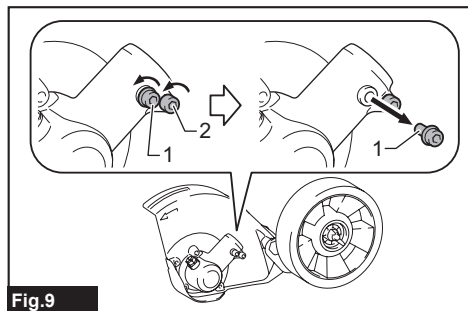
When not in use, store the hex wrench as illustrated to keep it from being lost.



► 1. Handle 2. Hex wrench

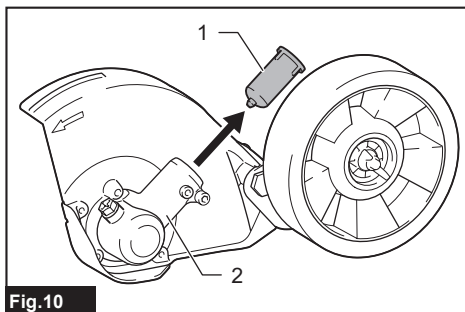
## Installing the blade case

1. Loosen 2 bolts by hex wrench, and then remove the bolt (short).



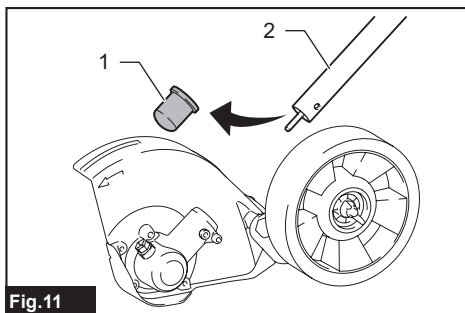
► 1. Bolt (short) 2. Bolt (long)

2. Remove the cap from the gear case.



► 1. Cap 2. Gear case

3. Remove the cap from the shaft.



► 1. Cap 2. Shaft

4. Insert the shaft into the gear case.

5. Align the gear case with the hole for positioning at the end of the shaft, insert the bolt (short), and tighten with a hex wrench.

- Tighten the bolt (long) with a hex wrench to fix the shaft.

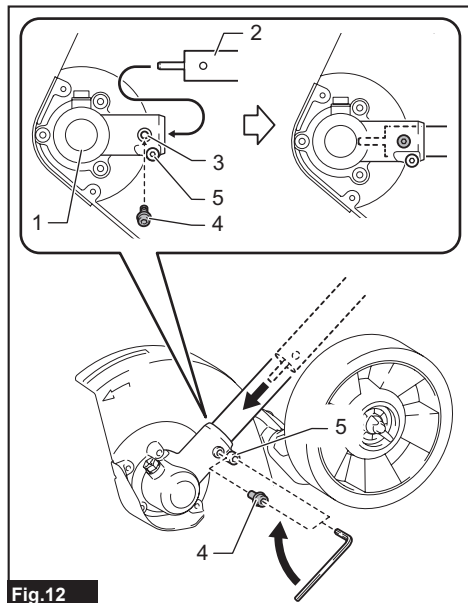


Fig.12

1. Gear case
2. Shaft
3. Hole for positioning
4. Bolt (short)
5. Bolt (long)

**NOTE:** When tightening the bolts, apply the tightening torque as shown in the table.

Bolt	Tightening torque (N•m)
Bolt (short)	2.0 - 4.0
Bolt (long)	5.0 - 8.0

## Installing and removing the blade

- Turn the receive washer so that the hole on the receive washer aligns with the hole on the gear case.
- Insert the hex wrench through the holes. Make sure the receive washer does not turn.
- Holding the hex wrench, turn the nut clockwise using a socket wrench.
- Remove the nut and the clamp.
- Place the blade.
- Return the clamp and the nut.
- Holding the hex wrench, turn the nut counterclockwise to fasten the blade.

To remove the blade, follow the same steps above and remove the blade at step 5.

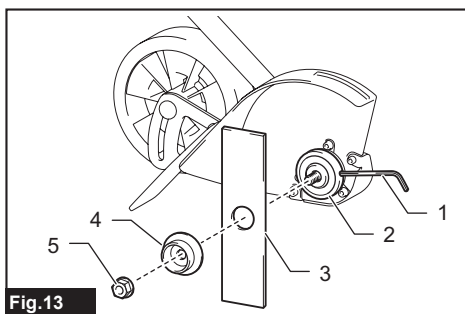


Fig.13

1. Hex wrench
2. Receive washer
3. Blade
4. Clamp
5. Nut (with spring washer)

**NOTE:** The cutter blade-fastening nut (with spring washer) wears out in course of time. If there appears any wear or deformation on the nut, replace it.

## OPERATION

**WARNING:** Follow the warnings and precautions in the chapter "SAFETY WARNINGS".

### Adjusting the blade depth

- Loosen the wing nut on the wheel.
- Move the wheel and adjust the height according to the operation, then tighten the wing nut.

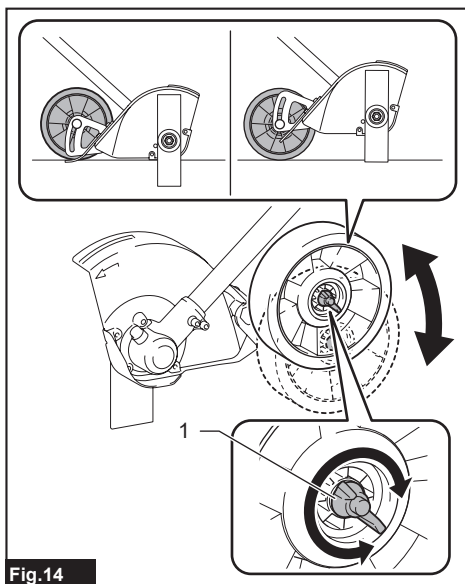


Fig.14

1. Wing nut

## Operation tips

- Before edging, water the area to soften the ground and make edging easier.
- Before edging, check the area and remove all obstacles and objects that could be thrown.
- Plan to edge regularly to make it easier to keep a neat edge and to avoid having to make more than one pass.

**NOTE:** Blade depth may have to be adjusted due to differences in height between the hard surface and the top of the grass.

- Adjust the blade's depth of cut to produce a fine cut between sidewalk and grass using a minimum blade depth, usually with about 13 mm (1/2") of the blade into the ground.

## MAINTENANCE

**⚠WARNING:** Always be sure that the tool is switched off and battery cartridge is removed before attempting to perform inspection or maintenance on the tool. Failure to switch off and remove the battery cartridge may result in serious personal injury from accidental start-up.

**⚠WARNING:** When inspecting or maintaining the equipment, always put it down. Assembling or adjusting the equipment in an upright position may result in serious injury.

**⚠WARNING:** Follow the warnings and precautions in the chapter "SAFETY WARNINGS".

**NOTICE:** Never use gasoline, benzine, thinner, alcohol or the like. Discoloration, deformation or cracks may result.

To maintain product SAFETY and RELIABILITY, repairs, any other maintenance or adjustment should be performed by Makita Authorized or Factory Service Centers, always using Makita replacement parts.

### Resharpener the cutting tool

**⚠WARNING:** Do not sharpen cutting blades by yourself. Manual sharpening unbalances a cutting blade and it can cause vibrations and damage to the equipment.

Ask Makita authorized service center to sharpen and rebalance blunt cutter blades.

### Lubricating moving parts

**NOTICE:** Follow the instruction of the frequency and amount of grease supplied. Otherwise insufficient lubrication may damage moving parts.

## Gear case

Supply grease (Shell Alvania 2 or equivalent) to the gear case through the grease hole every 30 hours of operation. (Genuine Makita grease may be purchased from your local Makita dealer.)

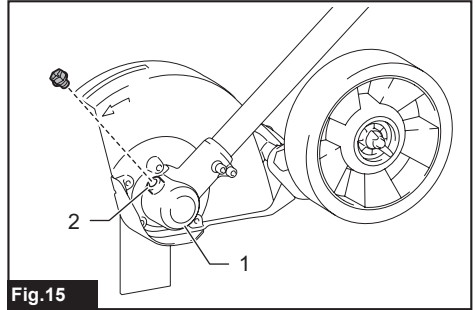


Fig.15

► 1. Gear case 2. Grease hole

## Overall inspection

- Tighten loose bolts, nuts and screws.
- Check for damaged parts. Ask Makita authorized service center to replace them.

## Cleaning the tool

Clean the tool by wiping off dust, dirt, or cut off grass with a dry cloth or one dipped in soapy water and wrung out. To avoid overheating of the tool, be sure to remove the cut off grass or debris adhered to the vent of the tool.

## Battery guard

**⚠WARNING:** Do not remove the battery guard. Do not use the tool with the battery guard removed or damaged. Direct impact to the battery cartridge may cause battery malfunction and result in injury and/or fire. If the battery guard is deformed or damaged, contact your authorized service center for repairs.

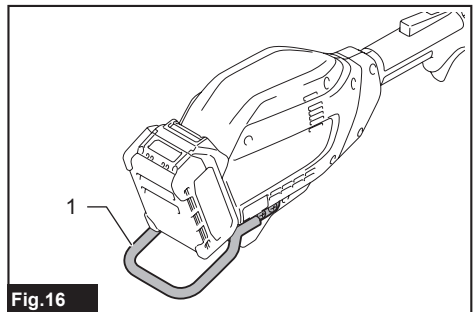


Fig.16

► 1. Battery guard

# TROUBLESHOOTING

Before asking for repairs, conduct your own inspection first. If you find a problem that is not explained in the manual, do not attempt to dismantle the tool. Instead, ask Makita Authorized Service Centers, always using Makita replacement parts for repairs.

State of abnormality	Probable cause (malfunction)	Remedy
Motor does not run.	Battery cartridge is not installed.	Install the battery cartridge.
	Battery problem (under voltage)	Recharge the battery. If recharging is not effective, replace battery.
	The drive system does not work correctly.	Ask your local authorized service center for repair.
Motor stops running after a little use.	Battery's charge level is low.	Recharge the battery. If recharging is not effective, replace battery.
	Overheating.	Stop using of tool to allow it to cool down.
It does not reach maximum RPM.	Battery is installed improperly.	Install the battery cartridge as described in this manual.
	Battery power is dropping.	Recharge the battery. If recharging is not effective, replace battery.
	The drive system does not work correctly.	Ask your local authorized service center for repair.

## OPTIONAL ACCESSORIES

**⚠ CAUTION:** These accessories or attachments are recommended for use with your Makita tool specified in this manual. The use of any other accessories or attachments might present a risk of injury to persons. Only use accessory or attachment for its stated purpose.

If you need any assistance for more details regarding these accessories, ask your local Makita Service Center.

- Blade
- Makita genuine battery and charger

**NOTE:** Some items in the list may be included in the tool package as standard accessories. They may differ from country to country.





**Makita Corporation**  
3-11-8, Sumiyoshi-cho,  
Anjo, Aichi 446-8502 Japan  
[www.makita.com](http://www.makita.com)

885A84-926 EN 20240513
------------------------------