



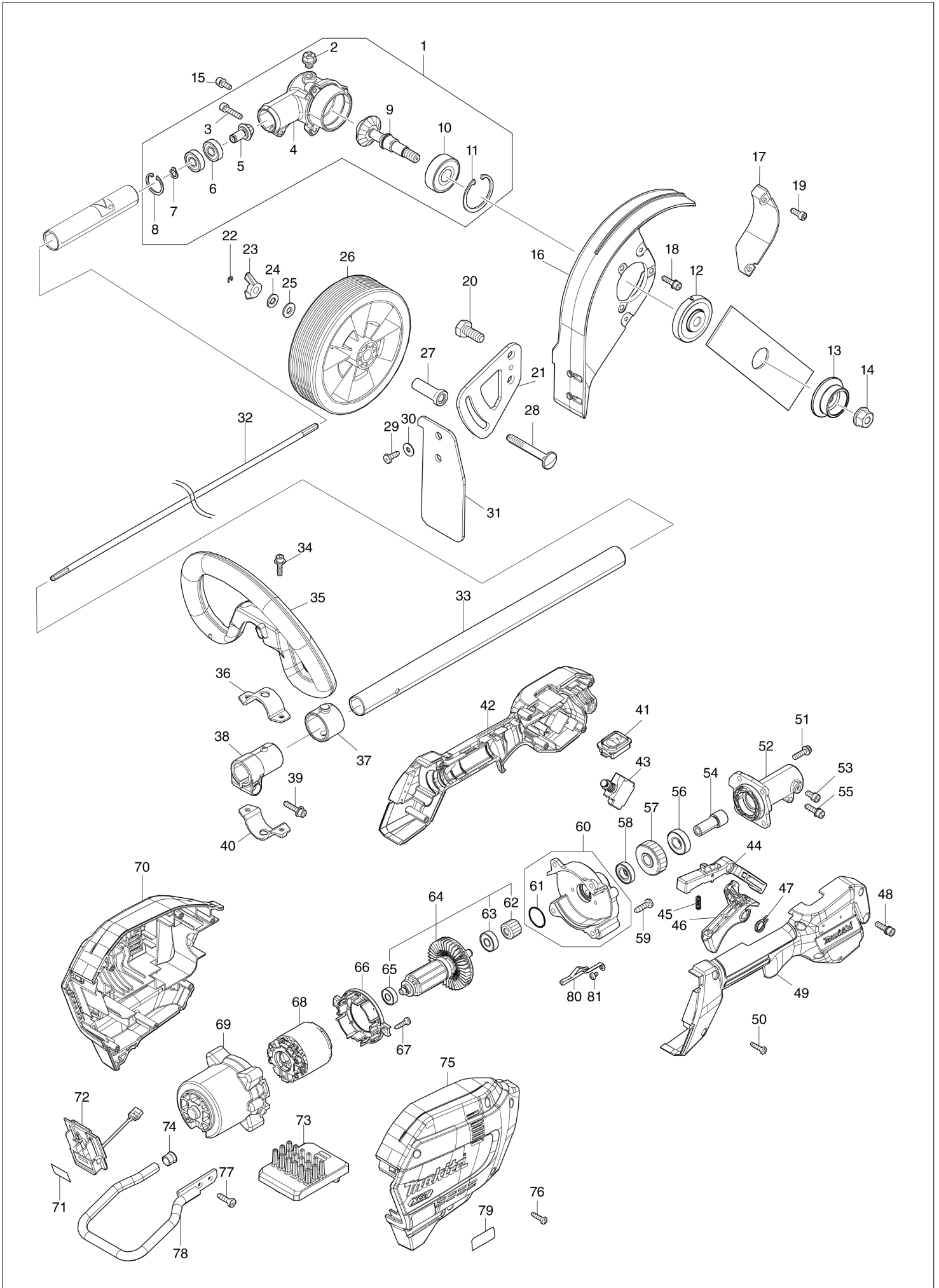
# Diagram / Parts List

**UE001G**

**CORDLESS EDGER**



(IN) UE001G / CORDLESS EDGER



<b>IN</b>	<b>INDIA</b>
-----------	--------------

### UE001G / CORDLESS EDGER

Item	Sub	Parts No.	Parts Description	Qty	I/C	E/C No.	Close No.	Remark
001		126414-6	GEAR CASE ASS'Y	1				
	D10		INC. 2-11					
002		265590-2	+HEX.BOLT M8X10 WITH R	1				
003		922241-7	HEX. SOCKET HEAD BOLT M5X25	1				
004		319102-4	GEAR CASE	1				
005		227629-9	SPIRAL BEVEL GEAR 14	1				
006		210049-4	BALL BEARING 609ZZ	2				
007		961005-4	RETAINING RING S-9	1				
008		962103-7	RETAINING RING R-24	1				
009		126415-4	CUTTER SHAFT ASS'Y	1				
010		211231-8	BALL BEARING 6302DDW	1				
011		962201-7	RETAINING RING (INT) R-42	1				
012		326734-0	RECEIVE WASHER	1				
013		326381-7	CLAMP	1				
014		264025-0	HEX. NUT M10-17	1				
015		922218-2	H.S.H.BOLT M5X14 WITH WR	1				
016		319103-2	BLADE CASE	1				
017		346759-8	GUARD PLATE	1				
018		922233-6	H.S.H.BOLT M5X20 WITH WR	3				
019		266874-1	H.S.H.BOLT M5X14	2				
020		921542-0	HEX. BOLT M10X25	2				
021		346758-0	PLATE	1				
022		234355-3	RING SPRING 5	1				
023		934401-9	WING NUT M8	1				
024		942201-3	SPRING WASHER 8	1				
025		941201-0	FLAT WASHER 8	1				
026		454843-6	WHEEL	1				
027		257821-3	SLEEVE 8	1				
028		266937-3	C.HEAD SQUARE NECK BOLT M8X64	1				
029		266027-2	TAPPING SCREW CT5X16	2				
030		253804-1	FLAT WASHER 6	2				
031		424615-3	DEFLECTOR	1				
032		327056-1	SHAFT	1				
033		1410L1-4	SHAFT PIPE COMPLETE	1				
	C10	819312-8	MAKITA LOGO LABEL	1				
	C20	8079M1-2	CAUTION LABEL	1				
034		922234-4	H.S.H.BOLT M5X20 WITH WG	2				
035		457267-5	LOOP HANDLE	1				
	C10	263005-3	RUBBER PIN 6	1				
036		347113-9	UPPER CLAMP 35	1				
037		424942-8	DAMPER	1				
038		457269-1	PIPE HOLDER 24	1				
039		922244-1	H.S.H.BOLT M5X25 WITH WG	1				
040		347114-7	LOWER CLAMP 35	1				
041		140X08-7	SWITCH CIRCUIT COMPLETE	1				
	C10	810D46-0	SWITCH LABEL	1				
042		1830W8-1	GRIP SET	1				
	D10		INC. 49					
043		651492-2	SWITCH C3JR-1A-PAXD3	1				
044		141X89-4	LOCK OFF LEVER COMPLETE	1				
045		233101-1	COMPRESSION SPRING 4	1				
046		459758-2	SWITCH LEVER	1				
047		233622-3	TORSION SPRING 12	1				
048		922233-6	H.S.H.BOLT M5X20 WITH WR	1				
049		1830W8-1	GRIP SET	1				
	D10		INC. 42					
050		266326-2	TAPPING SCREW 4X18	6				
051		911233-1	PAN HEAD SCREW M5X20	4				
052		140Y38-4	PIPE BRACKET COMPLETE	1				
	C10	263002-9	RUBBER PIN 4	1				
053		922211-6	H.S.H.BOLT M5X12 WITH W	1				
054		325811-5	SPINDLE HUB	1				
055		922233-6	H.S.H.BOLT M5X20 WITH WR	1				
056		211131-2	BALL BEARING 6001DDW	1				
057		227848-7	HELICAL GEAR 33	1				

A:UE001GZ(N)

Interchange  
 O : Yes  
 X : No  
 < : the new part can be substituted for the current.  
 > : the current part can be substituted for the new.  
 S : Interchangeable as a set.

