



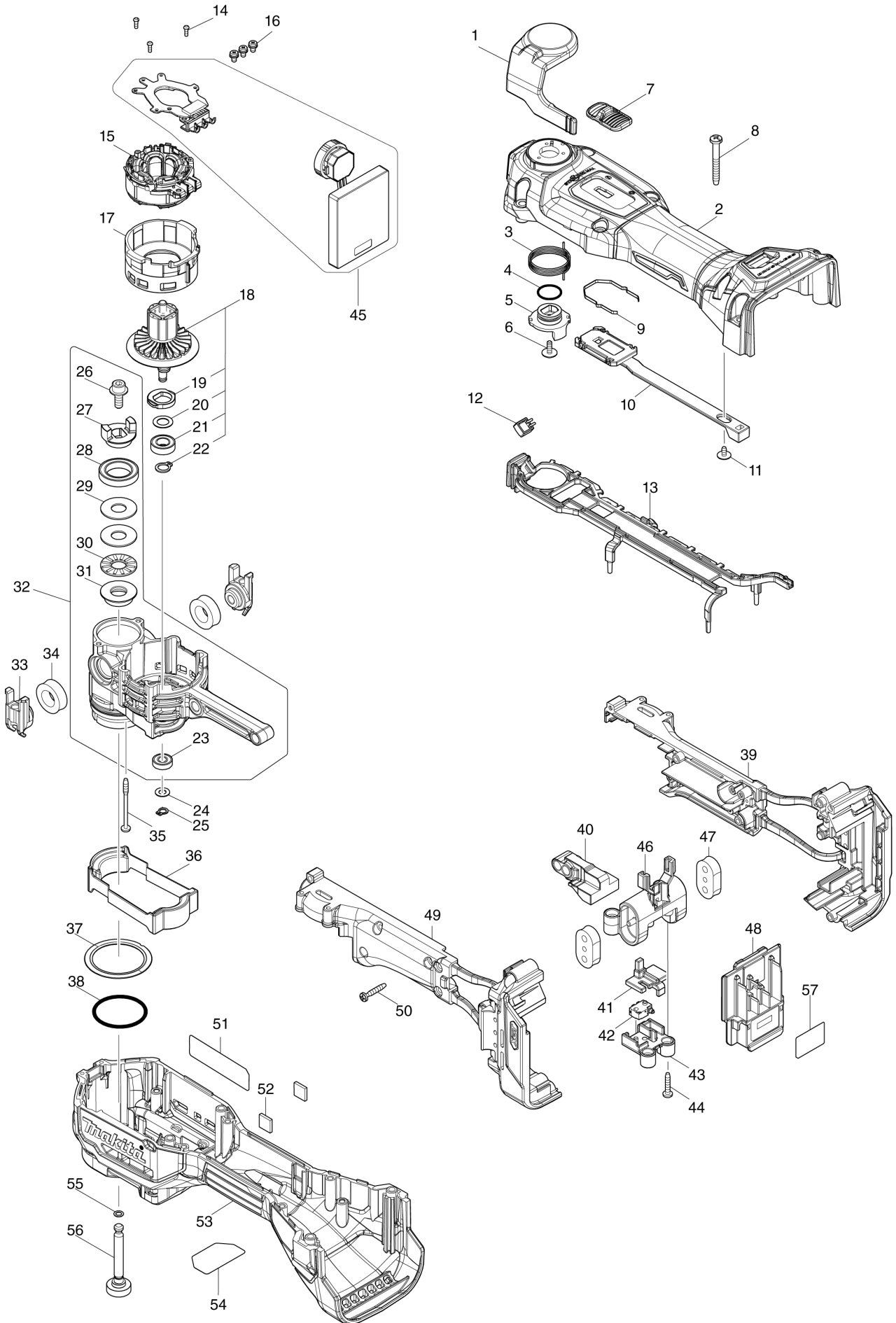
Diagram / Parts List

TM001G

CORDLESS MULTI TOOL



(IN) TM001G / CORDLESS MULTI TOOL



IN

INDIA

TM001G / CORDLESS MULTI TOOL

Item	Sub	Parts No.	Parts Description	Qty	I/C	E/C No.	Close No.	Remark
001		137159-1	LEVER ASS'Y	1				
	C10	263032-0	RUBBER PIN 4	1				
002		1831A6-7	HOUSING SET	1				
	D10		INC. 52,53,54					
003		232680-6	TORSION SPRING 25	1				
004		213070-2	O RING 10	1				
005		313517-7	DRIVER B	1				
006		265B82-3	P.H.SCREW M3X10 WITH WR	1				
007		413G34-0	SWITCH KNOB	1				
008		266351-3	TAPPING SCREW 4X35	8				
009		232906-6	LEAF SPRING	1				
010		4131D9-1	SWITCH LEVER A	1				
011		265B81-5	TAPPING SCREW FLANGE 3X6	1				
012		620E79-1	LED CIRCUIT	1				
013		413400-9	LED GUIDE	1				
014		266490-9	TAPPING SCREW PT 2X6	3				
015		629C79-6	STATOR	1				
016		652069-6	FLAT HEAD SCREW M3X6	3				
017		413394-8	MOTOR HOUSING	1				
018		519683-0	ROTOR ASSY	1				
	C10	210248-8	BALL BEARING 6901DDW	1				
	C20	253492-4	FLAT WASHER 21	1				
	D10		INC. 19-22					
019		313361-2	BALANCER	1				
020		253777-8	FLAT WASHER 8	1				
021		210249-6	BALL BEARING 688LLU	1				
022		961004-6	RETAINING RING (EXT) S-8	1				
023		210281-0	BALL BEARING 695 DDW	1				
024		253811-4	FLAT WASHER 5	1				
025		961008-8	RETAINING RING S-5	1				
026		265B79-2	H.S.H.BOLT M5X14 WITH GM	1				
027		313516-9	DRIVER A	1				
028		210150-5	BALL BEARING 6803DDW	1				
029		216054-9	WASHER 1024	2				
030		216055-7	THRUST NEEDLE CAGE 1024	1				
031		224616-9	FLANGE 10	1				
032		137120-8	CRANK HOUSING ASS'Y	1				
	D10		INC. 23,26-31					
033		413401-7	CUSSION SUPPORT F	2				
034		422677-5	CUSHION F	2				
035		266327-0	TAPPING SCREW 3X40	4				
036		422721-8	CAP	1				
037		422B02-2	RUBBER RING 35	1				
038		213497-6	O-RING 31.5	1				
039		1830W2-3	INNER HOUSING SET	1				
	C10	263005-3	RUBBER PIN 6	2				
	D10		INC. 49					
040		313365-4	WEIGHT	1				
041		4131E0-6	SWITCH LEVER B	1				
042		632S34-5	SWITCH UNIT	1				
043		4131E2-2	SWITCH BASE	1				
044		266429-2	TAPPING SCREW 3X16	2				
045		620P59-3	CONTROLLER	1				
046		4131E1-4	SWITCH COVER	1				
047		422678-3	CUSHION R	2				
048		632P65-6	TERMINAL UNIT	1				
049		1830W2-3	INNER HOUSING SET	1				
	C10	263005-3	RUBBER PIN 6	2				
	D10		INC. 39					
050		251497-8	TAPPING SCREW 3X20	8				
051		8147N1-0	TM001G NAME PLATE	1				
052		422679-1	CUSHION M	2				
053		1831A6-7	HOUSING SET	1				
	D10		INC. 2,52,54					
054		8032F3-5	INDICATION LABEL	1				

A:TM001GZ(N)
B:TM001GD201(H)

Interchange
O : Yes
X : No
< : the new part can be substituted for the current.
> : the current part can be substituted for the new.
S : Interchangeable as a set.

