

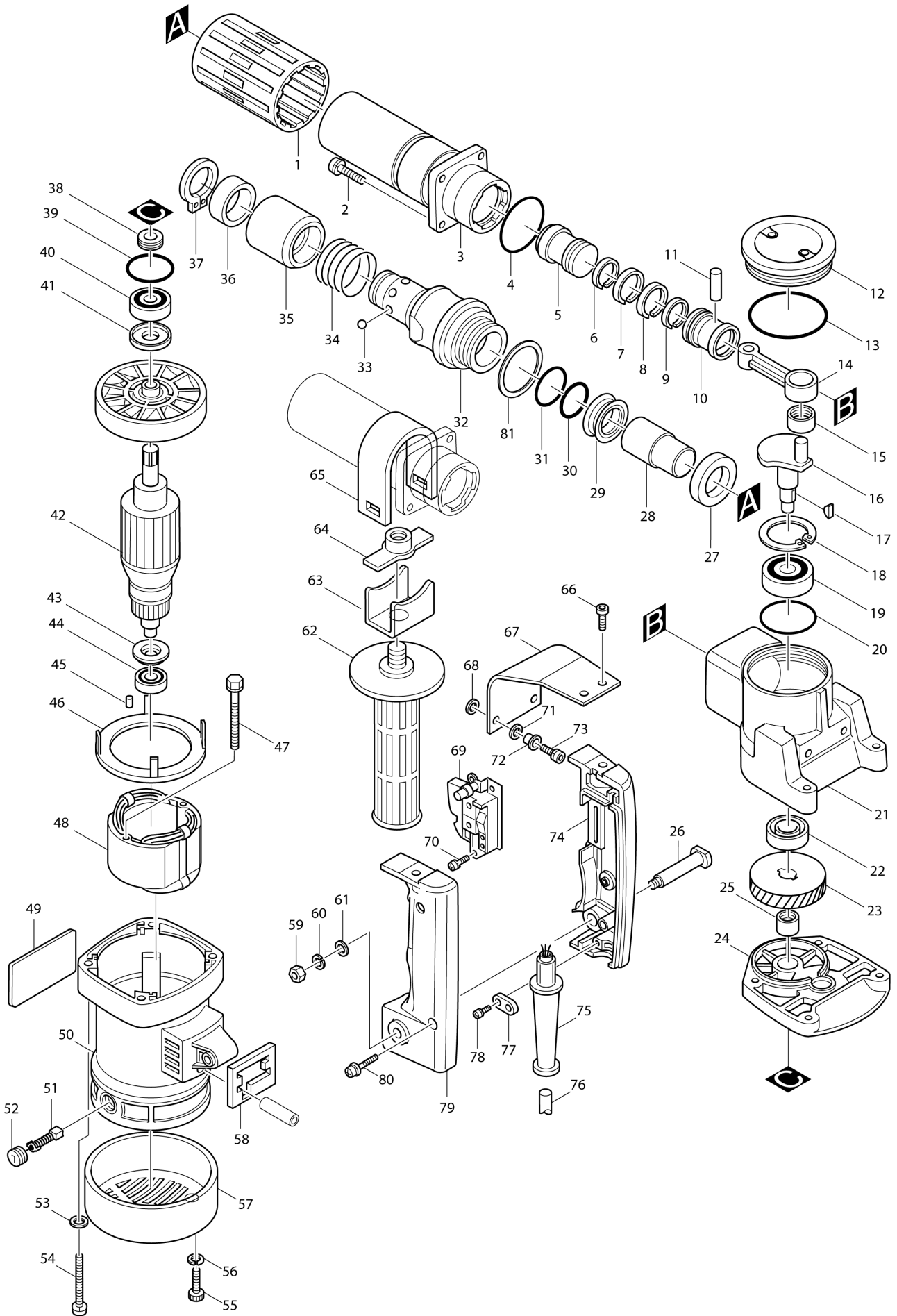


Diagram / Parts List

HM0810TA

DEMOLITION HAMMER

(IN) HM0810TA / DEMOLITION HAMMER



IN

INDIA

HM0810TA / DEMOLITION HAMMER

| Item | Sub | Parts No. | Parts Description | Qty | I/C | E/C No. | Close No. | Remark |
|--------|-----|-----------|-----------------------------|-----|-----|---------|-----------|----------|
| 001 | | 421541-7 | BARREL COVER | 1 | | | D8690 | |
| 001-1 | | 421541-7 | BARREL COVER | 1 | O | D8690 | | |
| 002 | | 922341-3 | HEX. SOCKET HEAD BOLT M6X25 | 4 | | | | |
| 003 | | 151457-9 | BARREL COMPLETE | 1 | | | | |
| 004 | | 213554-0 | O RING 44 | 1 | | | | |
| 005 | | 321929-0 | STRIKER | 1 | | | | |
| 006 | | 412073-5 | INNER RING 26 | 1 | | | | |
| 007 | | 412053-1 | PISTON RING 30 | 1 | | | | |
| 008 | | 412053-1 | PISTON RING 30 | 1 | | | | |
| 009 | | 321514-9 | INNER RING 26 | 1 | | | | |
| 010 | | 321958-3 | PISTON | 1 | | | | |
| 011 | | 256165-8 | PIN 8 | 1 | | | | |
| 012 | | 411709-3 | CRANK CAP | 1 | | | | |
| 013 | | 213654-6 | O RING 60 | 1 | | | | |
| 014 | | 312956-8 | ROD | 1 | | | | |
| 015 | | 212108-0 | NEEDLE BEARING 1212 | 1 | | | | |
| 016 | | 321954-1 | CRANK SHAFT | 1 | | | | |
| 017 | | 254001-2 | WOODRUFF KEY 4 | 2 | | | | |
| 018 | | 962203-3 | RETAINING RING R-47 | 1 | | | | |
| 019 | | 211279-0 | BALL BEARING 6303LLU | 1 | | | | |
| 020 | | 213606-7 | O RING 48 | 1 | | | | |
| 021 | | 157627-8 | CRANK HOUSING COMPLETE | 1 | | | | |
| | D10 | | INC. 20 | | | | | |
| 022 | | 213260-7 | OIL SEAL 17 | 1 | | | | |
| 023 | | 221669-9 | HELICAL GEAR 41 | 1 | | | | |
| 024 | | 157628-6 | GEAR HOUSING | 1 | | | | |
| | D10 | | INC. 39 | | | | | |
| 025 | | 212102-2 | NEEDLE BEARING 1210 | 1 | | | | |
| 026 | | 321210-9 | HANDLE SHAFT | 1 | | | | |
| 027 | | 253955-0 | FLAT WASHER 24 | 1 | | | | |
| 028 | | 321495-7 | IMPACT BOLT | 1 | | | | |
| 029 | | 213428-5 | X RING 28 | 1 | | | | |
| 030 | | 213411-2 | O RING 27 | 1 | | | | |
| 031 | | 213508-7 | O RING 38 | 1 | | | | |
| 032 | | 193004-0 | TOOL HOLDER SET | 1 | | | | |
| | D10 | | INC. 31,33-37,81 | | | | | |
| 033 | | 216004-4 | STEEL BALL 7.9 | 6 | | | | |
| 034 | | 233191-4 | COMPRESSION SPRING 30 | 1 | | | | |
| 035 | | 331518-3 | CHANGE RING | 1 | | | | |
| 036 | | 257206-3 | RING 29 | 1 | | | | |
| 037 | | 961108-4 | RETAINING RING S-28 | 1 | | | | |
| 038 | | 331194-3 | SEAL | 1 | | | | |
| 039 | | 213459-4 | O RING 32 | 1 | | | | |
| 040 | | 211106-1 | BALL BEARING 6201LLB | 1 | | | | |
| 041 | | 213102-5 | DUST SEAL 12 | 1 | | | | |
| 042B | | 516149-1 | ARMATURE ASS'Y 240V | 1 | | | | 230-240V |
| 042L | | 516146-7 | ARMATURE ASS'Y 115V | 1 | | | | 110V |
| | C10 | 241827-1 | FAN 82 | 1 | | | | |
| | D10 | | INC. 40,41,43,44 | | | | | |
| 043 | | 681625-5 | INSULATION WASHER | 1 | | | | |
| 044 | | 211031-6 | BALL BEARING 608LLB | 1 | | | | |
| 045B | | 263014-2 | RUBBER PIN 4 | 1 | | | A3973 | |
| 045-1B | | 263002-9 | RUBBER PIN 4 | 1 | O | A3973 | | |
| 045-1L | | 263002-9 | RUBBER PIN 4 | 1 | | | | |
| 046 | | 410509-8 | BAFFLE PLATE | 1 | | | | |
| 047 | | 265345-5 | + HEX. BOLT M5X60 | 2 | | | | |
| 048B | | 522509-7 | FIELD ASS'Y 240V | 1 | | | | 230-240V |
| 048L | | 522506-3 | FIELD ASS'Y 115V | 1 | | | | 110V |
| | C10 | 654019-7 | RING TERMINAL | 2 | | | | |
| | C20 | 654501-6 | CONNECTOR P-1.25 | 2 | | | DE676 | |
| | C21 | 654485-8 | PARALLEL SPLICE | 2 | O | DE676 | | |
| 049 | | 814F67-6 | HM0810TA NAME PLATE | 1 | | | | |
| 050 | | 159634-7 | MOTOR HOUSING | 1 | | | | |
| | C10 | 643603-3 | BRUSH HOLDER 6-10 | 2 | | | | |
| | D10 | | INC. 45 | | | | | |

B:HM0810TA(H)
L:HM0810TA(L)

Interchange
O : Yes
X : No
< : the new part can be substituted for the current.
> : the current part can be substituted for the new.
S : Interchangeable as a set.

