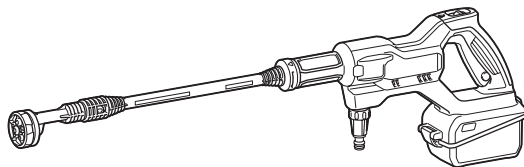




<b>EN</b>	<b>Cordless Pressure Washer</b>	<b>INSTRUCTION MANUAL</b>	<b>8</b>
<b>ESMX</b>	<b>Hidrolavadora Inalámbrica de Presión</b>	<b>MANUAL DE INSTRUCCIONES</b>	<b>19</b>
<b>PTBR</b>	<b>Lavadora de Alta Pressão Portátil a Bateria</b>	<b>MANUAL DE INSTRUÇÕES</b>	<b>32</b>

## DHW180



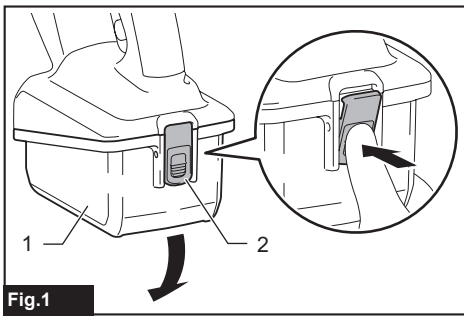


Fig.1

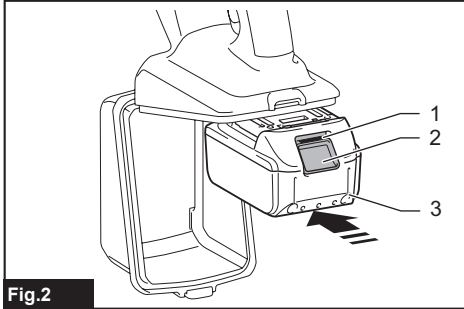


Fig.2

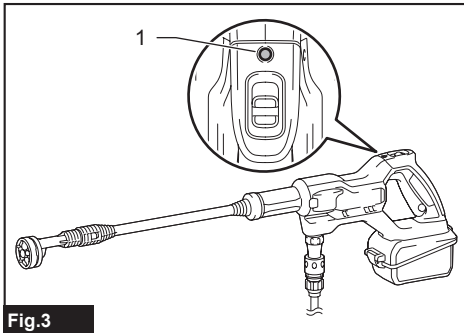


Fig.3

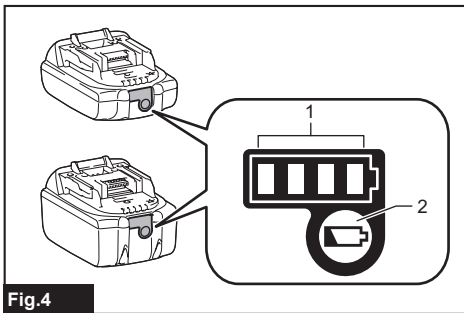


Fig.4

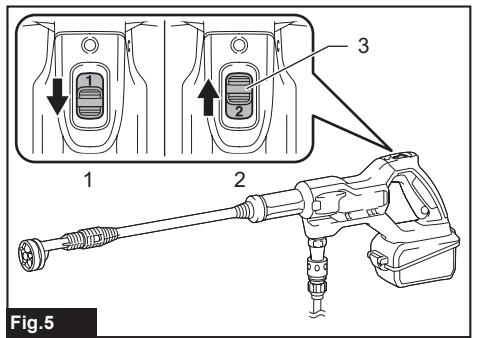


Fig.5

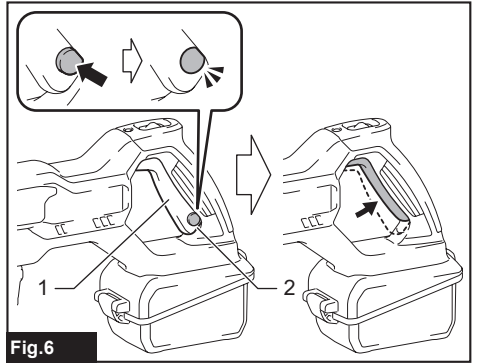


Fig.6

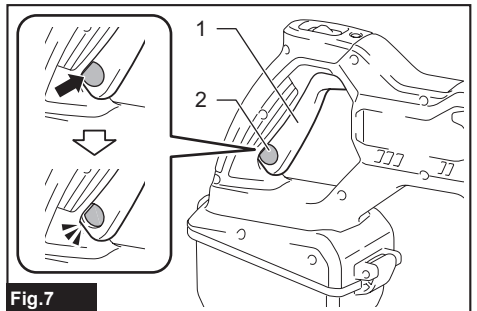


Fig.7

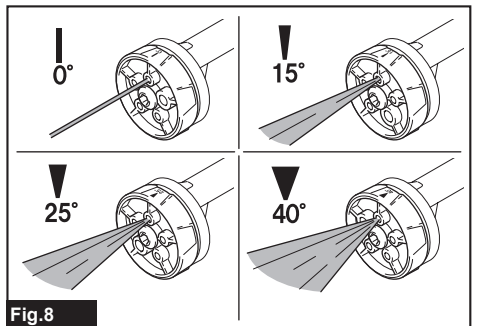


Fig.8

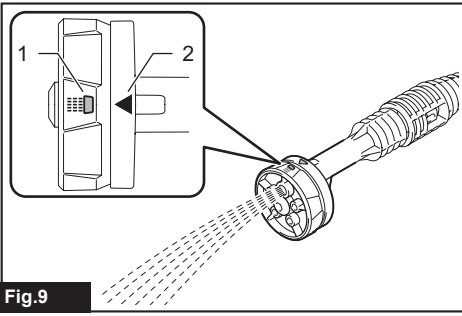


Fig.9

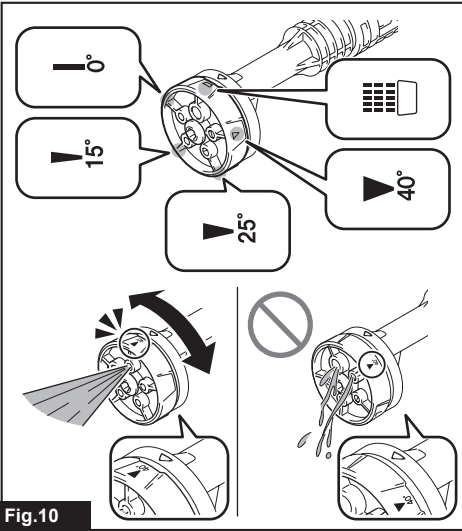


Fig.10

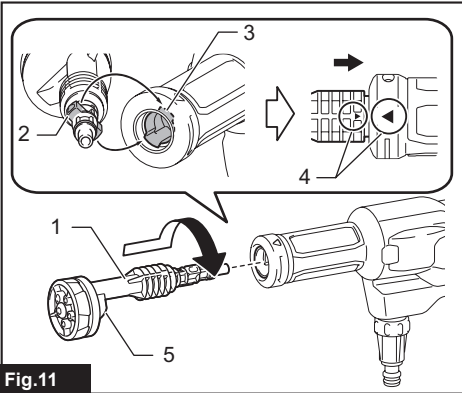


Fig.11

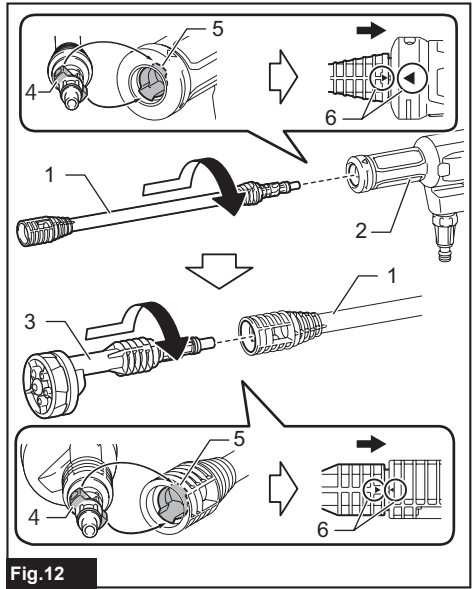


Fig.12

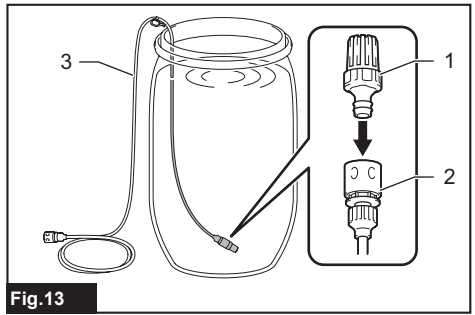


Fig.13

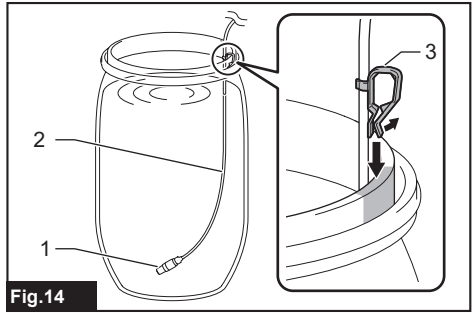
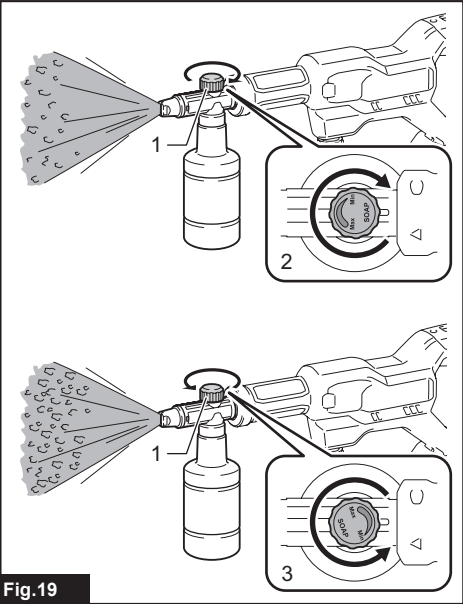
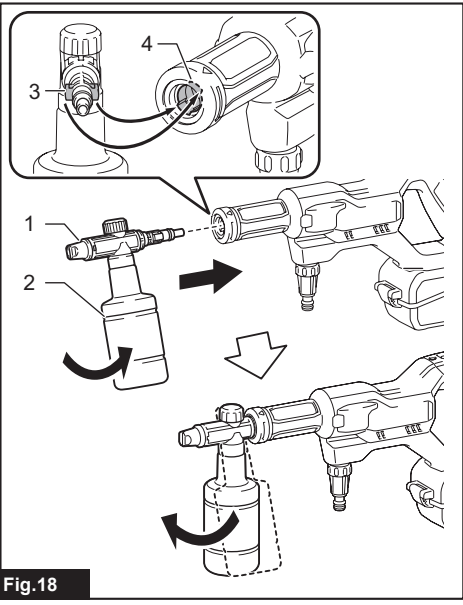
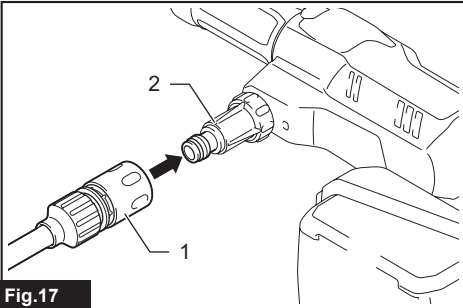
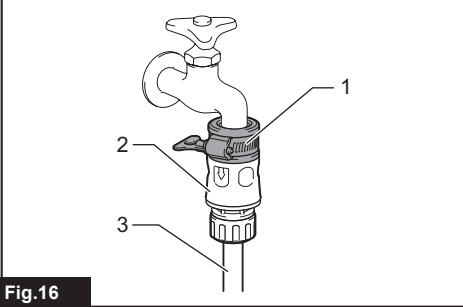
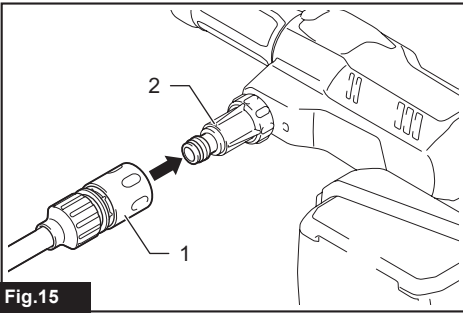


Fig.14



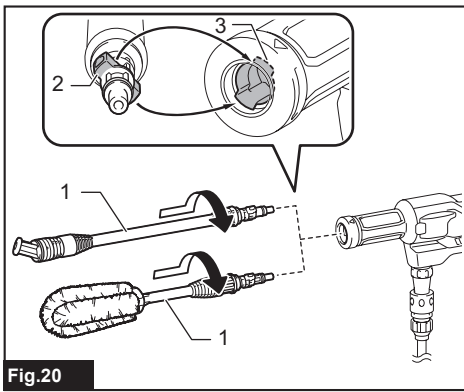


Fig.20

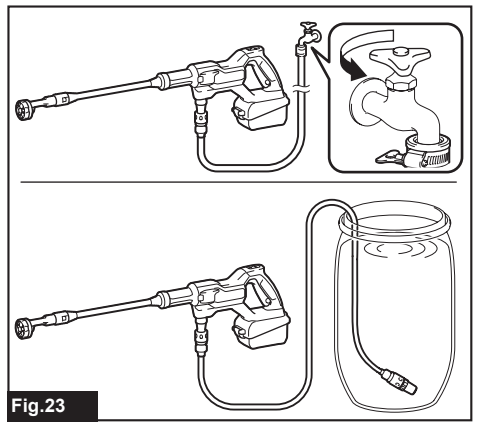


Fig.23

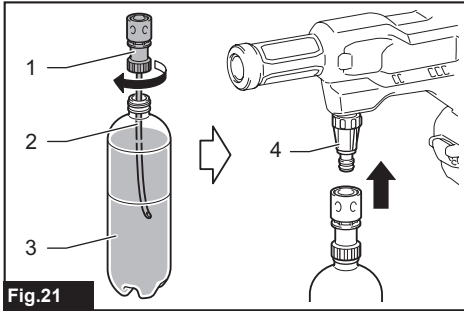


Fig.21

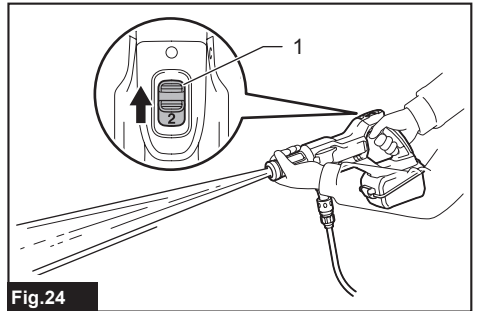


Fig.24

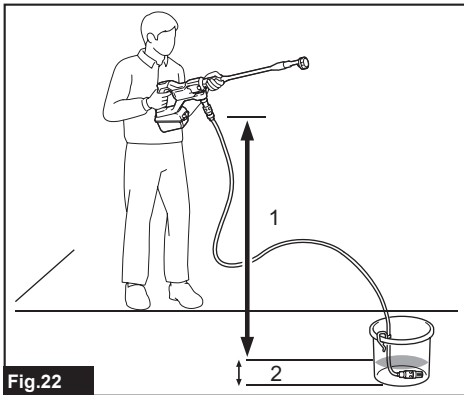


Fig.22

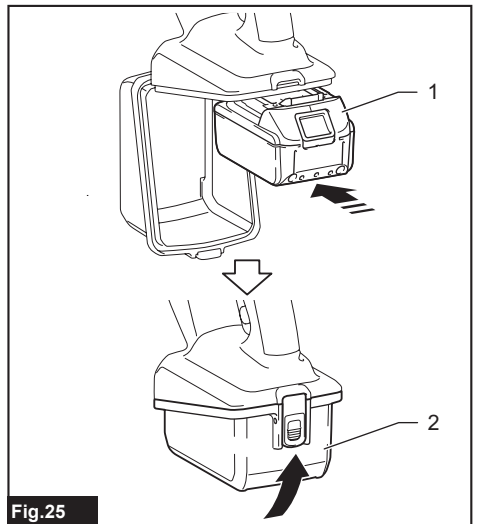


Fig.25

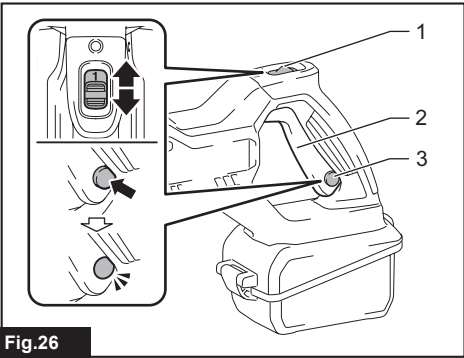


Fig.26

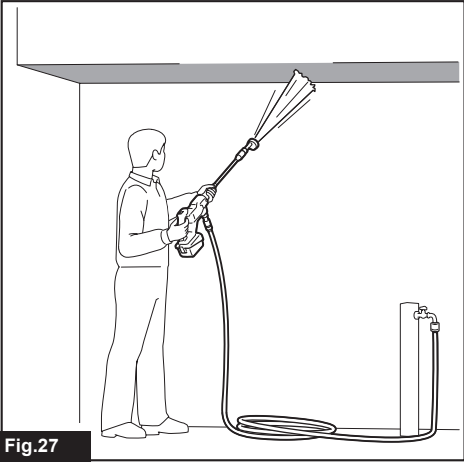


Fig.27

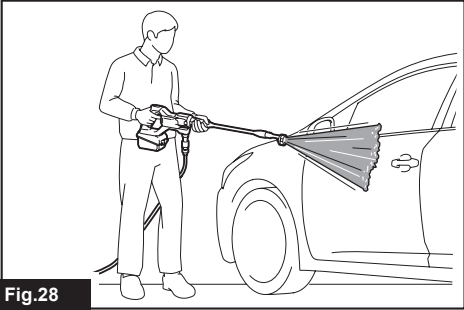


Fig.28

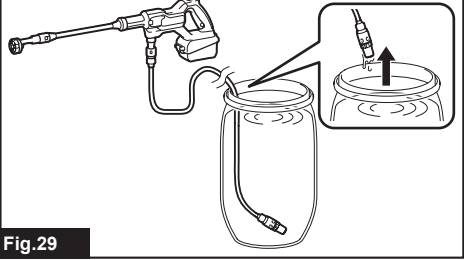
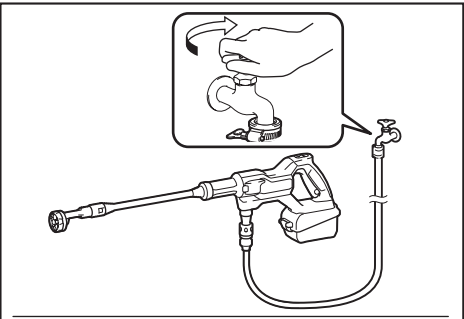


Fig.29

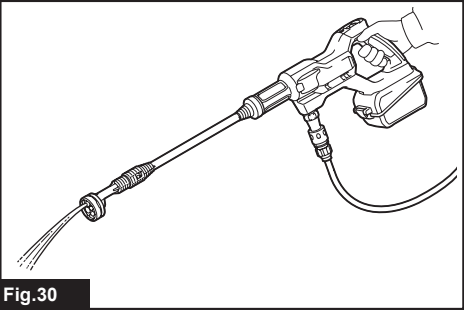


Fig.30

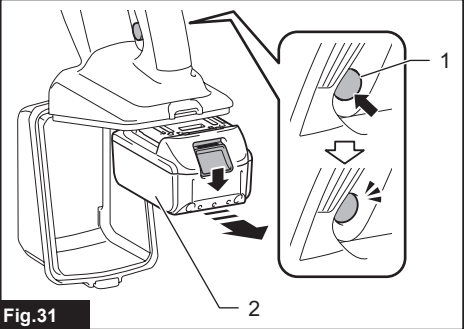
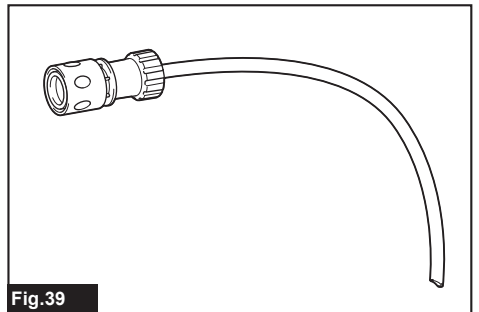
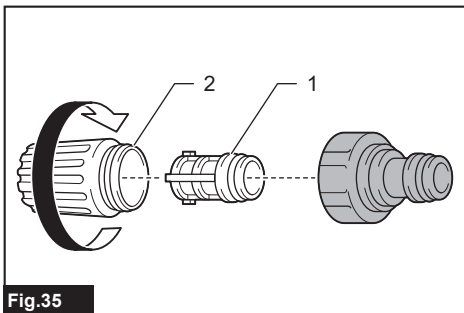
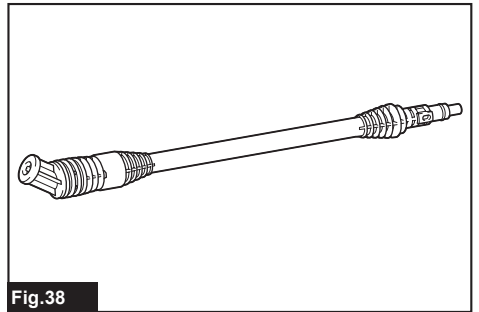
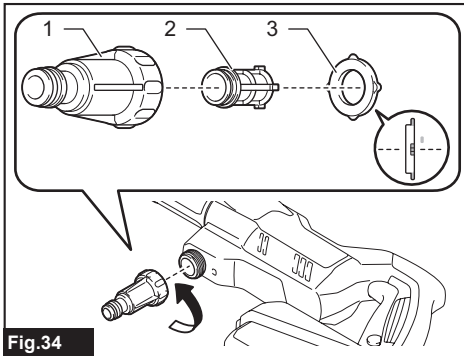
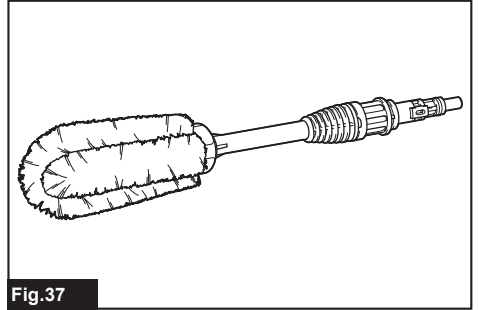
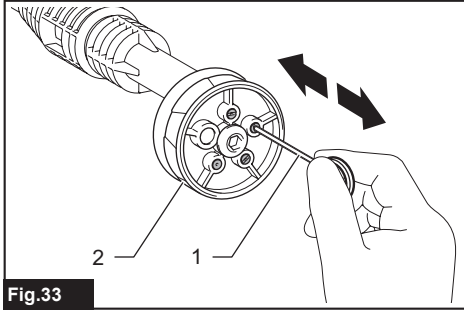
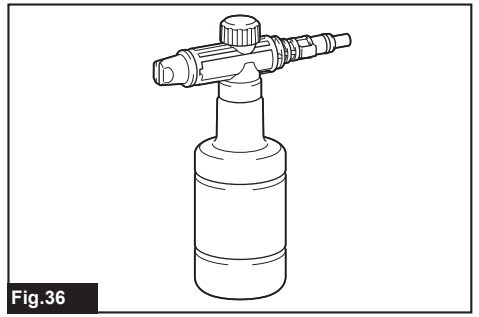
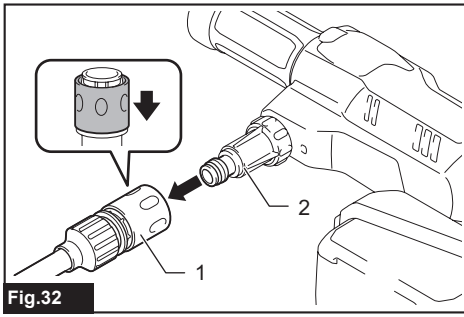


Fig.31



## WARNING

- Appliance shall not be used by children. Children should be supervised to ensure that they do not play with the appliance.
- This appliance is not intended for use by persons (including children) with reduced physical, sensory or mental capabilities, or lack of experience and knowledge, unless they have been given supervision or instruction concerning use of the appliance by a person responsible for their safety.
- Pressure water must not be directed at persons, live electrical equipment or the appliance itself.
- Always be sure that the appliance is switched off and battery cartridge is removed before carrying out any work on the tool.
- Do not use the appliance if important parts of the appliance are damaged, e.g. safety devices, pressure hoses.
- Read instructions in the maintenance section for the appropriate details of precautions during user maintenance.
- Learn the normal temperature range for charging battery. Read safety instructions for battery cartridge to learn precautions of handling batteries.
- Read instructions in the assembly section for the appropriate details of precautions during installation of the appliance.
- Learn the maximum inlet water pressure. Read information in the specifications section for the appropriate details on connection to water mains.
- Always use the hose-sets supplied with the appliance. Read instructions in the assembly section to learn precautions for connection to water mains.
- The water filling aperture should not be opened during use. Follow the instructions in the assembly section to maintain water pressure.
- Do not use in swimming pools containing water.
- Comply with the requirements of the local water supply company.



- For European countries:  
According to EN12729 (BA), the appliance can also be connected to the mains drinking water supply if a backflow preventer valve with drain facility is installed in the supply hose.

## SPECIFICATIONS

Model:		DHW180
Max. flow rate <sup>*1</sup> [Tank water supply / Mains water supply]		3.0 / 5.3 L/min
Water flow rate <sup>*2</sup>	High mode	2.5 L/min
	Low mode	1.5 L/min
Max. working pressure		2.4 MPa
Working pressure <sup>*2</sup>	High mode [Tank water supply / Mains water supply]	2.0 / 2.2 MPa
	Low mode [Tank water supply / Mains water supply]	0.8 / 0.8 MPa
Max. feed pressure		0.5 MPa
Max. feed temperature		40°C
Max. suction height		2.0 m
Rated voltage		D.C. 18 V
Dimensions <sup>*3</sup> [L x W x H]		888 mm x 99 mm x 239 mm
Weight		2.3 - 2.7kg

\*1 : Without nozzle

\*2 : Spray pattern 15°

\*3 : With 5in1 nozzle and extension

- Due to our continuing program of research and development, the specifications herein are subject to change without notice.
- Specifications may differ from country to country.
- The weight may differ depending on the attachment(s), including the battery cartridge. The lightest and heaviest combinations, according to EPTA-Procedure 01/2014, are shown in the table.

### Applicable battery cartridge and charger

Battery cartridge	BL1815N / BL1820B / BL1830B / BL1840B / BL1850B / BL1860B
Charger	DC18RC / DC18RD / DC18RE / DC18SD / DC18SE / DC18SF / DC18SH / DC18WC

- Some of the battery cartridges and chargers listed above may not be available depending on your region of residence.

**⚠ WARNING: Only use the battery cartridges and chargers listed above.** Use of any other battery cartridges and chargers may cause injury and/or fire.

**⚠ WARNING: Do not use a corded power supply such as battery adapter or portable power pack with this machine.** The cable of such power supply may hinder the operation and result in personal injury.

## Symbols

The followings show the symbols which may be used for the equipment. Be sure that you understand their meaning before use.



Read the instruction manual.



Take particular care and attention.



Ni-MH  
Li-Ion

Only for EU countries  
Due to the presence of hazardous components in the equipment, waste electrical and electronic equipment, accumulators and batteries may have a negative impact on the environment and human health. Do not dispose of electrical and electronic appliances or batteries with household waste!

In accordance with the European Directive on waste electrical and electronic equipment and on accumulators and batteries and waste accumulators and batteries, as well as their adaptation to national law, waste electrical equipment, batteries and accumulators should be stored separately and delivered to a separate collection point for municipal waste, operating in accordance with the regulations on environmental protection.

This is indicated by the symbol of the crossed-out wheeled bin placed on the equipment.



Do not connect to a potable water faucet.



Do not direct the jet at people including yourself, animals, and live electrical equipment.

## Intended use

This tool is intended to clean dirt by using water jet for household use. By offering selectable spray type, the tool functions to improve your washing as well as lawn and garden watering.

## SAFETY WARNINGS

### IMPORTANT SAFETY WARNINGS

**⚠ WARNING:** Read all safety warnings and all instructions. Failure to follow the warnings and instructions may result in electric shock, fire and/or serious injury.

### Save all warnings and instructions for future reference.

**WARNING** – When using this product, basic precautions should always be followed, including the following:

#### Work area safety

1. Keep operating area clear of all persons.

2. Do not overreach or stand on unstable supports. Keep good footing and balance at all times.
3. Always place the pressure washer body on a level and stable surface. Avoid areas where the ejected water will run or pool.
4. Before cleaning, check the surroundings and objects to be cleaned. Pressure jets can scrape away paint or other surface treatments including toxic chemicals. Take the preventive measures if necessary.
5. Be careful not to trip over by the hose of the pressure washer. Always be aware of the configuration of the hose during operation.
6. During use, a small amount of water will come out from the bottom of the pressure washer. Be careful not to operate the tool above the areas where you do not want them to be wet.

#### Personal safety

1. To protect against the jet and objects by the jet, operators should wear appropriate clothing such as safety boots, safety gloves, safety helmets with visors, hearing protection, etc.
2. Wear personal protective equipment. Depending on application, use face shield, safety goggles or safety glasses as eye protection is capable of stopping flying debris generated by various operations.
3. Do not use the pressure washer within range of persons unless they wear protective clothing.
4. To reduce the risk of injury, close supervision is necessary when the product is used near children.
5. If connection is made to a potable water system, the system shall be protected against backflow.
6. Water that has flowed through backflow preventer is considered to be non-potable.

#### Electrical safety

1. Never touch battery cartridges with wet hands.
2. Do not use the appliance if the important parts of the appliance are damaged, e.g. safety devices, pressure hoses.
3. Avoid dangerous environment. Don't use the tool in damp or wet locations or expose it to rain. Water entering the tool will increase the risk of electric shock.

#### Power tool use and care

1. Read all the instructions before using the product.
2. Know how to stop the pressure washer and bleed pressures quickly. Be thoroughly familiar with the controls.
3. Do not spray flammable and/or toxic liquids. This may cause an explosion, intoxication, or damage to the appliance.
4. Do not direct the jet against yourself or others in order to clean clothes or footwear.
5. Pressure hoses, fittings and couplings are important for the safety of the appliance. Use only hoses, fittings and couplings recommended by the manufacturer.

6. Follow the instructions when changing accessories.
  7. Keep handles dry, clean, and free of oil or grease.
  8. Stay alert – watch what you are doing.
  9. Do not operate the product when fatigued or under the influence of alcohol or drugs.
  10. Do not run the pressure washer without water for longer than one minute. It will damage the motor, resulting in malfunction.
  11. Always turn off the power and shut off the water mains when leaving the pressure washer unattended.
  12. Be wary of the kickback. The appliance recoils when the pressure jet is ejected from the nozzle. Hold the appliance firmly to prevent accidental injuries.
  13. Check for damaged or worn parts before use. Also make sure that the hose is properly connected and there is no leakage during operation. Operating the appliance with functional defects may cause an accident.
  14. Do not pull the hose to move the pressure washer body. This will damage the hose and connecting parts and result in a short circuit or functional defects.
  15. Do not put heavy objects on the hose or let vehicles drive over it.
  16. Always discharge the residual pressure in the appliance before disconnecting the hose.
  17. When connecting the hose to the water mains, observe the instructions of your local waterworks department or company.
  18. If the pressure washer is dropped or hits against a hard object, be sure to check for damage and crack. Using the pressure washer damaged may generate smoke, fire, or cause electric shock, which result in personal injury.
  19. Prevent unintentional starting. Ensure the switch is in the off-position before connecting to battery pack, picking up or carrying the appliance. Carrying the appliance with your finger on the switch or energizing appliance that have the switch on invites accidents.
  20. Disconnect the battery pack from the appliance before making any adjustments, changing accessories, or storing appliance. Such preventive safety measures reduce the risk of starting the appliance accidentally.
  21. Do not modify or attempt to repair the appliance or the battery pack except as indicated in the instructions for use and care.
  22. **WARNING – Risk of Injection or Injury– Do Not Direct Discharge Stream At Persons.**
  23. Be sure that an object or area to be cleaned is durable against watering. Otherwise may cause damage to the item or site resulting in personal injury.
3. When battery pack is not in use, keep it away from other metal objects, like paper clips, coins, keys, nails, screws or other small metal objects, that can make a connection from one terminal to another. Shorting the battery terminals together may cause burns or a fire.
  4. Under abusive conditions, liquid may be ejected from the battery; avoid contact. If contact accidentally occurs, flush with water. If liquid contacts eyes, additionally seek medical help. Liquid ejected from the battery may cause irritation or burns.
  5. Do not use a battery pack or tool that is damaged or modified. Damaged or modified batteries may exhibit unpredictable behaviour resulting in fire, explosion or risk of injury.
  6. Do not expose a battery pack or tool to fire or excessive temperature. Exposure to fire or temperature above 130 °C may cause explosion.
  7. Follow all charging instructions and do not charge the battery pack or tool outside the temperature range specified in the instructions. Charging improperly or at temperatures outside the specified range may damage the battery and increase the risk of fire.

#### Service

1. Follow the maintenance instructions specified in the manual.
2. To ensure appliance safety, use only original spare parts from the manufacturer or approved by the manufacturer.
3. Have your pressure washer serviced by a qualified repair person using only identical replacement parts. This will ensure that the safety of the pressure washer is maintained.
4. In case of breakdown or malfunction of the pressure washer, immediately switch it off and remove the battery cartridge(s). Contact your local dealer or service center.

#### Additional safety warnings

1. Do not use the tool when there is a risk of lightning.
2. When you use the tool on muddy ground, wet slope, or slippery place, pay attention to your footing.
3. Avoid working in poor environment where increased user fatigue is expected.
4. Do not replace the battery in the rain.
5. Do not submerge the tool into a puddle.
6. When storing the tool, avoid direct sunlight and rain, and store it in a place where it does not get hot or humid.
7. After using the tool, remove the adhered dirt and dry the tool completely before storing. Depending on the season or the area, there is a risk of malfunction due to freezing.
8. Do not wet the terminal of battery with liquid such as water, or submerge the battery. Do not leave the battery in the rain, nor charge, use, or store the battery in a damp or wet place. If the terminal gets wet or liquid enters inside of battery, the battery may be short circuited and there is a risk of overheat, fire, or explosion.
9. After removing the battery from the tool or charger, be sure to attach the battery cover to the battery and store it in a dry place.

#### Battery tool use and care

1. Recharge only with the charger specified by the manufacturer. A charger that is suitable for one type of battery pack may create a risk of fire when used with another battery pack.
2. Use power tools only with specifically designed battery packs. Use of any other battery packs may create a risk of injury and fire.

10. Do not replace the battery with wet hands.
11. If the appliance is frozen due to cold weather, contact an authorized service center for repairs.
12. Do not use a corded power supply such as battery adapter or portable power pack with this appliance. The cable of such power supply may hinder the operation and result in personal injury.

## SAVE THESE INSTRUCTIONS.

**⚠WARNING:** DO NOT let comfort or familiarity with product (gained from repeated use) replace strict adherence to safety rules for the subject product.

MISUSE or failure to follow the safety rules stated in this instruction manual may cause serious personal injury.

### Important safety instructions for battery cartridge

1. Before using battery cartridge, read all instructions and cautionary markings on (1) battery charger, (2) battery, and (3) product using battery.
2. Do not disassemble or tamper with the battery cartridge. It may result in a fire, excessive heat, or explosion.
3. If operating time has become excessively shorter, stop operating immediately. It may result in a risk of overheating, possible burns and even an explosion.
4. If electrolyte gets into your eyes, rinse them out with clear water and seek medical attention right away. It may result in loss of your eyesight.
5. Do not short the battery cartridge:
  - (1) Do not touch the terminals with any conductive material.
  - (2) Avoid storing battery cartridge in a container with other metal objects such as nails, coins, etc.
  - (3) Do not expose battery cartridge to water or rain.

A battery short can cause a large current flow, overheating, possible burns and even a breakdown.

6. Do not store and use the tool and battery cartridge in locations where the temperature may reach or exceed 50 °C (122 °F).
7. Do not incinerate the battery cartridge even if it is severely damaged or is completely worn out. The battery cartridge can explode in a fire.
8. Do not nail, cut, crush, throw, drop the battery cartridge, or hit against a hard object to the battery cartridge. Such conduct may result in a fire, excessive heat, or explosion.
9. Do not use a damaged battery.
10. The contained lithium-ion batteries are subject to the Dangerous Goods Legislation requirements.

For commercial transports e.g. by third parties, forwarding agents, special requirement on packing and labeling must be observed.

For preparation of the item being shipped, consulting an expert for hazardous material is required. Please also observe possibly more detailed national regulations.

Tape or mask off open contacts and pack up the battery in such a manner that it cannot move around in the packaging.

11. When disposing the battery cartridge, remove it from the tool and dispose of it in a safe place. Follow your local regulations relating to disposal of battery.
12. Use the batteries only with the products specified by Makita. Installing the batteries to non-compliant products may result in a fire, excessive heat, explosion, or leak of electrolyte.
13. If the tool is not used for a long period of time, the battery must be removed from the tool.
14. During and after use, the battery cartridge may take on heat which can cause burns or low temperature burns. Pay attention to the handling of hot battery cartridges.
15. Do not touch the terminal of the tool immediately after use as it may get hot enough to cause burns.
16. Do not allow chips, dust, or soil stuck into the terminals, holes, and grooves of the battery cartridge. It may cause heating, catching fire, burst and malfunction of the tool or battery cartridge, resulting in burns or personal injury.
17. Unless the tool supports the use near high-voltage electrical power lines, do not use the battery cartridge near high-voltage electrical power lines. It may result in a malfunction or breakdown of the tool or battery cartridge.
18. Keep the battery away from children.

## SAVE THESE INSTRUCTIONS.

**⚠CAUTION:** Only use genuine Makita batteries. Use of non-genuine Makita batteries, or batteries that have been altered, may result in the battery bursting causing fires, personal injury and damage. It will also void the Makita warranty for the Makita tool and charger.

### Tips for maintaining maximum battery life

1. Charge the battery cartridge before completely discharged. Always stop tool operation and charge the battery cartridge when you notice less tool power.
2. Never recharge a fully charged battery cartridge. Overcharging shortens the battery service life.
3. Charge the battery cartridge with room temperature at 10 °C - 40 °C (50 °F - 104 °F). Let a hot battery cartridge cool down before charging it.
4. When not using the battery cartridge, remove it from the tool or the charger.
5. Charge the battery cartridge if you do not use it for a long period (more than six months).

## FUNCTIONAL DESCRIPTION

**CAUTION:** Always be sure that the tool is switched off and the battery cartridge is removed before adjusting or checking function on the tool.

### Installing or removing battery cartridge

**CAUTION:** Always switch off the tool before installing or removing of the battery cartridge.

**CAUTION:** Hold the tool and the battery cartridge firmly when installing or removing battery cartridge. Failure to hold the tool and the battery cartridge firmly may cause them to slip off your hands and result in damage to the tool and battery cartridge and a personal injury.

**CAUTION:** Be careful not to pinch your fingers when opening or closing the battery cover.

Open the cover while pushing the lock lever.

► **Fig.1:** 1. Cover 2. Lock lever

Align the tongue on the battery cartridge with the groove in the housing and slip it into place. Insert it all the way until it locks in place with a little click. If you can see the red indicator as shown in the figure, it is not locked completely.

► **Fig.2:** 1. Red indicator 2. Button 3. Battery cartridge

After installing or removing the battery cartridges, be sure to close the cover.

To remove the battery cartridge, open the cover, slide the battery cartridge off the tool while pushing down the button on front, then close the cover.

**CAUTION:** Always install the battery cartridge fully until the red indicator cannot be seen. If not, it may accidentally fall out of the tool, causing injury to you or someone around you.

**CAUTION:** Do not install the battery cartridge forcibly. If the cartridge does not slide in easily, it is not being inserted correctly.

**CAUTION:** Be sure to lock the cover before operating.

### Tool / battery protection system

The tool is equipped with a tool/battery protection system. This system automatically cuts off power to the motor to extend tool and battery life. The tool will automatically stop with indication if the tool or battery is placed under one of the following conditions:

► **Fig.3:** 1. Indicator

### Overload protection

When the tool or battery is operated in a manner that causes it to draw an abnormally high current, the tool automatically stops and the red indicator lights up. In this situation, turn the tool off and stop the application that caused the tool to become overloaded. Then turn the tool on to restart.

### Overheat protection

When the tool or battery is overheated, the tool stops automatically and the red indicator lights up. In this situation, let the tool cool down before turning the tool on again.

### Overdischarge protection

When the battery capacity becomes low, the red indicator blinks. When the battery becomes close to empty, the tool stops automatically and the red indicator lights up. In this case, remove the battery from the tool and charge the battery.

### Protections against other causes

Protection system is also designed for other causes that could damage the tool and allows the tool to stop automatically. Take all the following steps to clear the causes, when the tool has been brought to a temporary halt or stop in operation.

1. Turn the tool off, and then turn it on again to restart.
2. Charge the battery(ies) or replace it/them with recharged battery(ies).
3. Let the tool and battery(ies) cool down.

If no improvement can be found by restoring protection system, then contact your local Makita Service Center.


















**NOTICE:** If the tool stops due to a cause not described above, refer to the section for troubleshooting.

### Indicating the remaining battery capacity

*Only for battery cartridges with the indicator*

Press the check button on the battery cartridge to indicate the remaining battery capacity. The indicator lamps light up for a few seconds.

► **Fig.4:** 1. Indicator lamps 2. Check button

Indicator lamps			Remaining capacity
 Lighted	 Off	 Blinking	
			75% to 100%
			50% to 75%
			25% to 50%
			0% to 25%
			Charge the battery.
 	 ↑ ↓ 		The battery may have malfunctioned.

**NOTE:** Depending on the conditions of use and the ambient temperature, the indication may differ slightly from the actual capacity.

**NOTE:** The first (far left) indicator lamp will blink when the battery protection system works.

## Pressure mode switch

Select your desired pressure mode by sliding the switch lever forwards and backwards.

Pull the lever backwards for low pressure mode so a number symbol "1" reads on the switch.

Push the lever forwards for high pressure mode so a number symbol "2" reads on the switch.

► **Fig.5:** 1. Low pressure mode (1) 2. High pressure mode (2) 3. Pressure mode switch lever

## Switch trigger

The pressure washer employs a safety lock on the trigger. To release the trigger lock, depress the lock button into the trigger so the trigger surface becomes flat.

Pull the switch trigger to eject a water jet. The jet continues as long as the trigger is squeezed.

► **Fig.6:** 1. Switch trigger 2. Lock button

Push the lock button back out from inside the trigger to engage the trigger lock.

Be sure to lock the trigger when the pressure washer is not in use.

► **Fig.7:** 1. Switch trigger 2. Lock button

## Nozzle functions

Multi-pattern (5-in-1) spray nozzle features a range of spray patterns that you can adjust depending on your washing needs. By combining five of the most-used spray patterns in one nozzle, no more switching from one to the next, simply dial in the right spray pattern for your task.

**Simple changeover of nozzles, 0°, 15°, 25°, 40° and shower**

► **Fig.8**

► **Fig.9:** 1. Spray pattern symbol 2. Triangle mark

Turn the nozzle head left or right to your desired spray pattern position. Correctly align the spray pattern symbol you want to select with the triangle mark so that the nozzle head locks with a click.

► **Fig.10**

**NOTICE:** Be careful not to set the nozzle head in an unclicked position. The tool may otherwise create irregular spray patterns resulting in water leaks.

**CAUTION:** Try not to rotate the nozzle body together as you change spray patterns. The nozzle may come off from the tool body and cause personal injury.

## Safety valve

This tool is equipped with a safety valve that prevents undue overpressure.

**CAUTION:** Do not tamper with or adjust the safety valve setting.

## ASSEMBLY

**CAUTION:** Always be sure that the tool is switched off and the battery cartridge is removed before carrying out any work on the tool.

## Installing nozzle and lance extension

**CAUTION:** Always lock the switch trigger while attaching/detaching a nozzle and extension.

### Nozzle

Align the guide projections on the nozzle end with the locking slots in the tool housing. Push the nozzle all the way in until the two triangle marks on the nozzle and housing face to each other. Then turn the nozzle in the direction shown in the figure to engage the lock. Having installed the nozzle, try pulling it back to ensure it is securely held in place.

► **Fig.11:** 1. Nozzle 2. Guide projection 3. Locking slot 4. Triangle marks 5. Pelvic-fin-like outline

**NOTE:** Make sure to turn a pelvic-fin-like outline facing downwards.

To detach the nozzle, push and hold the nozzle towards the tool housing, and then turn it counter-wise until the two triangle marks face to each other. Pull the nozzle apart from the tool housing after it becomes unlocked.

### Lance extension

Watering any hard-to-reach spots. Install the lance extension in between the tool housing and nozzle by following the same steps as described for nozzle installation.

► **Fig.12:** 1. Lance extension 2. Tool housing 3. Nozzle 4. Guide projections 5. Locking slots 6. Triangle marks

To detach the attachments, push and hold the tip attachment towards the mount attachment/housing, and then turn it counter-wise until the two triangle marks face to each other. Pull the tip attachment apart from the mount attachment/housing after it becomes unlocked.

## Connecting to tank water supply

**NOTICE:** Always use the pressure hose and strainer supplied with this tool to supply water.

**NOTICE:** Always keep 2.0 m or less in height between the inlet of the pressure washer and the water surface. Otherwise, the pressure washer will be unable to take the water up into the pump.

**NOTICE:** Be sure to fill a water container more than 25 mm thick from the bottom and to submerge the strainer in water completely.

Water can be supplied from a tank/container/reservoir of any size.

A tank supplied watering addresses such pressure washing situations, e.g., car washing and gardening etc., where water is not available and has to be transported to the washing area or site.

1. Attach the strainer to one end of the pressure hose.

Insert the strainer outlet into the coupling sleeve and push it through until the strainer is secured in place.

► **Fig.13:** 1. Strainer 2. Coupling sleeve 3. Pressure hose

2. Leave the strainer on the bottom of the water container.

► **Fig.14:** 1. Strainer 2. Pressure hose 3. Hose hook

**NOTE:** Hang the hose along the opening using a supplied hose hook so that the strainer sits still at the bottom of the container.

3. Attach the other end of the hose to the water hose connector on the pressure washer.

Place the coupling sleeve over the inlet of the connector and push it through until the coupling sleeve is secured in place.

► **Fig.15:** 1. Coupling sleeve 2. Water hose connector

**CAUTION:** Make sure that the pressure hose is securely connected. A loose connection may blow the pressure hose off, resulting in a personal injury.

**NOTICE:** Introduce water into the pressure washer and hose beforehand whenever you are to lift water from a certain depth in the high pressure mode.

## Connecting to mains water supply

**CAUTION:** Always use the pressure hose supplied with this tool to supply water.

**NOTICE:** If you connect to the mains for drinking water, use a backflow preventer valve which meets the regulations in your region.

**NOTICE:** Maintain a feed pressure of the inlet water less than 0.5 MPa for fine feed. Do not exceed the maximum feed pressure as it may cause water leaks when the tool stops working.

Water can be supplied from mains water that is available at the washing area or site.

A continuous water supply allows you not to mind refilling water and enables your efficient home cleaning and gardening, such as spot cleaning, rinsing, and watering on the vast area of lawn or vegetation.

1. Connect the pressure hose to the faucet.

Apply a suitable fitting such as water tap joint to secure the hose end with the faucet.

► **Fig.16:** 1. Water tap joint 2. Coupling sleeve 3. Pressure hose

**NOTE:** The type of fitting depends on the shape of the faucet to which you connect. Prepare a suitable commercially purchased fitting.

2. Attach the other end of the hose to the water hose connector on the pressure washer.

Place the coupling sleeve over the inlet of the connector and push it through until the coupling sleeve is secured in place.

► **Fig.17:** 1. Coupling sleeve 2. Water hose connector

## Installing foam nozzle

### Optional accessory

**CAUTION:** Always lock the switch trigger while attaching/detaching optional attachments.

**NOTICE:** Use only neutral detergents. Do not use household detergents, acid detergents, alkaline detergents, bleaches, solvents, flammable material, or industrial grade solutions, which may damage the tool or your property. Prepare cleaning solution as instructed on the solution bottle, and always test it in an inconspicuous place in advance.

**NOTICE:** If a highly viscous detergent is used, the nozzle is likely to clog. When using the high viscosity detergent, dilute the detergent by adding water to the bottle before use.

**NOTE:** When using the foam nozzle, the detergent in the bottle is diluted with the water supplied by the tool and sprayed. You do not have to dilute the concentration of detergent in the bottle more than necessary. Adjust the concentration of detergent while checking the usage conditions.

**NOTE:** If the foam nozzle is tipped on its side, the detergent may spill.

Prepare detergent before using the foam nozzle.

1. Fill the tank with detergent. Attach the nozzle onto the tank and securely tighten the lid.

2. Tilt the foam nozzle to align its guide projections with the locking slots in the tool housing. Push the nozzle all the way in and hold it in place. Then turn the foam nozzle in the direction shown in the figure to engage the lock.

► **Fig.18:** 1. Foam nozzle 2. Tank 3. Guide projection 4. Locking slot

Having installed the nozzle, try pulling it back to ensure it is securely held in place.

3. Turn the detergent dial to adjust the suction volume of the detergent solution.

► **Fig.19:** 1. Detergent dial 2. Dial to minimum 3. Dial to maximum

## Installing optional nozzles

### Optional accessory

**CAUTION:** Always lock the switch trigger while attaching/detaching optional attachments.

Align the guide projections on an optional nozzle with the locking slots in the tool housing. Push the nozzle all the way in and hold it in place. Then turn the nozzle in the direction shown in the figure to engage the lock. Having installed the nozzle, try pulling it back to ensure it is securely held in place.

► **Fig.20:** 1. Nozzles 2. Guide projection 3. Locking slot

To detach the nozzle, push and hold the nozzle towards the tool housing, and then turn it counter-wise to release the lock. Pull the nozzle apart from the pressure washer after it becomes unlocked.

## Installing plastic bottle adapter

### Optional accessory

**CAUTION:** Always lock the switch trigger while attaching/detaching optional attachments.

**CAUTION:** Be sure to attach the plastic bottle adapter securely to the pressure washer and plastic bottle. Failure to do so may cause the bottle to fall resulting in personal injury.

**NOTE:** A use of 2-liter (half-gallon) plastic bottle can be favored for containing water.

1. Fill water in a plastic bottle.
2. Throw the suction pipe down through the bottle opening.
3. Attach the adapter to the bottle by threading the nut of the coupling sleeve.
4. Attach the plastic bottle adapter to the water hose connector on the pressure washer.

Place the coupling sleeve over the inlet of the connector and push it through until the coupling sleeve is secured in place.

► **Fig.21:** 1. Plastic bottle adapter 2. Suction pipe  
3. Plastic bottle 4. Water hose connector

## OPERATION

**WARNING:** Do not touch the water jet or direct it toward yourself or others. The water jet is dangerous and can hurt you or others.

**WARNING:** When shooting the water jet, never hold the object that you are cleaning or place your hands and feet near the water jet.

**CAUTION:** Do not run the pressure washer without water for longer than 1 minute(s).

**CAUTION:** Do not operate the pressure washer for an extended period of time. This may cause overheating or fire. Also, long-term use may cause vibration disorder.

**CAUTION:** Be aware of the direction of the wind. If the detergent gets into your eyes or mouth, rinse with fresh water immediately and seek medical attention if necessary.

**NOTICE:** To protect the mechanism of the pressure washer, do not use water hotter than 40°C (104°F).

**NOTICE:** Do not use an untreated water supply, such as river water, pond water, and sandy or muddy water. Unfiltered dirty water may cause deposition of undesired material in the pump resulting in malfunction.

### Water lifting height

A vertical height from the water source to water suction inlet of the pressure washer requires to be within 2.0 m.

### Pooled water depth

Fill a water container more than 25 mm thick from the bottom.

► **Fig.22:** 1. Water lifting height 2. Pooled water depth

### Steps in basic operation

1. Connect the water hose inlet to the water supply.
  2. Connect the water hose outlet to the pressure washer.
- **Fig.23**

3. If the remaining water in the pressure washer has been discharged since it was last used, introduce water into the pressure hose and pressure washer.

Let water run through the hose and washer until any air in them is released.

- (1) Remove the nozzle from the pressure washer.
- (2) Install the battery cartridge into the pressure washer.
- (3) Select the high pressure mode.
- (4) Unlock the switch trigger.
- (5) Pull and hold the switch trigger until the pressure washer generates a stable water jet.

► **Fig.24:** 1. Pressure mode switch lever

After allowing air locks out of the pressure washer and hose, release the switch trigger.

Remove the battery cartridge from the pressure washer, and attach the nozzle suitable for your purpose.

4. Open the cover and install the battery cartridge into the pressure washer and then lock the cover.

► **Fig.25:** 1. Battery cartridge 2. Cover

**CAUTION:** Be careful not to pinch your fingers when opening or closing the battery cover.

5. Select your desired pressure mode. Then unlock the switch trigger.

► **Fig.26:** 1. Pressure mode switch lever 2. Switch trigger 3. Lock button



- Point the nozzle head at watering area or site. Squeeze the switch trigger.

The water jet continues as long as the trigger is squeezed.

► Fig.27

► Fig.28

**CAUTION:** Hold the pressure washer firmly. The tool recoils when you pull the switch trigger.

**CAUTION:** Always hold the pressure washer by the grip and barrel when ejecting water jet.

## After use

**CAUTION:** After operating the pressure washer, always perform the procedure described in this manual. Residual pressure in the pressure washer can cause personal injury or damage to the pump inside.

- Release the switch trigger and lock it using the lock button.
- Disconnect the water hose from the water supply. ► Fig.29
- Unlock the switch trigger and squeeze it until the remaining water in the pressure washer and hose is discharged. ► Fig.30

**NOTICE:** Do not run the motor for longer than 1 minute(s).

- Release the switch trigger and lock it using the lock button. Then remove the battery from the pressure washer. ► Fig.31: 1. Lock button 2. Battery cartridge
- Disconnect the pressure hose from the pressure washer. ► Fig.32: 1. Coupling sleeve 2. Water hose connector

**NOTICE:** To prevent the pressure hose from being damaged, remove the remaining water in the hose before storing.

## MAINTENANCE

**CAUTION:** Always be sure that the tool is switched off and battery cartridge is removed before attempting to perform inspection or maintenance.

**NOTICE:** Never use gasoline, benzine, thinner, alcohol or the like. Discoloration, deformation or cracks may result.

To maintain product SAFETY and RELIABILITY, repairs, any other maintenance or adjustment should be performed by Makita Authorized or Factory Service Centers, always using Makita replacement parts.

## Cleaning nozzles

Use the cleaner pin, a tiny file type finger, to remove clogged dirt from the nozzle openings.

► Fig.33: 1. Cleaner pin 2. Nozzle

**NOTE:** To maintain the optimal performance, clean the nozzle periodically.

**NOTICE:** Do not remove dirt or debris forcibly. This may result in personal injury or damage to the ejection hole causing deviated jet angles or poor performance.

## Cleaning filters

Detach the water hose connector from the pressure washer. Remove dust or dirt adhered to the filter.

► Fig.34: 1. Water hose connector 2. Filter 3. Sealing ring

Disassemble the strainer by unthreading the filter case. Remove dust or dirt adhered to the filter.

► Fig.35: 1. Filter 2. Filter case

**NOTE:** To maintain the optimal performance, clean the filter periodically.

## TROUBLESHOOTING

Before asking for repairs, conduct your own inspection first. If you find a problem that is not explained in the manual, do not attempt to dismantle the tool. Instead, ask Makita Authorized Service Centers, always using Makita replacement parts for repairs.

State of abnormality	Probable cause (malfunction)	Remedy
The washer does not start.	No electricity	Install charged battery cartridge.
	The switch trigger is locked.	Unlock the switch trigger.
	Damaged battery or electric circuit	Contact an authorized service center for repairs.

State of abnormality	Probable cause (malfunction)	Remedy
No water jet / weak water jet	No water supply	Make sure that the faucet is open. If connecting to tank water supply, introduce water into the pressure washer and hose.
	Poor water supply	Turn on the faucet.
	Poor water hose connection	Check the connection between the pressure washer and water supply.
	Deformed or worn water hose	Straighten the hose. Replace the damaged water hose with new one.
	Clogged hose or nozzle	Unclog the hose or nozzle.
	Clogged filters	Remove dust or dirt adhered to the filters in the strainer and the water hose connector.
	Waste/contaminated water	Clean the water system and refill with clean water.
	Damaged or worn nozzle	Replace the nozzle.
	Pump or valve malfunction	Contact an authorized service center for repairs.
	Loose water joint	Secure the connection between water hose and coupling sleeves.
	Leaks from water supply connection	Re-tighten the connection between the water hose and water supply.
	Insufficiently installed strainer	Submerge the strainer into the water completely.
Low pressure mode in use	Select the high pressure mode.	
Unstable water jet	Clogged nozzle	Unclog on the ejection hole of the nozzle using the cleaner pin.
	Poor water suction	Check the water hose for any leakage or clogs.
	The water is too hot.	Supply cooler water.
	Valve malfunction	Contact an authorized service center for repairs.
Abnormal sound	The water is too hot.	Supply cooler water.
Water leakage	Poor connection	Check the connection between the pressure washer and water supply.
	Poor nozzle installation	Push the nozzle all the way in. Then turn the nozzle until it is locked securely.
	Nozzle head stays in an incorrect position	Set the nozzle head in a clicked position with a spray pattern symbol clearly visible.
	Worn out sealings	Contact an authorized service center for repairs.

## OPTIONAL ACCESSORIES

**⚠ CAUTION:** These accessories or attachments are recommended for use with your Makita tool specified in this manual. The use of any other accessories or attachments might present a risk of injury to persons. Only use accessory or attachment for its stated purpose.

If you need any assistance for more details regarding these accessories, ask your local Makita Service Center.

**NOTE:** Some items in the list may be included in the tool package as standard accessories. They may differ from country to country.

### Foam nozzle

► Fig.36

Detergent can be sprayed as foam.

### Washing brush

► Fig.37

A nozzle equipped with a brush. Useful for washing out dirt while scrubbing with brush.

### Angle nozzle

► Fig.38

An angled nozzle head can rotate 360 degrees, allowing for maneuverability and coverage without any dead angles.

### Plastic bottle adapter

► Fig.39

Pump bottled water and easily extract it from a plastic bottle. A water bottle can serve as a water source.

## ADVERTENCIA

- Los menores no deben utilizar el aparato. Hay que asegurarse de que los niños no jueguen con el aparato.
- Este aparato no está diseñado para ser utilizado por personas (incluidos niños) con capacidades físicas, sensoriales o mentales reducidas o con falta de experiencia y conocimientos, a no ser que una persona responsable de su seguridad les supervise o les enseñe el uso del aparato.
- El agua a presión no debe dirigirse hacia personas, equipos eléctricos bajo tensión o el propio aparato.
- Asegúrese siempre de que el aparato esté apagado y el cartucho de batería extraído antes de realizar cualquier trabajo en la herramienta.
- No utilice el aparato si partes importantes del mismo están dañadas, por ejemplo, dispositivos de seguridad, mangueras de presión.
- Lea las instrucciones en la sección de mantenimiento para conocer los detalles apropiados de las precauciones durante el mantenimiento por parte del usuario.
- Conozca el rango de temperatura normal para cargar la batería. Lea las instrucciones de seguridad del cartucho de batería para conocer las precauciones al manipular las baterías.
- Lea las instrucciones en la sección de montaje para conocer los detalles apropiados de las precauciones durante la instalación del aparato.
- Conozca la presión máxima de entrada de agua. Lea la información en la sección de especificaciones para conocer los detalles apropiados sobre la conexión a la red de agua.
- Utilice siempre los juegos de mangueras suministrados con el aparato. Lea las instrucciones en la sección de montaje para conocer las precauciones para la conexión a la red de agua.
- La abertura de llenado de agua no debe abrirse durante el uso. Siga las instrucciones en la sección de montaje para mantener la presión del agua.
- No utilizar en piscinas que contengan agua.

- Cumpla con los requisitos de la compañía de suministro de agua de su localidad.
- Para países europeos: de acuerdo con EN12729 (BA), el aparato también se puede conectar a la red de suministro de agua potable si se instala una válvula de prevención de reflujo con dispositivo de drenaje en la manguera de suministro.

## ESPECIFICACIONES

<b>Modelo:</b>		<b>DHW180</b>
Caudal máximo <sup>*1</sup> [Suministro de agua del tanque / Suministro de agua de red]		3,0 l/min / 5,3 l/min
Caudal de agua <sup>*2</sup>	Modo alto	2,5 l/min
	Modo bajo	1,5 l/min
Presión de trabajo máxima		2,4 MPa
Presión de trabajo <sup>*2</sup>	Modo alto [Suministro de agua del tanque / Suministro de agua de red]	2,0 MPa / 2,2 MPa
	Modo bajo [Suministro de agua del tanque / Suministro de agua de red]	0,8 MPa / 0,8 MPa
Presión máx. de suministro		0,5 MPa
Temperatura máx. de suministro		40°C
Altura máx. de succión		2,0 m
Tensión nominal		18 V c.c.
Dimensiones <sup>*3</sup> [La x An x Al]		888 mm x 99 mm x 239 mm
Peso		2,3 kg - 2,7kg

\*1: Sin boquilla

\*2: Patrón de rociado 15°

\*3: Con boquilla 5 en 1 y extensión

- Debido a nuestro continuo programa de investigación y desarrollo, las especificaciones aquí incluidas están sujetas a cambio sin previo aviso.
- Las especificaciones pueden variar de país a país.
- El peso puede variar en función de los accesorios, incluido el cartucho de batería. En la tabla se muestra la combinación de peso más ligero y más pesado conforme al procedimiento 01/2014 de EPTA.

### Cartucho de batería y cargador aplicables

Cartucho de batería	BL1815N / BL1820B / BL1830B / BL1840B / BL1850B / BL1860B
Cargador	DC18RC / DC18RD / DC18RE / DC18SD / DC18SE / DC18SF / DC18SH / DC18WC

- Algunos de los cartuchos de batería y cargadores enumerados arriba podrían no estar disponibles dependiendo de su área de residencia.

**⚠ ADVERTENCIA:** Use únicamente los cartuchos de batería y los cargadores indicados arriba. El uso de cualquier otro cartucho de batería y cargador podría ocasionar una lesión y/o un incendio.

**⚠ ADVERTENCIA:** No use ningún alimentador con cableado eléctrico como un adaptador para batería o una unidad portátil de alimentación eléctrica con esta máquina. El cable de dicho alimentador podría impedir la operación y ocasionar una lesión personal.

## Símbolos

A continuación se muestran los símbolos que pueden ser utilizados para el equipo. Asegúrese de que entienda su significado antes de utilizar.



Lea el manual de instrucciones.



Ponga especial atención y tenga cuidado.



Ni-MH  
Li-Ion

Exclusivamente para países de la Unión Europea  
Debido a la presencia de componentes peligrosos en el equipo, los equipos eléctricos y electrónicos de desecho, acumuladores y baterías podrían tener un impacto negativo en el medio ambiente y en la salud humana.

¡No se deshaga de los aparatos eléctricos y electrónicos o baterías con la basura doméstica!

De acuerdo con la Directiva Europea de Residuos de Aparatos Eléctricos y Electrónicos y sobre acumuladores y baterías y sobre acumuladores y baterías de desecho, así como su adaptación a la legislación nacional, los aparatos eléctricos, las baterías y acumuladores de desecho deberán guardarse por separado y entregarse en un punto de recolección separado para residuos municipales, que opere de acuerdo con las normas sobre protección medioambiental.

Esto se indica mediante el símbolo del contenedor con ruedas tachado colocado en el equipo.



No conecte a una toma de agua potable.



Evite dirigir el chorro hacia personas, incluido usted, animales y equipos eléctricos con corriente.

## Uso pretendido

Esta herramienta está diseñada para limpiar la superficie mediante el uso de chorro de agua para uso doméstico. Al ofrecer un tipo de rociado seleccionable, la herramienta funciona para mejorar el lavado y el riego del césped y el jardín.

## ADVERTENCIAS DE SEGURIDAD

### ADVERTENCIAS DE SEGURIDAD IMPORTANTES

**ADVERTENCIA:** Lea todas las advertencias de seguridad e instrucciones. El no seguir las advertencias e instrucciones indicadas puede ocasionar una descarga eléctrica, un incendio y/o lesiones graves.

## Conserve todas las advertencias e instrucciones como referencia en el futuro.

**ADVERTENCIA** - Cuando se utilice este producto, siempre deben seguirse las precauciones básicas, incluyendo las siguientes:

### Seguridad en el área de trabajo

1. Mantenga el área de operación completamente despejada.
2. No utilice la máquina donde no alcance ni se pare sobre soportes inestables. Pise sobre suelo firme y mantenga el equilibrio en todo momento.
3. Coloque siempre el cuerpo de la hidrolavadora de presión sobre una superficie estable y nivelada. Evite las áreas donde el agua expulsada pueda correr o acumularse.
4. Antes de limpiar, revise los alrededores y los objetos que se van a limpiar. Los chorros a alta presión pueden remover la pintura u otros tratamientos de la superficie, incluidas sustancias químicas tóxicas. Tome las medidas preventivas necesarias.
5. Tenga cuidado de no tropezar con la manguera de la hidrolavadora de presión. Siempre esté consciente de la configuración de la manguera durante la operación.
6. Durante el uso, una pequeña cantidad de agua saldrá de la parte inferior de la hidrolavadora de presión. Tenga cuidado de no operar la herramienta sobre las áreas donde no desea que se mojen.

### Seguridad personal

1. Para protegerse del chorro y los objetos lanzados por el chorro, los operadores deberán usar una vestimenta apropiada tal como botas y guantes de seguridad, cascos protectores con viseras, protección auditiva, etc.
2. Use equipo de protección personal. Dependiendo de la aplicación, utilice careta, gafas de seguridad o anteojos de seguridad, ya que la protección ocular es capaz de detener los desechos voladores generados por diversas operaciones.
3. No utilice la hidrolavadora de presión dentro del rango donde haya otras personas, a menos que estas lleven ropa protectora.
4. Para reducir el riesgo de lesiones, se requiere supervisar de cerca cuando el producto sea utilizado cerca de niños.
5. Si se realiza la conexión a un sistema de agua potable, el sistema debe estar protegido contra el reflujo.
6. El agua que haya circulado a través del dispositivo antireflujo no se considera potable.

### Seguridad eléctrica

1. Nunca toque los cartuchos de batería con las manos mojadas.
2. No utilice el aparato si partes importantes del mismo están dañadas, por ejemplo, dispositivos de seguridad, mangueras de presión.

3. Evite los entornos peligrosos. No utilice la herramienta en lugares húmedos o mojados ni la esponja a la lluvia. El agua que ingrese a la herramienta incrementará el riesgo de descarga eléctrica.

#### Uso y cuidado de la herramienta eléctrica

1. Lea todas las instrucciones antes de usar el producto.
2. Usted deberá saber cómo detener la hidrolavadora de presión y purgar las presiones rápidamente. Familiarícese completamente con los controles.
3. Evite rociar líquidos inflamables o tóxicos. Esto podría ocasionar una explosión, intoxicación o daños al aparato.
4. No dirija el chorro hacia usted mismo u otras personas para limpiar ropa o calzado.
5. Las mangueras de presión así como las conexiones y uniones son importantes para la seguridad del aparato. Utilice únicamente las mangueras, conexiones y uniones recomendadas por el fabricante.
6. Siga las instrucciones para cambiar los accesorios.
7. Mantenga los mangos secos, limpios y libres de aceite o grasa.
8. Manténgase alerta - ponga atención a lo que está haciendo.
9. No opere el producto si está cansado o bajo la influencia de alcohol o medicamentos.
10. No ponga en marcha la hidrolavadora de presión sin que tenga agua durante más de un minuto. Esto dañará el motor, ocasionando una avería.
11. Siempre apague la hidrolavadora de presión, y corte el suministro de agua cuando la vaya a dejar desatendida.
12. Tenga cuidado con los retrocesos bruscos. El aparato retrocederá de golpe cuando el chorro a presión sea expulsado de la boquilla. Sostenga firmemente el aparato para evitar lesiones accidentales.
13. Revise que no haya piezas dañadas o desgastadas antes de usarlo. Asimismo, asegúrese de que la manguera esté conectada correctamente y que no haya fugas durante la operación. El operar el aparato con defectos en el funcionamiento podría causar un accidente.
14. No jale la manguera para mover el cuerpo de la hidrolavadora de presión. El hacerlo podría dañar la manguera y las piezas de conexión, provocando un cortocircuito o defectos en el funcionamiento.
15. No coloque objetos pesados sobre la manguera ni permita que algún vehículo pase encima de ésta.
16. Siempre descargue la presión residual en el aparato antes de desconectar la manguera.
17. Cuando conecte la manguera al suministro de agua, siga las instrucciones del departamento o compañía de abastecimiento de agua de su localidad.
18. Si se deja caer la hidrolavadora de presión o esta se golpea contra un objeto sólido,

asegúrese de verificar que no haya daños y agrietamientos. Si utiliza la hidrolavadora de presión con daños, esta podría generar humo, fuego u ocasionar un choque eléctrico, con posibles lesiones personales.

19. Evite un arranque accidental. Asegúrese de que el interruptor esté en la posición apagada antes de conectar el paquete de baterías, levantar el aparato o cargarlo. Cargar el aparato con su dedo en el interruptor o pasar energía al aparato con el interruptor encendido puede propiciar accidentes.
20. Desconecte el paquete de baterías del aparato antes de hacer cualquier ajuste, cambiar accesorios o almacenar el aparato. Estas medidas de seguridad preventivas reducen el riesgo de poner en marcha el aparato accidentalmente.
21. No modifique ni intente reparar el aparato ni el paquete de baterías salvo como se indique en las instrucciones para el uso y cuidado.
22. **ADVERTENCIA - Riesgo de inyección o lesión: no dirija el flujo de descarga a las personas.**
23. Asegúrese de que el objeto o área a limpiar sea resistente al agua. De lo contrario, podría ocasionar daños al artículo o al sitio, y provocar lesiones personales.

#### Uso y cuidado de la herramienta a batería

1. Recargue sólo con el cargador especificado por el fabricante. Un cargador que es adecuado para un solo tipo de batería puede generar riesgo de incendio al ser utilizado con otra batería.
2. Utilice las herramientas eléctricas solamente con las baterías designadas específicamente para ellas. La utilización de cualquier otra batería puede crear un riesgo de lesiones o incendio.
3. Cuando no se esté usando la batería, manténgala alejada de otros objetos metálicos, como sujetapapeles (clips), monedas, llaves, clavos, tornillos u otros objetos pequeños de metal los cuales pueden actuar creando una conexión entre las terminales de la batería. Originar un cortocircuito en las terminales puede causar quemaduras o incendios.
4. En condiciones abusivas, podrá escapar líquido de la batería; evite tocarlo. Si lo toca accidentalmente, enjuague con agua. Si hay contacto del líquido con los ojos, busque asistencia médica. Puede que el líquido expulsado de la batería cause irritación o quemaduras.
5. No utilice una herramienta ni una batería que estén dañadas o hayan sido modificadas. Las baterías dañadas o modificadas podrían ocasionar una situación inesperada provocando un incendio, explosión o riesgo de lesiones.
6. No exponga la herramienta ni la batería al fuego ni a una temperatura excesiva. La exposición al fuego o a una temperatura superior a los 130 °C podría causar una explosión.
7. Siga todas las instrucciones para la carga y evite cargar la herramienta o la batería fuera del rango de temperatura especificado en las instrucciones. Una carga inadecuada o a una temperatura fuera del rango especificado podría dañar la batería e incrementar el riesgo de incendio.

## Servicio

1. Siga las instrucciones de mantenimiento especificadas en el manual.
2. Para garantizar la seguridad de aparato, utilice solamente piezas de repuesto originales del fabricante o aprobadas por este.
3. El servicio de su hidrolavadora de presión deberá ser realizado por un técnico calificado usando únicamente piezas de repuesto idénticas. Esto garantizará que se mantenga la seguridad de la hidrolavadora de presión.
4. En caso de una falla o avería de la hidrolavadora de presión, apáguela inmediatamente y retire el cartucho o cartuchos de batería. Póngase en contacto con el distribuidor o centro de servicio de su localidad.

## Advertencias de seguridad adicionales

1. No utilice la herramienta cuando exista riesgo de ser alcanzado por un rayo.
2. Cuando utilice la herramienta sobre suelo embarrado, inclinaciones mojadas o superficies resbalosas, tenga cuidado al pisar.
3. Evite trabajar en un entorno deficiente donde sea probable que aumente la fatiga del usuario.
4. No reemplace la batería bajo la lluvia.
5. No sumerja la herramienta en los charcos.
6. Almacene la herramienta lejos de la lluvia y la luz directa del sol y en un sitio donde no haga calor ni haya humedad.
7. Después de utilizar la herramienta, quite la suciedad adherida y séquela completamente antes de guardarla. Dependiendo de la estación o de la zona, existe el riesgo de un mal funcionamiento por congelación.
8. No moje el terminal de la batería con líquidos, como el agua, ni sumerja la batería en ellos. No deje la batería bajo la lluvia, ni cargue, utilice, o guarde la batería en un lugar húmedo o mojado. Si el terminal se moja o entra líquido dentro de la batería, la batería puede sufrir un cortocircuito, con el consiguiente riesgo de sobrecalentamiento, incendio o explosión.
9. Después de retirar la batería de la herramienta o el cargador, asegúrese de acoplar la cubierta de la batería a la batería y de guardarla en un lugar seco.
10. No reemplace la batería con las manos mojadas.
11. Si el aparato se congela debido al clima frío, comuníquese con un centro de servicio autorizado para su reparación.
12. No use ningún alimentador con cableado eléctrico, como un adaptador para batería o una unidad portátil de alimentación eléctrica, con este aparato. El cable de dicho alimentador podría impedir la operación y ocasionar una lesión personal.

## GUARDE ESTAS INSTRUCCIONES.

**⚠ADVERTENCIA: NO DEJE** que la comodidad o familiaridad con el producto (a base de utilizarlo repetidamente) evite que siga estrictamente las normas de seguridad para dicho producto.

El USO INCORRECTO o el no seguir las normas de seguridad indicadas en este manual de instrucciones puede ocasionar lesiones graves.

## Instrucciones importantes de seguridad para el cartucho de batería

1. Antes de utilizar el cartucho de batería, lea todas las instrucciones e indicaciones de precaución en el (1) el cargador de batería, (2) la batería, y (3) el producto con el que se utiliza la batería.
2. No desarme ni modifique el cartucho de batería. Podría ocurrir un incendio, calor excesivo o una explosión.
3. Si el tiempo de operación se ha acortado en exceso, deje de operar de inmediato. Podría correrse el riesgo de sobrecalentamiento, posibles quemaduras e incluso explosión.
4. En caso de que ingresen electrolitos en sus ojos, enjuáguelos bien con agua limpia y consulte de inmediato a un médico. Esto podría ocasionar pérdida de visión.
5. Evite cortocircuitar el cartucho de batería:
  - (1) No toque las terminales con ningún material conductor.
  - (2) Evite guardar el cartucho de batería en un cajón junto con otros objetos metálicos, tales como clavos, monedas, etc.
  - (3) No exponga el cartucho de batería al agua o la lluvia.Un cortocircuito en la batería puede causar un flujo grande de corriente, sobrecalentamiento, posibles quemaduras e incluso una descompostura.
6. No guarde ni utilice la herramienta y el cartucho de batería en lugares donde la temperatura pueda alcanzar o exceder los 50 °C (122 °F).
7. Nunca incinere el cartucho de batería incluso en el caso de que esté dañado seriamente o ya no sirva en absoluto. El cartucho de batería puede explotar si se tira al fuego.
8. No clave, corte, aplaste, lance o deje caer el cartucho de batería, ni golpee un objeto sólido contra el cartucho de batería. Dicha acción podría resultar en un incendio, calor excesivo o en una explosión.
9. No use una batería dañada.
10. Las baterías de ión de litio están sujetas a los requisitos reglamentarios en materia de bienes peligrosos.

Para el transporte comercial, por ej., mediante terceros o agentes de transporte, se deben tomar en cuenta los requisitos especiales relativos al empaque y el etiquetado.

Para efectuar los preparativos del artículo que se va a enviar, se requiere consultar a un experto

en materiales peligrosos. Si es posible, consulte además otras regulaciones nacionales más detalladas.

Pegue o cubra con cinta adhesiva los contactos abiertos y empaque la batería de manera que ésta no pueda moverse dentro del paquete.

11. **Para deshacerse del cartucho de batería, sáquelo de la herramienta y deséchelo en un lugar seguro. Siga las regulaciones locales relacionadas al desecho de las baterías.**
12. **Utilice las baterías únicamente con los productos especificados por Makita.** Instalar las baterías en productos que no cumplan con los requisitos podría ocasionar un incendio, un calentamiento excesivo, una explosión o una fuga de electrolito.
13. **Si no se utiliza la herramienta por un período largo, debe extraerse la batería de la herramienta.**
14. **El cartucho de batería podría absorber calor durante y después de su uso, lo que ocasionaría quemaduras o quemaduras a baja temperatura.** Tenga cuidado con la manipulación de los cartuchos de batería que estén calientes.
15. **No toque el terminal de la herramienta inmediatamente después de su uso, ya que el mismo podría estar lo suficientemente caliente como para provocarle quemaduras.**
16. **No permita que las rebabas, el polvo o la tierra queden atrapados en los terminales, orificios y ranuras del cartucho de batería.** Podría provocar calentamiento, incendio, explosión y mal funcionamiento de la herramienta o del cartucho de batería, lo que resultaría en quemaduras o lesiones personales.
17. **No utilice el cartucho de batería cerca de cables eléctricos de alto voltaje, a menos que la herramienta sea compatible con el uso cercano a estos cables eléctricos de alto voltaje.** Esto podría ocasionar una avería o descompostura de la herramienta o del cartucho de batería.
18. **Mantenga la batería alejada de los niños.**

## GUARDE ESTAS INSTRUCCIONES.

**⚠PRECAUCIÓN:** Utilice únicamente baterías originales de Makita. El uso de baterías no originales de Makita, o de baterías alteradas, puede ocasionar que las baterías exploten causando un incendio, lesiones personales y daños. Asimismo, esto invalidará la garantía de Makita para la herramienta y el cargador Makita.

## Consejos para alargar al máximo la vida útil de la batería

1. **Cargue el cartucho de batería antes de que se descargue completamente. Pare siempre la operación y cargue el cartucho de batería cuando note menos potencia en la herramienta.**
2. **No cargue nunca un cartucho de batería que esté completamente cargado. La sobrecarga acortará la vida de servicio de la batería.**

3. **Cargue el cartucho de batería a una temperatura ambiente de 10 °C - 40 °C (50 °F - 104 °F). Si un cartucho de batería está caliente, déjelo enfriar antes de cargarlo.**
4. **Cuando no utilice el cartucho de batería, sáquelo de la herramienta o del cargador.**
5. **Cargue el cartucho de batería si no va a utilizarlo durante un período prolongado (más de seis meses).**

## DESCRIPCIÓN DEL FUNCIONAMIENTO

**⚠PRECAUCIÓN:** Asegúrese siempre de que la herramienta esté apagada y el cartucho de batería haya sido extraído antes de realizar cualquier ajuste o comprobación en la herramienta.

## Instalación o extracción del cartucho de batería

**⚠PRECAUCIÓN:** Apague siempre la herramienta antes de colocar o quitar el cartucho de batería.

**⚠PRECAUCIÓN:** Sujete la herramienta y el cartucho de la batería con firmeza al colocar o quitar el cartucho de batería. Si no se sujeta con firmeza la herramienta y el cartucho de batería, puede ocasionar que se resbalen de sus manos causando daños a la herramienta y al cartucho de batería, así como lesiones a la persona.

**⚠PRECAUCIÓN:** Tenga cuidado de no pellizcar sus dedos al abrir o cerrar la cubierta de la batería.

Abra la cubierta mientras empuja la palanca de bloqueo.

► Fig.1: 1. Cubierta 2. Palanca de bloqueo

Alinee la lengüeta en el cartucho de batería con la ranura en la carcasa, y deslícelo en su lugar. Insértelo por completo hasta que quede asegurado en su lugar haciendo un pequeño clic. Si puede ver el indicador rojo como se muestra en la ilustración, este no ha quedado asegurado por completo.

► Fig.2: 1. Indicador rojo 2. Botón 3. Cartucho de batería

Después de instalar o extraer los cartuchos de batería, asegúrese de cerrar la cubierta.

Para retirar el cartucho de batería, abra la cubierta, deslice el cartucho de batería fuera de la herramienta mientras presiona el botón del frente, y luego cierre la cubierta.



**⚠ PRECAUCIÓN:** Introduzca siempre completamente el cartucho de batería hasta que el indicador rojo no pueda verse. Si no, podría accidentalmente salirse de la herramienta y caer al suelo causando una lesión a usted o alguien a su alrededor.

**⚠ PRECAUCIÓN:** No instale el cartucho de batería a la fuerza. Si el cartucho no se desliza al interior fácilmente, se debe a que no está siendo insertado correctamente.

**⚠ PRECAUCIÓN:** Asegúrese de haber asegurado la cubierta antes de operar la herramienta.

## Sistema de protección para la herramienta/batería

La herramienta está equipada con un sistema de protección de la herramienta/batería. Este sistema corta automáticamente la alimentación al motor para prolongar la vida de la herramienta y la batería. La herramienta se detendrá automáticamente con indicación de operación si la herramienta o la batería se someten a una de las siguientes condiciones:

► Fig.3: 1. Indicador

### Protección contra sobrecarga

Cuando la herramienta o la batería se estén utilizando de una manera que cause que consuman una cantidad de corriente anormalmente alta, la herramienta se detendrá automáticamente y el indicador rojo se iluminará. En este caso, apague la herramienta y detenga la aplicación que causó que la herramienta se sobrecargara. Luego, encienda la herramienta para volver a arrancarla.

### Protección contra sobrecalentamiento

Cuando la herramienta o la batería se sobrecalienten, la herramienta se detendrá automáticamente y el indicador rojo se iluminará. En este caso, permita que la herramienta se enfríe antes de volver a encenderla.

### Protección en caso de sobredescarga

Cuando la capacidad de la batería se reduce, el indicador rojo parpadeará. Cuando la batería está cerca del punto de vaciarse, la herramienta se detendrá automáticamente y el indicador rojo se iluminará. En este caso, extraiga la batería de la herramienta y cargue la batería.

### Protección contra otras causas

El sistema de protección también está diseñado para otras causas que podrían dañar la herramienta, y permite que la herramienta se detenga automáticamente. Siga todos los pasos a continuación para eliminar las causas cuando la herramienta se haya detenido temporalmente o se haya detenido durante el funcionamiento.

1. Apague la herramienta, y luego enciéndala nuevamente para reiniciarla.

2. Cargue la(s) batería(s) o reemplácela(s) con batería(s) recargada(s).
3. Deje que la herramienta y la(s) batería(s) se enfríen.

Si no hay ninguna mejora al restaurar el sistema de protección, comuníquese con su centro local de servicio Makita.

**AVISO:** Si la herramienta se detiene debido a una causa no descrita anteriormente, consulte la sección de detección y solución de problemas.

## Indicación de la capacidad restante de la batería

Únicamente para cartuchos de batería con el indicador

Oprima el botón de verificación en el cartucho de la batería para que indique la capacidad restante de la batería. Las luces indicadoras se iluminarán por algunos segundos.

► Fig.4: 1. Luces indicadoras 2. Botón de verificación

Luces indicadoras			Capacidad restante
Iluminadas	Apagadas	Parpadeando	
			75% a 100%
			50% a 75%
			25% a 50%
			0% a 25%
			Cargar la batería.
			La batería pudo haber funcionado mal.

**NOTA:** Dependiendo de las condiciones de uso y la temperatura ambiente, la indicación podrá diferir ligeramente de la capacidad real.

**NOTA:** La primera luz indicadora (extrema izquierda) parpadeará cuando el sistema de protección de batería esté en funcionamiento.

## Interruptor de modo de presión

Seleccione el modo de presión que desee deslizando la palanca del interruptor hacia adelante y hacia atrás. Tire de la palanca hacia atrás para el modo de baja presión, de modo que se lea un símbolo numérico "1" en el interruptor.

Empuje la palanca hacia adelante para el modo de alta presión, de modo que se lea un símbolo numérico "2" en el interruptor.

► Fig.5: 1. Modo de baja presión (1) 2. Modo de alta presión (2) 3. Palanca del interruptor de modo de presión

## Gatillo interruptor

La hidrolavadora de presión emplea un bloqueo de seguridad en el gatillo. Para liberar el bloqueo del gatillo, presione el botón de bloqueo en el gatillo para que la superficie del gatillo quede plana.

Jale el gatillo interruptor para expulsar un chorro de agua. El chorro continuará mientras el gatillo se mantenga apretado.

► **Fig.6:** 1. Gatillo interruptor 2. Botón de bloqueo

Empuje el botón de bloqueo hacia afuera desde el interior del gatillo para activar el bloqueo del gatillo. Asegúrese de bloquear el gatillo cuando la hidrolavadora de presión no esté en uso.

► **Fig.7:** 1. Gatillo interruptor 2. Botón de bloqueo

## Funciones de las boquillas

La boquilla rociadora de patrones múltiples (5 en 1) presenta una variedad de patrones de rociado que usted puede ajustar según sus necesidades de lavado. Al combinar cinco de los patrones de rociado más utilizados en una boquilla, ya no tendrá que cambiar de uno a otro, simplemente seleccione el patrón de rociado adecuado para su tarea.

**Cambio sencillo de boquillas, 0°, 15°, 25°, 40° y regadera**

► **Fig.8**

► **Fig.9:** 1. Símbolo de patrón de rociado 2. Marca de triángulo

Gire el cabezal de la boquilla hacia la izquierda o hacia la derecha hasta la posición del patrón de rociado deseado. Alinee correctamente el símbolo del patrón de rociado que desea seleccionar con la marca del triángulo para que el cabezal de la boquilla se bloquee con un clic.

► **Fig.10**

**AVISO:** Tenga cuidado de no colocar el cabezal de la boquilla en una posición sin que haga clic. De lo contrario, la herramienta podría crear patrones de rociado irregulares que provocarían fugas de agua.

**PRECAUCIÓN:** Trate de no girar el cuerpo de la boquilla mientras cambia los patrones de rociado. La boquilla podría desprenderse del cuerpo de la herramienta, y provocar lesiones personales.

## Válvula de seguridad

Este aparato está equipado con una válvula de seguridad que evita aplicar una presión excesiva.

**PRECAUCIÓN:** No manipule ni modifique el ajuste de la válvula de seguridad.

## MONTAJE

**PRECAUCIÓN:** Asegúrese siempre de que la herramienta esté apagada y el cartucho de batería haya sido extraído antes de realizar cualquier trabajo en la misma.

## Instalación de boquilla y extensión para lanza

**PRECAUCIÓN:** Bloquee siempre el gatillo interruptor mientras conecta o desconecta una boquilla y una extensión.

### Boquilla

Alinee las protuberancias de guía del extremo de la boquilla con las ranuras de bloqueo en la carcasa de la herramienta. Empuje la boquilla hasta el fondo hasta que las dos marcas triangulares en la boquilla y la carcasa queden enfrentadas. Luego, gire la boquilla en la dirección que se muestra en la figura para activar el bloqueo.

Una vez instalada la boquilla, trate de jalarla para asegurarse de que está firmemente en su sitio.

► **Fig.11:** 1. Boquilla 2. Protuberancia de guía 3. Ranura de bloqueo 4. Marcas triangulares 5. Contorno en forma de aleta pelviana

**NOTA:** Asegúrese de girar el contorno en forma de aleta pelviana hacia abajo.

Para separar la boquilla, empújela y sosténgala hacia la carcasa de la herramienta y luego gírela en sentido contrario hasta que las dos marcas triangulares queden enfrentadas. Separe la boquilla de la carcasa de la herramienta después de que se desbloquee.

### Extensión para lanza

Para regar los lugares de difícil acceso. Instale la extensión para lanza entre la carcasa de la herramienta y la boquilla siguiendo los mismos pasos que se describen para la instalación de la boquilla.

► **Fig.12:** 1. Extensión para lanza 2. Carcasa de la herramienta 3. Boquilla 4. Protuberancias de guía 5. Ranuras de bloqueo 6. Marcas triangulares

Para separar los accesorios, empuje y sostenga el accesorio de punta hacia el accesorio/carcasa del montaje, y luego gírelo en sentido contrario hasta que las dos marcas triangulares queden enfrentadas. Separe el accesorio de punta del accesorio/carcasa del montaje después de que se desbloquee.

## Conexión al suministro de agua del tanque

**AVISO:** Utilice siempre la manguera de presión y el prefiltro suministrados con esta herramienta para suministrar agua.

**AVISO:** Deje siempre 2,0 m o menos de alto entre la entrada en la hidrolavadora de presión y la superficie del agua. De lo contrario, la hidrolavadora de presión no podrá hacer subir el agua a la bomba.

**AVISO:** Asegúrese de llenar un contenedor de agua de más de 25 mm de espesor desde el fondo y de sumergir el prefiltro en agua por completo.

El agua puede suministrarse desde un tanque/contenedor/depósito de cualquier tamaño.

Un tanque para riego suministrado aborda situaciones de lavado a presión, por ejemplo, lavado de automóviles y jardinería, etc., donde no hay agua disponible y debe transportarse al área o sitio de lavado.

1. Conecte el prefiltro a un extremo de la manguera de presión.

Inserte la salida del filtro en el manguito de acoplamiento, y empújelo hasta que el filtro quede asegurado en su lugar.

► **Fig.13:** 1. Prefiltro 2. Manguito de acoplamiento 3. Manguera de presión

2. Deje el prefiltro en el fondo del contenedor de agua.

► **Fig.14:** 1. Prefiltro 2. Manguera de presión 3. Gancho de la manguera

**NOTA:** Cuelgue la manguera a lo largo de la abertura usando el gancho para manguera suministrado de modo que el colador quede quieto en el fondo del contenedor.

3. Conecte el otro extremo de la manguera al conector de la manguera de agua de la hidrolavadora de presión.

Coloque el manguito de acoplamiento sobre la entrada del conector, y empújelo hasta que el manguito de acoplamiento quede asegurado en su lugar.

► **Fig.15:** 1. Manguito de acoplamiento 2. Conector de la manguera de agua

**PRECAUCIÓN:** Asegúrese de que la manguera de alta presión quede firmemente conectada. Una conexión floja podría hacer que la manguera de alta presión se soltara ocasionando una lesión personal.

**AVISO:** Introduzca de antemano agua en la hidrolavadora de presión y en la manguera cada vez que vaya a levantar agua desde una cierta profundidad en el modo de alta presión.

## Conexión al suministro de agua de red

**PRECAUCIÓN:** Utilice siempre la manguera de presión suministrada con esta herramienta para suministrar agua.

**AVISO:** Si usted la conecta a la red de suministro de agua potable, utilice una válvula antirreflujo que cumpla con los reglamentos de su región.

**AVISO:** Mantenga una presión de alimentación del agua de entrada menor a 0,5 MPa para una alimentación fina. No exceda la presión máxima de alimentación, ya que puede causar fugas de agua cuando la herramienta deja de funcionar.

El agua puede ser suministrada desde la red de agua que esté disponible en el área o sitio de lavado.

Un suministro continuo de agua le permite no preocuparse por volver a llenar el agua y le permite realizar una limpieza y jardinería eficientes en su hogar, como limpieza de manchas, enjuague y riego en un área amplia de césped o vegetación.

1. Conecte la manguera de agua resistente a la presión a la toma de agua.

Use un accesorio adecuado tal como una junta para llave de agua para asegurar el extremo de la manguera en la toma de agua.

► **Fig.16:** 1. Junta para llave de agua 2. Manguito de acoplamiento 3. Manguera de presión

**NOTA:** El tipo de accesorio dependerá de la forma que tenga la toma de agua donde vaya a realizar la conexión. Prepare un accesorio adecuado adquirido comercialmente.

2. Conecte el otro extremo de la manguera al conector de la manguera de agua de la hidrolavadora de presión.

Coloque el manguito de acoplamiento sobre la entrada del conector, y empújelo hasta que el manguito de acoplamiento quede asegurado en su lugar.

► **Fig.17:** 1. Manguito de acoplamiento 2. Conector de la manguera de agua

## Instalación de la boquilla de espuma

### Accesorio opcional

**PRECAUCIÓN:** Bloquee siempre el gatillo interruptor mientras conecta o desconecta accesorios opcionales.

**AVISO:** Use únicamente detergentes neutros. No utilice detergentes domésticos, detergentes ácidos, detergentes alcalinos, blanqueadores, disolventes, materiales inflamables o soluciones de grado industrial, que pueden dañar la herramienta o su propiedad. Prepare la solución limpiadora como se indica en la botella de la solución, y pruébela siempre con anticipación en un lugar discreto.

**AVISO:** Si se utiliza un detergente muy viscoso, es probable que la boquilla se obstruya. Cuando use detergente de alta viscosidad, diluya el detergente agregando agua a la botella antes de usar.

**NOTA:** Cuando se utiliza la boquilla de espuma, el detergente de la botella se diluye con el agua suministrada por la herramienta y se rocía. No es necesario diluir la concentración de detergente en la botella más de lo necesario. Ajuste la concentración de detergente comprobando las condiciones de uso.

**NOTA:** Si la boquilla de espuma se inclina hacia un lado, el detergente podría derramarse.

Tenga listo un detergente antes de usar la boquilla de espuma.

1. Llene el tanque con detergente. Coloque la boquilla en el tanque, y apriete firmemente la tapa.

2. Incline la boquilla de espuma para alinear sus protuberancias de guía con las ranuras de bloqueo en la carcasa de la herramienta. Empuje la boquilla hasta el fondo, y manténgala en su lugar. Luego, gire la boquilla de espuma en la dirección que se muestra en la figura para activar el bloqueo.

► **Fig.18:** 1. Boquilla de espuma 2. Tanque  
3. Protuberancia de guía 4. Ranura de bloqueo

Una vez instalada la boquilla, trate de jalarla para asegurarse de que está firmemente en su sitio.

3. Gire el dial de detergente para ajustar el volumen de succión de la solución de detergente.

► **Fig.19:** 1. Dial de detergente 2. Dial al mínimo  
3. Dial al máximo

## Instalación de boquillas opcionales

### Accesorio opcional

**⚠PRECAUCIÓN:** Bloquee siempre el gatillo interruptor mientras conecta o desconecta accesorios opcionales.

Alinee las protuberancias de guía de una boquilla opcional con las ranuras de bloqueo en la carcasa de la herramienta. Empuje la boquilla hasta el fondo, y manténgala en su lugar. Luego, gire la boquilla en la dirección que se muestra en la figura para activar el bloqueo.

Una vez instalada la boquilla, trate de jalarla para asegurarse de que está firmemente en su sitio.

► **Fig.20:** 1. Boquillas 2. Protuberancia de guía  
3. Ranura de bloqueo

Para separar la boquilla, empújela y sosténgala hacia la carcasa de la herramienta, y luego gírela en sentido contrario para liberar el bloqueo. Separe la boquilla de la lavadora a presión después de que se desbloquee.

## Instalación del adaptador para botella de plástico

### Accesorio opcional

**⚠PRECAUCIÓN:** Bloquee siempre el gatillo interruptor mientras conecta o desconecta accesorios opcionales.

**⚠PRECAUCIÓN:** Asegúrese de conectar firmemente el adaptador para botella de plástico a la hidrolavadora de presión y la botella de plástico. No hacerlo podría causar que la botella se caiga, resultando en lesiones personales.

**NOTA:** Se puede preferir el uso de una botella de plástico de 2 litros (medio galón) para contener agua.

1. Llene una botella de plástico con agua.
2. Introduzca el tubo de succión a través de la abertura de la botella.
3. Conecte el adaptador a la botella enroscando la tuerca del manguito de acoplamiento.
4. Conecte el adaptador para botella de plástico al conector de la manguera de agua de la hidrolavadora de presión.

Coloque el manguito de acoplamiento sobre la entrada del conector, y empújelo hasta que el manguito de acoplamiento quede asegurado en su lugar.

► **Fig.21:** 1. Adaptador para botella de plástico  
2. Tubo de succión 3. Botella de plástico  
4. Conector de la manguera de agua

## OPERACIÓN

**⚠ADVERTENCIA:** Evite tocar el chorro de agua o dirigirlo hacia usted u otras personas. El chorro de agua es peligroso y podría lastimarlo a usted y a las demás personas.

**⚠ADVERTENCIA:** Cuando dispare el chorro de agua, jamás sujete el objeto que está limpiando ni coloque sus manos y pies cerca del chorro de agua.

**⚠PRECAUCIÓN:** No ponga en marcha la hidrolavadora de presión sin que tenga agua durante más de 1 minuto(s).

**⚠PRECAUCIÓN:** No utilice la hidrolavadora de presión durante un periodo de tiempo prolongado. Esto podría causar sobrecalentamiento o un incendio. Además, el uso prolongado podría causar una vibración irregular.

**⚠PRECAUCIÓN:** Tenga en cuenta la dirección del viento. Si llegara a introducirse detergente en sus ojos o boca, enjuague con agua de la llave de inmediato y solicite atención médica si es necesario.

**AVISO:** Para proteger el mecanismo de la hidrolavadora de presión, evite usar agua a una temperatura de más de 40°C (104°F).

**AVISO:** No utilice un suministro de agua sin tratar, como agua de río, agua de estanque y agua arenosa o fangosa. El agua sucia sin filtrar podría provocar la deposición de material no deseado en la bomba y provocar un mal funcionamiento.

#### Altura de levantado de agua

La altura vertical desde la fuente de agua hasta la entrada de succión de agua de la hidrolavadora de presión debe estar dentro de 2,0 m.

#### Profundidad del agua en reserva

Llene un contenedor de agua a más de 25 mm de espesor desde el fondo.

- **Fig.22:** 1. Altura de levantado de agua  
2. Profundidad del agua en reserva

#### Pasos en la operación básica

1. Conecte la entrada de la manguera de agua al suministro de agua.

2. Conecte la salida de la manguera de agua a la hidrolavadora de presión.

► **Fig.23**

3. Si el agua restante en la hidrolavadora de presión se ha descargado desde la última vez que se usó, introduzca agua en la manguera de presión y en la hidrolavadora de presión.

Deje correr agua a través de la manguera y la hidrolavadora hasta que se libere el aire que contienen.

(1) Retire la boquilla de la hidrolavadora de presión.

(2) Instale el cartucho de batería en la hidrolavadora de presión.

(3) Seleccione el modo de alta presión.

(4) Desbloquee el gatillo interruptor.

(5) Tire y mantenga presionado el gatillo interruptor hasta que la hidrolavadora de presión genere un chorro de agua estable.

► **Fig.24:** 1. Palanca del interruptor de modo de presión

Después de permitir que salga el aire de la hidrolavadora de presión y de la manguera, suelte el gatillo interruptor.

Retire el cartucho de batería de la hidrolavadora de presión, y coloque la boquilla adecuada para su propósito.

4. Abra la cubierta e instale el cartucho de batería en la hidrolavadora de presión, y luego bloquee la cubierta.

► **Fig.25:** 1. Cartucho de batería 2. Cubierta

**PRECAUCIÓN:** Tenga cuidado de no pellizcar sus dedos al abrir o cerrar la cubierta de la batería.

5. Seleccione el modo de presión que desee. Luego, desbloquee el gatillo interruptor.

► **Fig.26:** 1. Palanca del interruptor de modo de presión 2. Gatillo interruptor 3. Botón de bloqueo

6. Apunte el cabezal de la boquilla hacia el área o sitio de riego. Apriete el gatillo interruptor.

El chorro de agua continuará mientras el gatillo se mantenga apretado.

► **Fig.27**

► **Fig.28**

**PRECAUCIÓN:** Sostenga firmemente la hidrolavadora de presión. La herramienta hace un movimiento de retroceso cuando jale del gatillo interruptor.

**PRECAUCIÓN:** Siempre sostenga la hidrolavadora de presión por la empuñadura y el cañón cuando se expulse un chorro de agua.

## Después del uso

**PRECAUCIÓN:** Después de la operación de la hidrolavadora de presión, realice siempre el procedimiento descrito en este manual. La presión residual en la hidrolavadora de presión podría causar lesiones personales o daños a la bomba en el interior.

1. Suelte el gatillo interruptor y bloquéelo usando el botón de bloqueo.

2. Desconecte la manguera de agua del suministro de agua.

► **Fig.29**

3. Desbloquee el gatillo interruptor y apriételo hasta que se descargue el agua restante en la hidrolavadora de presión y la manguera.

► **Fig.30**

**AVISO:** No deje que el motor esté en marcha por más de 1 minuto(s).

4. Suelte el gatillo interruptor y bloquéelo usando el botón de bloqueo. Luego, retire la batería de la hidrolavadora de presión.

► **Fig.31:** 1. Botón de bloqueo 2. Cartucho de batería

5. Desconecte la manguera de presión de la hidrolavadora de presión.

► **Fig.32:** 1. Manguito de acoplamiento 2. Conector de la manguera de agua

**AVISO:** Para evitar daños a la manguera de presión, elimine el agua restante en la manguera antes de guardarla.

## MANTENIMIENTO

**PRECAUCIÓN:** Asegúrese siempre de que la herramienta esté apagada y que el cartucho de batería sea extraído antes de intentar realizar una inspección o mantenimiento.

**AVISO:** Nunca use gasolina, bencina, diluyente (tíner), alcohol o sustancias similares. Puede que esto ocasione grietas o descoloramiento.

Para mantener la SEGURIDAD y FIABILIDAD del producto, las reparaciones, y cualquier otra tarea de mantenimiento o ajuste deberán ser realizadas en centros de servicio autorizados o de fábrica Makita, empleando siempre repuestos Makita.

## Limpeza de las boquillas

Utilice la varilla de limpieza, una extensión pequeña tipo lima, para eliminar la suciedad obstruida de las aberturas de la boquilla.

► **Fig.33:** 1. Varilla de limpieza 2. Boquilla

**NOTA:** Para mantener un desempeño óptimo, limpie la boquilla periódicamente.

**AVISO:** No remueva la suciedad o los residuos con fuerza. Esto podría ocasionar lesiones personales o daños al orificio de expulsión causando desviación en los ángulos del chorro o un desempeño deficiente.

## Limpeza de los filtros

Desprenda el conector de la manguera de agua de la hidrolavadora de presión. Remueva el polvo o la suciedad adheridos al filtro.

► **Fig.34:** 1. Conector de la manguera de agua  
2. Filtro 3. Anillo tórico

Desmunte el prefiltro desenroscando la caja del filtro. Remueva el polvo o la suciedad adheridos al filtro.

► **Fig.35:** 1. Filtro 2. Caja del filtro

**NOTA:** Para mantener un desempeño óptimo, limpie el filtro periódicamente.

## RESOLUCIÓN DE PROBLEMAS

Antes de solicitar alguna reparación, primero realice una inspección por su cuenta. Si detecta algún problema que no esté explicado en el manual, no intente desensamblar la herramienta. En vez de esto, solicite la reparación a un centro de servicio autorizado de Makita, usando siempre piezas de repuesto Makita.

Estado de la anomalía	Causa probable (avería)	Remedio
La hidrolavadora no arranca.	No hay electricidad.	Instale el cartucho de batería cargado.
	El gatillo interruptor se bloquea.	Desbloquee el gatillo interruptor.
	La batería o circuito eléctrico están dañados	Póngase en contacto con un centro de servicio autorizado para la reparación.
No hay chorro de agua/el chorro de agua es débil.	No hay suministro de agua.	Asegúrese de que la toma de agua esté abierta. Si se conecta al suministro de agua del tanque, introduzca agua en la hidrolavadora de presión y en la manguera.
	El suministro de agua es deficiente.	Abra la toma de agua.
	La conexión de la manguera de agua está mal hecha.	Verifique la conexión entre la hidrolavadora de presión y el suministro de agua.
	Manguera de agua deformada o desgastada	Enderece la manguera. Reemplace la manguera de agua dañada por una nueva.
	La manguera o la boquilla están tapados	Destape la manguera o la boquilla.
	Filtros tapados	Retire el polvo o la suciedad adheridos a los filtros en el prefiltro y el conector de la manguera de agua.
	Agua residual/contaminada	Limpie el sistema de agua y rellénelo con agua limpia.
	La boquilla está dañada o desgastada.	Reemplace la boquilla.
	La bomba o la válvula están averiadas.	Póngase en contacto con un centro de servicio autorizado para la reparación.
	Junta de agua suelta	Asegure la conexión entre la manguera de agua y los manguitos de acoplamiento.
	Fugas en la conexión de suministro de agua	Vuelva a apretar la conexión entre la manguera de agua y el suministro de agua.
	Prefiltro mal instalado	Sumerja el prefiltro en el agua por completo.
	Modo de baja presión en uso	Seleccione el modo de alta presión.

Estado de la anomalía	Causa probable (avería)	Remedio
El chorro de agua es inestable.	La boquilla está tapada.	Destape el orificio de expulsión de la boquilla usando la varilla de limpieza.
	La succión de agua es deficiente.	Revise la manguera de agua para detectar fugas u obstrucciones.
	El agua está demasiado caliente.	Suministre agua más fría.
	La válvula está averiada.	Póngase en contacto con un centro de servicio autorizado para la reparación.
Se escucha un sonido anormal.	El agua está demasiado caliente.	Suministre agua más fría.
Fuga de agua	La conexión está mal hecha.	Verifique la conexión entre la hidrolavadora de presión y el suministro de agua.
	Instalación deficiente de la boquilla	Empuje la boquilla hasta el fondo. Luego, gire la boquilla hasta que quede bloqueada de forma segura.
	El cabezal de la boquilla permanece en una posición incorrecta	Coloque el cabezal de la boquilla en una posición en la que haga clic con un símbolo de patrón de rociado claramente visible.
	Las juntas están desgastadas.	Póngase en contacto con un centro de servicio autorizado para la reparación.

## ACCESORIOS OPCIONALES

**⚠PRECAUCIÓN:** Estos accesorios o aditamentos están recomendados para utilizarse con su herramienta Makita especificada en este manual.

El empleo de cualquier otro accesorio o aditamento puede conllevar el riesgo de lesiones personales. Utilice los accesorios o aditamentos solamente para su fin establecido.

Si necesita cualquier ayuda para más detalles en relación con estos accesorios, pregunte a su centro de servicio local Makita.

**NOTA:** Algunos de los artículos en la lista pueden incluirse en el paquete de la herramienta como accesorios estándar. Éstos pueden variar de país a país.

### Boquilla de espuma

► Fig.36

Permite rociar detergente en forma de espuma.

### Cepillo de limpieza

► Fig.37

Consiste en una boquilla equipada con un cepillo. Resulta útil para limpiar la suciedad tallando con el cepillo.

### Boquilla en ángulo

► Fig.38

Un cabezal de boquilla en ángulo puede girar 360 grados, lo que permite maniobrabilidad y cubierta sin ángulos muertos.

### Adaptador para botella de plástico

► Fig.39

Bombear agua embotellada y extráigala fácilmente de una botella de plástico. Una botella de agua puede servir como fuente de agua.

## AVISO

- O aparelho não deve ser utilizado por crianças. Crianças devem ser supervisionadas para garantir que não brinquem com o aparelho.
- Este aparelho não deve ser usado por pessoas (incluindo crianças) com capacidade física, sensorial ou mental reduzida, ou ainda por pessoas sem experiência ou conhecimento, a menos que sejam supervisionadas ou instruídas sobre o uso do aparelho por uma pessoa responsável pela segurança de tais pessoas.
- A água sob pressão não deve ser direcionada para pessoas, equipamentos elétricos energizados ou para o próprio aparelho.
- Antes de executar qualquer trabalho com o aparelho, certifique-se de que ele está desligado e que a bateria foi retirada.
- Não use o aparelho se componentes importantes dele estiverem danificados, p. ex., dispositivos de segurança ou mangueiras de pressão.
- Leia as instruções da seção de manutenção para verificar detalhes das precauções pertinentes a serem seguidas durante a manutenção pelo usuário.
- Informe-se sobre a faixa de temperatura normal para o carregamento da bateria. Leia as instruções de segurança da bateria para conhecer as precauções de manuseio de baterias.
- Leia as instruções da seção de montagem para verificar detalhes das precauções pertinentes a serem seguidas durante a instalação do aparelho.
- Informe-se sobre a pressão máxima de entrada da água. Leia as informações da seção de especificações para verificar os detalhes apropriados da conexão à rede de abastecimento de água.
- Utilize sempre os conjuntos de mangueiras fornecidos com o aparelho. Leia as instruções da seção de montagem para conhecer as precauções a serem tomadas para a conexão à rede de abastecimento de água.
- A abertura de enchimento de água não deve ser aberta durante o uso. Siga as instruções da seção de montagem para manter a pressão da água.



- Não utilize em piscinas que contiverem água.
- Cumpra com as exigências da empresa responsável pelo abastecimento de água local.
- Somente para países europeus:  
Segundo a norma EN12729 (BA), o equipamento também pode ser conectado à rede de abastecimento de água potável, desde que uma válvula de retenção com dreno seja instalada na mangueira de suprimento.

## ESPECIFICAÇÕES

Modelo:		DHW180
Vazão máxima <sup>*1</sup> [Suprimento de água do tanque / suprimento de água da rede]		3,0 / 5,3 L/min
Vazão regular <sup>*2</sup>	Modo de alta pressão	2,5 L/min
	Modo de baixa pressão	1,5 L/min
Pressão máxima de trabalho		2,4 MPa
Pressão de trabalho <sup>*2</sup>	Modo de alta pressão [Suprimento de água do tanque / suprimento de água da rede]	2,0 / 2,2 MPa
	Modo de baixa pressão [Suprimento de água do tanque / suprimento de água da rede]	0,8 / 0,8 MPa
Pressão máxima da alimentação		0,5 MPa
Temperatura máxima da alimentação		40°C
Altura máxima de sucção		2,0 m
Tensão nominal		18 V CC
Dimensões <sup>*3</sup> [C x L x A]		888 mm x 99 mm x 239 mm
Peso		2,3 - 2,7kg

\*1 : Sem o bocal

\*2 : Padrão do jato: 15°

\*3 : Com bocal 5 em 1 e tubo de extensão

- Devido ao nosso contínuo programa de pesquisa e desenvolvimento, reservamo-nos o direito de alterar especificações de partes e acessórios que constam neste manual, sem aviso prévio.
- As especificações podem diferir de país para país.
- O peso pode variar de acordo com o(s) acessório(s), incluindo a bateria. A combinação mais leve e a mais pesada, de acordo com o Procedimento 01/2014 da EPTA, estão mostradas na tabela.

### Bateria e carregador aplicáveis

Bateria	BL1815N / BL1820B / BL1830B / BL1840B / BL1850B / BL1860B
Carregador	DC18RC / DC18RD / DC18RE / DC18SD / DC18SE / DC18SF / DC18SH / DC18WC

- Alguns dos carregadores e baterias listados acima podem não estar disponíveis na sua região de residência.

**⚠️ AVISO:** Use somente as baterias e carregadores listados acima. O uso de outras baterias e carregadores pode provocar ferimentos e/ou incêndios.

**⚠️ AVISO:** Não use uma fonte de alimentação com cabo com esta máquina, como por exemplo um adaptador de bateria ou um adaptador de bateria tipo mochila. O cabo desse tipo de fonte de alimentação pode interferir com a operação e causar ferimentos.

## Símbolos

Os símbolos mostrados a seguir podem ser usados para o equipamento. Certifique-se de compreender o significado deles antes de usar o equipamento.



Leia o manual de instruções.



Tenha muito cuidado e atenção.



Ni-MH  
Li-Ion

Apenas para países da UE  
Devido à presença de componentes perigosos nos equipamentos, resíduos de equipamentos elétricos e eletrônicos, acumuladores e baterias podem gerar impactos negativos sobre o meio ambiente e a saúde humana.

Não descarte aparelhos elétricos e eletrônicos ou baterias juntamente com o lixo doméstico!

De acordo com a Diretiva Europeia relativa aos resíduos de equipamentos elétricos e eletrônicos, e a acumuladores, baterias e os resíduos destes, bem como sua adaptação como legislação nacional, resíduos de equipamentos elétricos e eletrônicos, baterias e acumuladores devem ser armazenados separadamente e enviados para um ponto de coleta de resíduos municipais separado, que opere em conformidade com as regulamentações de proteção ambiental.

Isso é indicado pelo símbolo da lixeira com um X afixado no equipamento.



Não conecte a uma torneira de água potável.



Não direcione o jato contra outras pessoas, incluindo você mesmo, nem contra animais e equipamentos elétricos energizados.

## Indicação de uso

Este ferramenta é indicada para a limpeza de sujeiras por meio de jatos de água, para usos domésticos. Com a possibilidade de selecionar os tipos de jato, a ferramenta funciona para melhorar sua operação de lavagem, assim como a rega de gramados e jardins.

## Vibração

O valor total da vibração (soma vetorial triaxial) é determinado de acordo com EN60335-2-79:

Emissão de vibrações ( $a_h$ ): 3,24 m/s<sup>2</sup>

Desvio (K): 1,5 m/s<sup>2</sup>

**NOTA:** Os valores totais de vibração declarados foram medidos de acordo com um método de teste padrão e podem ser usados para comparar uma ferramenta a outra.

**NOTA:** Os valores totais de vibração declarados também podem ser usados em uma avaliação preliminar de exposição.

**AVISO:** A emissão de vibração durante o uso real da ferramenta elétrica poderá diferir dos valores declarados de acordo com a forma de uso da ferramenta, especialmente com o tipo da peça de trabalho processada.

**AVISO:** Certifique-se de identificar medidas de segurança para proteger o operador, baseadas em uma estimativa da exposição nas condições efetivas de uso (levando em conta todas as partes do ciclo operacional, tais como quantas vezes a ferramenta é desligada e quando opera em vazio, além do tempo de acionamento).

## AVISOS DE SEGURANÇA

### AVISOS DE SEGURANÇA IMPORTANTES

**AVISO:** Leia todos os avisos de segurança e todas as instruções. O não cumprimento dos avisos e das instruções pode resultar em choque elétrico, incêndio e/ou lesões graves.

## Guarde todos esses avisos e instruções para futuras referências.

**AVISO -** Quando usar este produto, siga sempre as precauções básicas, incluindo as seguintes:

### Segurança da área de trabalho

1. Mantenha todas as demais pessoas afastadas da área de operação.
2. Não tente alcançar algo além do seu ponto de equilíbrio, nem fique sobre superfícies instáveis. Mantenha-se sempre com os pés bem assentados e em equilíbrio no chão.
3. Mantenha sempre o corpo da lavadora de pressão em uma superfície nivelada e estável. Evite áreas onde a água ejetada possa escorrer ou empoçar.
4. Antes da limpeza, verifique a área ao redor e os objetos a serem limpos. Jatos pressurizados podem remover camadas de tinta ou outros tratamentos superficiais, incluindo compostos químicos tóxicos. Tome medidas preventivas, se necessário.
5. Tome cuidado para não tropeçar na mangueira da lavadora de pressão. Esteja sempre atento à posição da mangueira durante a operação.
6. Durante o uso, uma pequena quantidade de água sairá pela base da lavadora de pressão. Tome cuidado para não operar a ferramenta acima de áreas que você não deseja que fiquem molhadas.

### Segurança pessoal

1. Para se proteger contra o jato e contra objetos deslocados pelo jato, os operadores devem usar roupas e acessórios apropriados, tais como botas de segurança, luvas de segurança, capacetes com visores, proteção auditiva, etc.

2. **Use equipamentos de proteção individual.** Dependendo da aplicação, utilize protetor facial, óculos de proteção ou de segurança, pois a proteção dos olhos pode parar detritos arremessados durante as diferentes operações.
3. **Não use a lavadora de pressão se houver outras pessoas na área ao redor, a menos que elas estejam usando roupas de proteção.**
4. **Para reduzir o risco de ferimentos, supervisão atenta é necessária quando o produto estiver sendo usado próximo a crianças.**
5. **Caso seja feita a conexão a um sistema de água potável, o sistema deverá ser protegido contra fluxo reverso.**
6. **Depois de passar pelo preventor de fluxo reverso, a água não é considerada potável.**
13. **Verifique se existem peças danificadas ou desgastadas antes de usar. Certifique-se também de que a mangueira está corretamente conectada e que não existem vazamentos durante a operação. Operar o aparelho com defeitos funcionais pode resultar em acidentes.**
14. **Não movimente a lavadora de pressão puxando-a pela mangueira. Isso pode causar danos à mangueira e peças de conexão, resultando em curtos-circuitos ou defeitos funcionais.**
15. **Não coloque objetos pesados sobre a mangueira nem deixe que veículos passem sobre ela.**
16. **Alivie sempre a pressão residual do aparelho antes de desconectar a mangueira.**

#### Segurança elétrica

1. **Nunca toque nas baterias com as mãos molhadas.**
2. **Não use o aparelho se componentes importantes dele estiverem danificados, p. ex., dispositivos de segurança ou mangueiras de pressão.**
3. **Evite ambientes perigosos. Não use a ferramenta em locais úmidos ou molhados, nem a exponha a chuva. A entrada de água na ferramenta irá aumentar o risco de choque elétrico.**

#### Utilização e cuidados com a ferramenta elétrica

1. **Leia todas as instruções antes de usar o produto.**
2. **Saiba como parar a lavadora de pressão e aliviar as pressões rapidamente. Familiarize-se bem com os controles.**
3. **Não pulverize líquidos inflamáveis nem tóxicos. Fazer isso pode provocar explosões, intoxicações ou danificar o aparelho.**
4. **Não direcione o jato contra você mesmo ou contra outras pessoas para limpar roupas ou calçados.**
5. **As mangueiras, acessórios e acoplamentos de pressão são importantes para a segurança do aparelho. Utilize somente as mangueiras, acessórios e acoplamentos especificados pelo fabricante.**
6. **Siga as instruções ao trocar acessórios.**
7. **Mantenha os punhos da ferramenta secos, limpos e sem óleo ou graxa.**
8. **Mantenha-se alerta - preste atenção no que está fazendo.**
9. **Não opere o produto se estiver cansado ou sob a influência de álcool, drogas ou medicamentos.**
10. **Não opere a lavadora de pressão sem água por mais de um minuto. Isso danifica o motor e provoca defeitos de funcionamento.**
11. **Desligue sempre a alimentação de energia e corte o suprimento de água ao se afastar da lavadora de pressão e deixá-la sem supervisão.**
12. **Tome cuidado com recuos. O aparelho recua quando o jato pressurizado é ejetado do bocal. Segure o aparelho com firmeza para impedir ferimentos acidentais.**
17. **Ao conectar a mangueira ao suprimento de água, observe as instruções de seu departamento ou agência de água local.**
18. **Se a lavadora de pressão for derrubada ou se chocar contra um objeto rígido, verifique se não sofreu danos ou se apresenta trincas. O uso da lavadora de pressão danificada pode produzir fumaça, incêndios ou causar choques elétricos, resultando em ferimentos pessoais.**
19. **Evite ligar acidentalmente. Certifique-se de que o interruptor está na posição desligada antes de instalar a bateria e antes de pegar ou carregar o aparelho. Carregar o aparelho com o dedo no interruptor ou energizar o aparelho com o interruptor ligado favorece a ocorrência de acidentes.**
20. **Desconecte a bateria do aparelho antes de fazer ajustes, trocar acessórios ou guardar o aparelho. Estas medidas preventivas de segurança reduzem o risco de o aparelho ser acionado acidentalmente.**
21. **Não modifique nem tente reparar o aparelho ou a bateria, exceto conforme indicado nas instruções de uso e cuidados.**
22. **AVISO - Risco de injeção ou ferimentos - não direcione o fluxo de descarga para pessoas.**
23. **Certifique-se de que o objeto ou área a ser limpo resiste à ação da água. Caso contrário, a operação poderá danificar o item ou local e causar ferimentos.**

#### Uso e cuidados de manuseio da bateria

1. **Recarregue somente com o carregador especificado pelo fabricante. Um carregador que é adequado para um tipo de bateria pode criar risco de incêndio quando usado com outra bateria.**
2. **Use as ferramentas elétricas somente com as baterias especificamente designadas. O uso de qualquer outro tipo de bateria pode criar riscos de lesão e incêndio.**
3. **Quando a bateria não estiver em uso, mantenha-a longe de outros objetos metálicos, como cliques, moedas, chaves, pregos, parafusos, etc., que podem conectar um terminal ao outro. O curto-circuito dos terminais da bateria pode causar queimaduras ou incêndio.**
4. **Sob condições extremas, a bateria pode ejetar líquido; evite contato com tal líquido. Se ocorrer um contato acidental, lave com água. Se o líquido entrar nos olhos, procure também**

**assistência médica.** O líquido ejetado pela bateria pode causar irritação e queimaduras.

5. **Não use uma bateria ou ferramenta que esteja danificada ou tenha sido modificada.** Baterias danificadas ou modificadas podem exibir um comportamento imprevisível, resultando em incêndio, explosão ou risco de lesões.
6. **Não exponha a bateria nem a ferramentas a chamas ou a temperaturas excessivas.** A exposição a chamas ou a uma temperatura acima de 130 °C podem causar explosão.
7. **Siga todas as instruções de carregamento e não carregue a bateria nem a ferramenta fora da faixa de temperatura especificada nas instruções.** O carregamento inadequado ou a temperaturas fora da faixa especificada pode danificar a bateria e aumentar o risco de incêndio.

#### Manutenção e reparos

1. **Siga as instruções de manutenção especificadas neste manual.**
2. **Para garantir a segurança do aparelho, use somente peças de reposição originais do fabricante, ou por ele aprovadas.**
3. **Providencie para que a manutenção e os reparos de sua lavadora de pressão sejam realizados por pessoal qualificado, utilizando somente peças de reposição idênticas.** Isto assegurará que a segurança da lavadora de pressão seja mantida.
4. **Em caso de avarias ou problemas de funcionamento da lavadora de pressão, desligue-a imediatamente e retire a(s) bateria(s). Entre em contato com seu revendedor ou centro de assistência técnica autorizado local.**

#### Avisos adicionais de segurança

1. **Não use a ferramenta quando houver risco de relâmpagos.**
2. **Quando usar a ferramenta em terrenos lamacentos, declives molhados ou locais escorregadios, tome o cuidado de assentar os pés com firmeza.**
3. **Evite trabalhar em um ambiente hostil, onde se espera a maior fadiga do usuário.**
4. **Não troque a bateria na chuva.**
5. **Não mergulhe a ferramenta em poças.**
6. **Ao guardar a ferramenta, evite expô-la à luz solar direta e à chuva, mantendo-a em um local onde não fique quente nem úmida.**
7. **Depois de usar a ferramenta, retire a sujeira aderida e seque-a completamente antes de guardar.** Dependendo da estação do ano ou da área, existirá risco de mau funcionamento devido ao congelamento.
8. **Não molhe o terminal da bateria com líquidos como água, nem mergulhe a bateria.** Não deixe a bateria na chuva, nem carregue, use ou armazene a bateria em locais úmidos ou molhados. Se o terminal for molhado, ou se entrar algum líquido na bateria, ela poderá entrar em curto-circuito e oferecer risco de aquecimento excessivo, incêndio ou explosão.
9. **Depois de retirar a bateria da ferramenta ou do carregador, certifique-se de recolocar a tampa da bateria na bateria e guardá-la em um local**

**seco.**

10. **Não troque a bateria com as mãos molhadas.**
11. **Se o aparelho congelar durante o inverno, entre em contato com o centro de assistência técnica autorizado para providenciar reparos.**
12. **Não use uma fonte de alimentação com cabo com este equipamento, como por exemplo um adaptador de bateria ou um adaptador de bateria tipo mochila.** O cabo desse tipo de fonte de alimentação pode interferir com a operação e causar ferimentos.

## GUARDE ESTAS INSTRUÇÕES.

**⚠AVISO:** NÃO permita que o conforto ou a familiaridade com o produto (adquirido com a utilização repetitiva) substitua a aderência estrita às regras de segurança desta ferramenta.

O USO INCORRETO ou falha em seguir as regras de segurança descritas neste manual de instruções pode causar ferimentos pessoais graves.

### Instruções de segurança importantes para o cartucho da bateria

1. **Antes de utilizar a bateria, leia todas as instruções e notas de precaução do (1) carregador de bateria, da (2) bateria e do (3) produto usando a bateria.**
2. **Não desmonte nem adultere a bateria.** Isto poderia resultar em incêndio, aquecimento excessivo ou explosão.
3. **Se o tempo de operação se tornar excessivamente mais curto, pare imediatamente a operação.** Operação nessas condições poderá resultar em superaquecimento, possíveis queimaduras e até explosão.
4. **Caso caia eletrólitos em seus olhos, lave-os com água limpa e procure assistência de um médico imediatamente.** Esse acidente pode resultar na perda de visão.
5. **Não provoque um curto-circuito na bateria:**
  - (1) **Não toque nos terminais com nenhum material condutor.**
  - (2) **Não guarde a bateria junto com outros objetos metálicos, tais como pregos, moedas, etc.**
  - (3) **Não exponha a bateria à chuva ou água.** Um curto-circuito na bateria pode causar sobrecarga de corrente, aquecimento excessivo ou possíveis queimaduras ou avarias.
6. **Não guarde nem use a ferramenta e a bateria em locais onde a temperatura possa atingir ou ultrapassar 50°C.**
7. **Não queime a bateria mesmo se estiver severamente danificada ou gasta.** A bateria pode explodir no fogo.
8. **Não perfure, corte, amasse, arremesse ou derrube a bateria, nem a atinja com um objeto rígido.** Isto poderia resultar em incêndio, aquecimento excessivo ou explosão.
9. **Não utilize uma bateria danificada.**

10. **As baterias de íons de lítio desta máquina estão sujeitas aos requisitos da legislação de produtos perigosos.**  
Para transportes comerciais, por exemplo por terceiros e agentes de embarque, os requisitos especiais referentes a embalagem e rotulagem devem ser obedecidos.  
Para a preparação do item sendo expedido, é necessário consultar um especialista em materiais perigosos. Considere também que as regulamentações nacionais podem ser mais detalhadas e devem ser obedecidas.  
Coloque fita ou tape os contatos abertos e embale a bateria de maneira que não se mova dentro da embalagem.
  11. **Para descartar a bateria, retire-a da ferramenta e descarte-a em um local seguro. Siga as regulamentações locais referentes ao descarte de baterias.**
  12. **Use as baterias somente com os produtos especificados pela Makita.** A instalação das baterias com produtos não compatíveis poderá resultar em incêndio, aquecimento excessivo, explosão ou vazamento de eletrólito.
  13. **A bateria deverá ser retirada da ferramenta caso esta não vá ser usada por um período de tempo prolongado.**
  14. **Durante e após o uso, a bateria pode ficar quente e causar queimaduras normais ou queimaduras de baixa temperatura. Preste atenção ao manusear baterias quentes.**
  15. **Não toque no terminal da ferramenta imediatamente depois de usá-la, uma vez que ele pode ficar quente o bastante para provocar queimaduras.**
  16. **Não permita que aparas, poeira ou solo fiquem presos nos terminais, furos e ranhuras da bateria.** Isso poderia provocar o aquecimento, incêndios, explosões ou problemas de funcionamento na ferramenta ou na bateria, causando queimaduras ou outros ferimentos.
  17. **A menos que a ferramenta seja compatível com o uso nas proximidades de linhas elétricas de alta tensão, não a use próximo a estas.** Isso poderia resultar em problemas de funcionamento ou em avarias da ferramenta ou da bateria.
  18. **Mantenha a bateria fora do alcance de crianças.**
2. **Nunca recarregue uma bateria completamente carregada. O carregamento demorado diminuirá a vida útil da bateria.**
  3. **Carregue a bateria em uma temperatura ambiente entre 10°C e 40°C. Deixe a bateria esfriar antes de carregá-la.**
  4. **Quando não estiver usando a bateria, remova-a da ferramenta ou do carregador.**
  5. **Carregue a bateria se não utilizá-la por um longo período de tempo (mais de seis meses).**

## DESCRIÇÃO FUNCIONAL

**⚠️PRECAUÇÃO:** Certifique-se sempre de que a ferramenta esteja desligada e a bateria retirada antes de executar qualquer ajuste ou verificação das funções da ferramenta.

### Instalação ou remoção da bateria

**⚠️PRECAUÇÃO:** Sempre desligue a ferramenta antes de colocar ou retirar a bateria.

**⚠️PRECAUÇÃO:** Segure a ferramenta e a bateria firme ao colocar ou retirar a bateria. Falha em segurar a ferramenta e a bateria firmemente pode fazer com que elas escorreguem das mãos e sejam danificadas ou causem lesões pessoais.

**⚠️PRECAUÇÃO:** Tome cuidado para não prender os dedos ao abrir ou fechar a tampa da bateria.

Abra a tampa enquanto empurra a alavanca de travamento.

► **Fig.1:** 1. Tampa 2. Alavanca de travamento

Alinhe a lingueta da bateria à ranhura no alojamento e deslize-a em posição. Insira-a até o fim, até encaixar em posição com um pequeno clique. Se você puder ver o indicador vermelho, conforme mostrado na figura, isso significa que ela não está completamente encaixada.

► **Fig.2:** 1. Indicador vermelho 2. Botão 3. Bateria

Depois de instalar ou remover as baterias, certifique-se de fechar a tampa.

Para remover a bateria, abra a tampa, deslize a bateria para fora da ferramenta enquanto aperta o botão dianteiro para baixo, e feche a tampa.

**⚠️PRECAUÇÃO:** Sempre coloque a bateria completamente, até não ver mais o indicador vermelho. Caso contrário, ela poderá cair da ferramenta acidentalmente e provocar ferimentos em você ou em alguém por perto.

**⚠️PRECAUÇÃO:** Não force a colocação da bateria. Se ela não deslizar com facilidade é porque não está sendo colocada corretamente.

**⚠️PRECAUÇÃO:** Certifique-se de travar a tampa antes de iniciar a operação.

## GUARDE ESTAS INSTRUÇÕES.

**⚠️PRECAUÇÃO:** Use somente baterias Makita originais. O uso de baterias Makita não originais ou baterias que foram alteradas pode causar a explosão da bateria e resultar em incêndio, ferimentos às pessoas na área e danos aos equipamentos. O uso de baterias não originais cancela a garantia Makita tanto para a ferramenta quanto para o carregador da bateria.

## Dicas para manter a vida útil máxima da bateria

1. **Carregue a bateria antes de uma descarga completa. Sempre pare a operação da ferramenta e carregue a bateria quando notar perda de potência.**

## Sistema de proteção da ferramenta / bateria

A ferramenta é equipada com um sistema de proteção da ferramenta/bateria. Esse sistema corta automaticamente a alimentação de energia do motor para prolongar a vida útil da ferramenta e da bateria. A ferramenta para automaticamente com uma indicação se uma das seguintes condições ocorrer com ela ou com a bateria:

► **Fig.3:** 1. Indicador

### Proteção contra sobrecarga

Quando a operação da ferramenta ou da bateria provoca um consumo anormalmente alto de corrente, a ferramenta para automaticamente e o indicador vermelho acende. Nesse caso, desligue a ferramenta e interrompa a aplicação que provocou a sobrecarga. Em seguida, ligue a ferramenta para reiniciar.

### Proteção contra superaquecimento

Quando a ferramenta ou a bateria aquecem demais, a ferramenta para automaticamente e o indicador vermelho acende. Nesse caso, aguarde até a ferramenta esfriar antes de ligá-la novamente.

### Proteção contra descarga excessiva

Quando a capacidade da bateria fica baixa, o indicador vermelho acende. Quando a carga da bateria está prestes a se esgotar, a ferramenta para automaticamente e o indicador vermelho acende. Nesse caso, remova a bateria da ferramenta e recarregue-a.

### Proteção contra outros problemas

O sistema de proteção também se destina a outros problemas que poderiam causar danos à ferramenta, parando-a automaticamente. Siga o procedimento a seguir para eliminar as causas dos problemas se a operação da ferramenta houver sido temporariamente interrompida.

1. Desligue a ferramenta e ligue-a novamente para reiniciar.
2. Recarregue as baterias ou troque-as por baterias recarregadas.
3. Deixe a ferramenta e as baterias esfriarem.

Se o problema não for resolvido com a restauração do sistema de proteção, entre em contato com seu centro de assistência técnica Makita.

**OBSERVAÇÃO:** Se a ferramenta parar devido a uma causa não descrita acima, consulte a seção de identificação e resolução de problemas.

## Indicação da capacidade restante das baterias

### Somente para baterias com o indicador

Pressione o botão de checagem na bateria para ver a capacidade restante das baterias. As lâmpadas indicadoras acendem por alguns segundos.

► **Fig.4:** 1. Lâmpadas indicadoras 2. Botão de checagem

Lâmpadas indicadoras			Capacidade restante
Acesa	Desl	Piscando	
■ ■ ■ ■	□	▧	75% a 100%
■ ■ ■ □	□	▧	50% a 75%
■ ■ □ □	□	▧	25% a 50%
■ □ □ □	□	▧	0% a 25%
▧ □ □ □	□	▧	Carregue a bateria.
■ ■ □ □	□	▧	A bateria pode ter falhado.
□ □ ■ ■	□	▧	

**NOTA:** Dependendo das condições de uso e da temperatura ambiente, a indicação pode ser um pouco diferente da capacidade real.

**NOTA:** A primeira lâmpada indicadora (extrema esquerda) pisca quando o sistema de proteção da bateria funciona.

## Seleto do modo de pressão

Selecione o modo de pressão desejado deslizando o seletor para a frente e para trás.

Puxe o seletor para trás para colocar no modo de baixa pressão, até que o símbolo "1" possa ser lido no seletor. Puxe o seletor para a frente para colocar no modo de alta pressão, até que o símbolo "2" possa ser lido no seletor.

► **Fig.5:** 1. Modo de baixa pressão (1) 2. Modo de alta pressão (2) 3. Seleto do modo de pressão

## Gatilho do interruptor

A lavadora de pressão possui uma trava de segurança no gatilho. Para liberar a trava do gatilho, pressione o botão de travamento no gatilho até que a superfície deste se torne plana.

Aperte o gatilho do interruptor para iniciar o jato de água. O jato continuará a ser emitido enquanto o gatilho estiver sendo pressionado.

► **Fig.6:** 1. Gatilho do interruptor 2. Botão de travamento

Aperte o botão de travamento novamente para ele sair do interior do gatilho e travá-lo. Certifique-se de travar o gatilho quando a lavadora de pressão não estiver sendo usada.

► **Fig.7:** 1. Gatilho do interruptor 2. Botão de travamento

## Funções do bocal

O bocal de jato em multipadrões (5 em 1) oferece diversos padrões de jatos que podem ser ajustados de acordo com as necessidades de lavagem. Por meio da combinação entre os cinco padrões de jatos mais usados em um único bocal, não é preciso mais trocar de um bocal para outro, bastando girar até colocar no padrão de spray correto para a sua tarefa.

## Troca simples de bocais, 0°, 15°, 25°, 40° e tipo chuva

### ► Fig.8

► **Fig.9:** 1. Símbolo padrão de pulverização 2. Marca do triângulo

Gire à esquerda ou à direita o cabeçote do bocal até a posição do padrão de pulverização desejado. Alinhe corretamente o símbolo do padrão de pulverização que deseja selecionar com a marca do triângulo para que o cabeçote do bocal trave com um clique.

### ► Fig.10

**OBSERVAÇÃO:** Tome cuidado para não deixar o cabeçote do bocal em uma posição sem que ele faça um clique. Se isso for feito, a ferramenta poderá criar padrões de jato irregulares, provocando vazamentos de água.

**PRECAUÇÃO:** Tente não girar o corpo do bocal ao mesmo tempo, pois você mudará os padrões dos jatos. O bocal pode se soltar do corpo da ferramenta e provocar ferimentos.

## Válvula de segurança

Esta ferramenta possui uma válvula de segurança que previne a ocorrência de sobrepressão indevida.

**PRECAUÇÃO:** Não adultere nem ajuste a regulagem da válvula de segurança.

## MONTAGEM

**PRECAUÇÃO:** Verifique sempre se a ferramenta está desligada e se a bateria está retirada antes de realizar qualquer trabalho na ferramenta.

## Instalação do bocal e da extensão da lança

**PRECAUÇÃO:** Trave sempre o gatilho do interruptor antes de instalar/desinstalar o bocal e a extensão.

### Bocal

Alinhe os ressaltos de orientação na ponta do bocal aos encaixes de travamento no corpo da ferramenta. Empurre o bocal totalmente, até as duas marcações triangulares no bocal e no corpo da ferramenta se encontrarem. Gire o bocal na direção mostrada na figura para acionar a trava.

Depois de instalar o bocal, tente retirá-lo para confirmar que está preso com firmeza em posição.

► **Fig.11:** 1. Bocal 2. Ressalto de orientação 3. Encaixe de travamento 4. Marcações triangulares 5. Aleta

**NOTA:** Certifique-se de deixar a aleta voltada para baixo.

Para soltar o bocal, aperte e segure o bocal em direção ao corpo da ferramenta e gire-o no sentido anti-horário até as duas marcações triangulares se encontrarem.

Puxe o bocal para separá-lo do corpo da ferramenta depois que ele destravar.

### Extensão da lança

Para regar/lavar pontos de difícil acesso. Para instalar a extensão da lança entre o corpo da ferramenta e o bocal, siga o mesmo procedimento descrito para a instalação do bocal.

► **Fig.12:** 1. Extensão da lança 2. Corpo da ferramenta 3. Bocal 4. Ressaltos de orientação 5. Encaixes de travamento 6. Marcações triangulares

Para soltar acessórios, aperte e segure a ponta do acessório em direção à base/corpo do acessório e gire-o no sentido anti-horário até as duas marcações triangulares se encontrarem. Puxe a ponta do acessório para separá-lo da base/corpo do acessório depois que ele destravar.

## Conexão ao tanque de suprimento de água

**OBSERVAÇÃO:** Use sempre a mangueira de pressão e o filtro de linha fornecido com esta ferramenta para o suprimento de água.

**OBSERVAÇÃO:** Mantenha sempre uma diferença de 2,0 m ou menos na altura entre a entrada da lavadora de pressão e a superfície da água. Se isso não for feito, a lavadora de pressão não conseguirá aspirar água para dentro da bomba.

**OBSERVAÇÃO:** Certifique-se de encher um recipiente de água até um nível superior a 25 mm a partir do fundo, e de submergir o filtro de linha completamente na água.

A água pode ser suprida a partir de um tanque/recipiente/reservatório de qualquer tamanho.

O suprimento de água a partir de um tanque possibilita o uso para diversas finalidades, como por exemplo, lavagem de carros, jardinagem, etc, em áreas onde não há água disponível e esta precisa ser transportada até o local de uso.

1. Instale o filtro de linha na ponta da mangueira de pressão.

Insira a saída do filtro de linha na luva de acoplamento e empurre-a até o filtro de linha ficar instalado com firmeza.

► **Fig.13:** 1. Filtro de linha 2. Luva de acoplamento 3. Mangueira de pressão

2. Posicione o filtro de linha no fundo do recipiente de água.

► **Fig.14:** 1. Filtro de linha 2. Mangueira de pressão 3. Gancho da mangueira

**NOTA:** Pendure a mangueira na borda da abertura usando o gancho da mangueira fornecido, de forma que o filtro permaneça imóvel no fundo do recipiente.

3. Prenda a outra ponta da mangueira no conector da mangueira de água da lavadora de pressão.

Coloque a luva de acoplamento por sobre a entrada do conector e empurre-a até ela ficar encaixada com firmeza.

- **Fig.15:** 1. Luva de acoplamento 2. Conector da mangueira de água

**⚠PRECAUÇÃO:** Certifique-se de que mangueira de alta pressão está presa com firmeza. Uma conexão frouxa pode expelir a mangueira de alta pressão com violência, causando ferimentos.

**OBSERVAÇÃO:** Carregue água na lavadora de pressão e na mangueira antes de você começar a aspirar água a partir de uma certa profundidade no modo de alta pressão.

## Conexão à rede de abastecimento de água

**⚠PRECAUÇÃO:** Use sempre a mangueira de pressão fornecida com esta ferramenta para o suprimento de água.

**OBSERVAÇÃO:** Se a conexão for realizada em uma linha de suprimento de água potável, utilize uma válvula de retenção que atenda às regulamentações de sua região.

**OBSERVAÇÃO:** Mantenha a pressão de alimentação de água na entrada inferior a 0,5 MPa para obter uma boa alimentação. Não ultrapasse a pressão máxima de alimentação pois isso pode resultar em vazamentos de água quando a ferramenta parar de funcionar.

A água pode ser suprida a partir da rede de abastecimento de água disponível na área ou local da lavagem. Com um suprimento contínuo de água, não é necessário se preocupar em reabastecer a água, o que possibilita atividades eficientes de limpeza doméstica e jardinagem, tais como limpeza localizada, enxágue e rega de áreas amplas de gramado ou vegetação.

1. Conecte a mangueira de pressão à torneira.

Utilize uma conexão adequada, tal como uma conexão para torneira, para prender a ponta da mangueira na torneira.

- **Fig.16:** 1. Adaptador de torneira para mangueira 2. Luva de acoplamento 3. Mangueira de pressão

**NOTA:** O tipo de conexão dependerá do formato da torneira à qual se deseja conectar a mangueira. Providencie uma conexão adequada adquirida comercialmente.

2. Prenda a outra ponta da mangueira no conector da mangueira de água da lavadora de pressão.

Coloque a luva de acoplamento por sobre a entrada do conector e empurre-a até ela ficar encaixada com firmeza.

- **Fig.17:** 1. Luva de acoplamento 2. Conector da mangueira de água

## Instalação do bocal de espuma

### Acessório opcional

**⚠PRECAUÇÃO:** Trave sempre o gatilho do interruptor antes de instalar/desinstalar acessórios opcionais.

**OBSERVAÇÃO:** Use somente detergentes neutros. Não utilize detergentes domésticos, detergentes ácidos, detergentes alcalinos, alvejantes, solventes, materiais inflamáveis ou soluções de grau industrial, os quais podem danificar a ferramenta ou a sua propriedade. Prepare a solução de limpeza conforme instruções da embalagem e sempre teste o produto em um local não visível antes de aplicar.

**OBSERVAÇÃO:** Se um detergente altamente viscoso for usado, o bocal possivelmente entupirá. Para usar um detergente altamente viscoso, dilua-o adicionando água no frasco antes de usar.

**NOTA:** Quando o bocal de espuma é utilizado, o detergente no frasco é diluído com a água fornecida pela ferramenta e pulverizado. Não é preciso reduzir a concentração de detergente no frasco diluindo-o mais que o necessário. Ajuste a concentração do detergente enquanto verifica as condições de uso.

**NOTA:** Se o bocal de espuma for deixado de lado, o detergente poderá derramar.

Prepare o detergente antes de usar o bocal de espuma.

1. Encha o tanque com detergente. Instale o bocal no tanque e feche a tampa, apertando com firmeza.
2. Incline o bocal de espuma para alinhar seus ressaltos de orientação aos encaixes de travamento no corpo da ferramenta. Empurre o bocal até o fim e segure-o em posição. Gire o bocal de espuma na direção mostrada na figura para acionar a trava.

- **Fig.18:** 1. Bocal de espuma 2. Tanque 3. Ressalto de orientação 4. Encaixe de travamento

Depois de instalar o bocal, tente retirá-lo para confirmar que está preso com firmeza em posição.

3. Gire o seletor de detergente para ajustar o volume de aspiração da solução de detergente.

- **Fig.19:** 1. Seletor de detergente 2. Gire até o mínimo 3. Gire até o máximo

## Instalação de bocais opcionais

### Acessório opcional

**⚠PRECAUÇÃO:** Trave sempre o gatilho do interruptor antes de instalar/desinstalar acessórios opcionais.

Alinhe os ressaltos de orientação em um bocal opcional aos encaixes de travamento no corpo da ferramenta. Empurre o bocal até o fim e segure-o em posição. Gire o bocal na direção mostrada na figura para acionar a trava.

Depois de instalar o bocal, tente retirá-lo para confirmar que está preso com firmeza em posição.

- **Fig.20:** 1. Bocais 2. Ressalto de orientação 3. Encaixe de travamento



Para soltar o bocal, aperte e segure o bocal em direção ao corpo da ferramenta e gire-o no sentido anti-horário para destravar. Puxe o bocal para separá-lo da lavadora de pressão depois que ele destravar.

## Instalação do adaptador para garrafas plásticas

### Acessório opcional

**⚠️ PRECAUÇÃO:** Trave sempre o gatilho do interruptor antes de instalar/desinstalar acessórios opcionais.

**⚠️ PRECAUÇÃO:** Certifique-se de acoplar com firmeza o adaptador para garrafas à lavadora de pressão e à garrafa plástica. Não fazer isso poderá fazer com que a garrafa se solte e caia, provocando ferimentos.

**NOTA:** Uma garrafa plástica de 2 litros (meio galão) pode ser utilizada para conter água.

1. Encha uma garrafa plástica com água.
2. Insira o tubo de sucção através da boca da garrafa.
3. Prenda o adaptador na garrafa atarraxando a porca na luva de acoplamento.
4. Prenda o adaptador para garrafas plásticas no conector da mangueira de água da lavadora de pressão.

Coloque a luva de acoplamento por sobre a entrada do conector e empurre-a até ela ficar encaixada com firmeza.

- **Fig.21:** 1. Adaptador para garrafas plásticas  
2. Tubo de sucção 3. Garrafa plástica  
4. Conector da mangueira de água

## OPERAÇÃO

**⚠️ AVISO:** Não toque no jato de água nem o direcione para você mesmo ou outras pessoas. O jato de água é perigoso e pode ferir você ou outras pessoas.

**⚠️ AVISO:** Ao aplicar o jato de água, nunca segure o objeto que você estiver limpando, nem coloque suas mãos ou pés próximo do jato de água.

**⚠️ PRECAUÇÃO:** Não opere a lavadora de pressão sem água por mais de 1 minuto.

**⚠️ PRECAUÇÃO:** Não opere a lavadora de pressão por períodos de tempo prolongados. Isto poderá resultar em aquecimento excessivo ou incêndio. Além disso, o uso prolongado também pode provocar problemas de vibração.

**⚠️ PRECAUÇÃO:** Verifique a direção do vento. No caso de contato de detergente com os olhos ou a boca, lave com água doce imediatamente e consulte um médico, se necessário.

**⚠️ OBSERVAÇÃO:** Para proteger o mecanismo da lavadora de pressão, não use água a uma temperatura superior a 40°C (104°F).

**⚠️ OBSERVAÇÃO:** Não use abastecimento de água não tratada, como água de rio, lago e água com areia ou lamacenta. Água suja não filtrada pode causar deposição de material indesejado na bomba, resultado em mau funcionamento.

### Altura de sucção da água

A distância vertical entre o nível da fonte de suprimento da água e a entrada de sucção da água na lavadora de pressão deve ser de até 2,0 m.

### Profundidade da água

Encha um recipiente com água até um nível superior a 25 mm a partir do fundo.

- **Fig.22:** 1. Altura de sucção da água  
2. Profundidade da água

### Procedimento de operação básica

1. Conecte a entrada da mangueira de água ao suprimento de água.
2. Conecte a saída da mangueira de água à lavadora de pressão.  
► **Fig.23**
3. Se a água remanescente no interior da lavadora de pressão tiver sido descarregada depois do último uso, encha a mangueira de pressão e a lavadora de pressão com água.  
Deixe a água escoar através da mangueira e da lavadora até que nenhum ar seja mais expelido.  
  - (1) Retire o bocal da lavadora de pressão.
  - (2) Instale a bateria na lavadora de pressão.
  - (3) Selecione o modo de alta pressão.
  - (4) Destrave o gatilho do interruptor.
  - (5) Aperte e segure o gatilho do interruptor até a lavadora de pressão gerar um jato de água estável.  
► **Fig.24:** 1. Seletor do modo de pressão

Depois que as bolhas de ar forem expelidas da lavadora de pressão e da mangueira, solte o gatilho do interruptor.

Retire a bateria da lavadora de pressão e coloque o bocal apropriado para a sua finalidade de uso.

4. Abra a tampa, instale a bateria na lavadora de pressão e trave a tampa.  
► **Fig.25:** 1. Bateria 2. Tampa

**⚠️ PRECAUÇÃO:** Tome cuidado para não prender os dedos ao abrir ou fechar a tampa da bateria.

5. Selecione o modo de pressão desejado. Destrave o gatilho do interruptor.  
► **Fig.26:** 1. Seletor do modo de pressão 2. Gatilho do interruptor 3. Botão de travamento
6. Aponte o cabeçote do bocal para a área ou local de lavagem. Aperte o gatilho do interruptor.  
O jato de água será emitido enquanto o gatilho estiver sendo pressionado.  
► **Fig.27**  
► **Fig.28**

**⚠️ PRECAUÇÃO:** Segure a lavadora de pressão com firmeza. A ferramenta recua quando você aperta o gatilho do interruptor.

**⚠️ PRECAUÇÃO:** Sempre que disparar o jato d'água, segure a lavadora de pressão pelo punho e pelo tambor.

## Depois do uso

**⚠️ PRECAUÇÃO:** Depois de operar a lavadora de pressão, execute sempre o procedimento descrito neste manual. A pressão residual na lavadora de pressão pode causar ferimentos ou danos à bomba interna.

1. Solte o gatilho do interruptor e trave-o utilizando o botão de travamento.
2. Desconecte a mangueira de água do suprimento de água.  
▶ **Fig.29**
3. Destrave o gatilho do interruptor e aperte-o até que toda a água remanescente no interior da lavadora de pressão e da mangueira seja descarregada.  
▶ **Fig.30**

**OBSERVAÇÃO:** Não opere o motor por mais de 1 minuto.

4. Solte o gatilho do interruptor e trave-o utilizando o botão de travamento. Retire a bateria da lavadora de pressão.  
▶ **Fig.31:** 1. Botão de travamento 2. Bateria
5. Desconecte a mangueira de pressão da lavadora de pressão.  
▶ **Fig.32:** 1. Luva de acoplamento 2. Conector da mangueira de água

**OBSERVAÇÃO:** Para impedir que a mangueira de pressão sofra danos, remova a água que ainda estiver contida no interior da mangueira antes de guardá-la.

## MANUTENÇÃO

**⚠️ PRECAUÇÃO:** Antes de realizar qualquer trabalho de inspeção ou manutenção, verifique se a ferramenta está desligada e se a bateria foi removida.

**OBSERVAÇÃO:** Nunca use gasolina, benzina, diluente, álcool ou produtos semelhantes. Pode ocorrer descoloração, deformação ou rachaduras.

Para manter a SEGURANÇA e a CONFIABILIDADE do produto, os reparos e qualquer outra manutenção ou ajustes devem ser feitos pelos centros autorizados de assistência técnica da Makita ou na própria fábrica da Makita, utilizando sempre peças originais Makita.

## Limpeza dos bocais

Com o auxílio de um pino de limpeza, um pequeno pino que funciona como uma lima, remova a sujeira acumulada nas aberturas do bocal.

▶ **Fig.33:** 1. Pino de limpeza 2. Bocal

**NOTA:** Para manter um desempenho ótimo, limpe o bocal periodicamente.

**OBSERVAÇÃO:** Não remova sujeira ou detritos à força. Isto poderá causar ferimentos ou danos ao furo de ejeção, resultando na emissão de jatos em ângulos desviados ou no desempenho deficiente do equipamento.

## Filtros de limpeza

Retire o conector da mangueira de água da entrada da lavadora de pressão. Remova poeiras ou sujeiras que estiverem aderidas ao filtro.

▶ **Fig.34:** 1. Conector da mangueira de água 2. Filtro 3. Anel de vedação

Desmonte o filtro de linha desenroscando-o do compartimento do filtro. Remova poeiras ou sujeiras que estiverem aderidas ao filtro.

▶ **Fig.35:** 1. Filtro 2. Compartimento do filtro

**NOTA:** Para manter um desempenho ótimo, limpe o filtro periodicamente.

## SOLUÇÃO DE PROBLEMAS

Antes de solicitar reparos, faça primeiro sua própria inspeção. Se encontrar um problema que não esteja explicado no manual, não tente desmontar o equipamento. Em vez disso, solicite o conserto a um centro de assistência técnica autorizada da Makita, usando sempre peças de reposição originais da Makita.

Estado de anormalidade	Causa provável (funcionamento incorreto)	Reparação
A lavadora não liga.	Não há energia elétrica.	Instale uma bateria carregada.
	O gatilho do interruptor está travado.	Destrave o gatilho do interruptor.
	Bateria ou circuito elétrico danificados	Solicite reparos a um centro de assistência técnica autorizado.

Estado de anormalidade	Causa provável (funcionamento incorreto)	Reparação
O jato de água não está saindo / está fraco.	Não há suprimento de água.	Certifique-se de que torneira está aberta. Se estiver conectado a um tanque de suprimento de água, carregue a lavadora de pressão e a mangueira com água.
	Suprimento de água insuficiente	Abra a torneira.
	Conexão deficiente da mangueira de água	Verifique a conexão entre a lavadora de pressão e o suprimento de água.
	Mangueira de água deformada ou desgastada	Endireite a mangueira. Troque a mangueira de água por uma nova.
	Mangueira ou bocal entupidos	Desentupa a mangueira ou o bocal.
	Filtros entupidos	Remova as poeiras ou sujeiras aderidas aos elementos filtrantes do filtro de linha e ao conector da mangueira de água.
	Água suja/contaminada	Limpe o sistema de água e torne a encher com água limpa.
	Bocal danificado ou desgastado	Troque o bocal.
	Mau funcionamento da bomba ou da válvula	Solicite reparos a um centro de assistência técnica autorizado.
	Conexão de água frouxa	Aperte a conexão entre a mangueira de água e as luvas de acoplamento.
	Vazamentos na conexão do suprimento de água	Reaperte a conexão entre a mangueira de água e o suprimento de água.
	Filtro de linha instalado incorretamente	Mergulhe o filtro de linha completamente na água.
Jato de água instável	Modo de baixa pressão em uso	Selecione o modo de alta pressão.
	Bocal obstruído	Desobstrua o furo de ejeção do bocal usando o pino de limpeza.
	Sucção de água insuficiente	Verifique se a mangueira de água apresenta vazamentos ou entupimentos.
	A água está muito quente.	Providencie um suprimento de água mais fria.
Ruído anormal	Mau funcionamento da válvula	Solicite reparos a um centro de assistência técnica autorizado.
	A água está muito quente.	Providencie um suprimento de água mais fria.
Vazamento de água	Conexão deficiente	Verifique a conexão entre a lavadora de pressão e o suprimento de água.
	Instalação incorreta do bocal	Aperte o bocal até o fim. Em seguida, gire o bocal até ele travar com firmeza.
	O cabeçote do bocal está em uma posição incorreta	Ajuste o cabeçote do bocal em uma posição em que ele faça um clique, com um símbolo de padrão de jato claramente visível.
	Vedações desgastadas	Solicite reparos a um centro de assistência técnica autorizado.

## ACESSÓRIOS OPCIONAIS

**⚠️ PRECAUÇÃO:** Os acessórios ou extensões especificados neste manual são recomendados para utilização com a sua ferramenta Makita. A utilização de quaisquer outros acessórios ou extensões pode causar risco de ferimentos. Utilize o acessório ou extensão apenas para o fim a que se destina.

Se necessitar de informações adicionais relativas a estes acessórios, solicite-as ao centro de assistência técnica Makita em sua região.

**NOTA:** Alguns itens da lista podem estar incluídos na embalagem da ferramenta como acessórios padrão. Eles podem variar de país para país.

### Bocal de espuma

► Fig.36

Detergente pode ser pulverizado como espuma.

### Escova de lavagem

► Fig.37

Um bocal equipado com uma escova. Conveniente para remover sujeira por lavagem enquanto a área é escovada.

### Bocal em ângulo

► Fig.38

Um cabeçote de bocal em ângulo pode girar 360 graus, permitindo manobrabilidade e alcance sem nenhum ângulo morto.

## **Adaptador para garrafas plásticas**

### **► Fig.39**

Permite bombear água em garrafas, extraindo-a com facilidade de uma garrafa plástica. Uma garrafa de água pode ser usada como recipiente de abastecimento de água.

**Makita Corporation**  
3-11-8, Sumiyoshi-cho,  
Anjo, Aichi 446-8502 Japan  
[www.makita.com](http://www.makita.com)

DHW180-SA3-2402 EN, ESMX, PTBR 20240514
---