



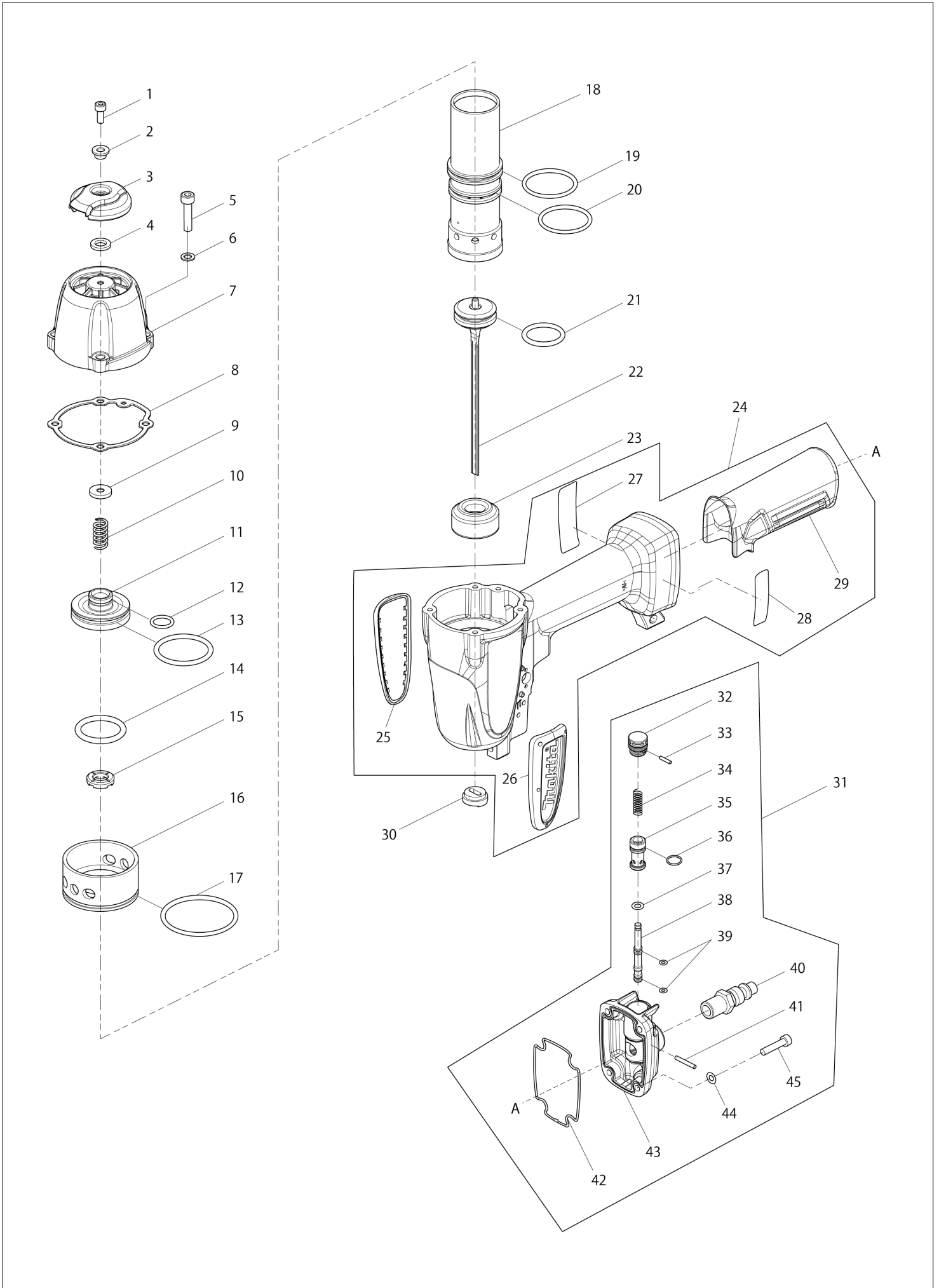
# Diagram / Parts List

**AT638A**

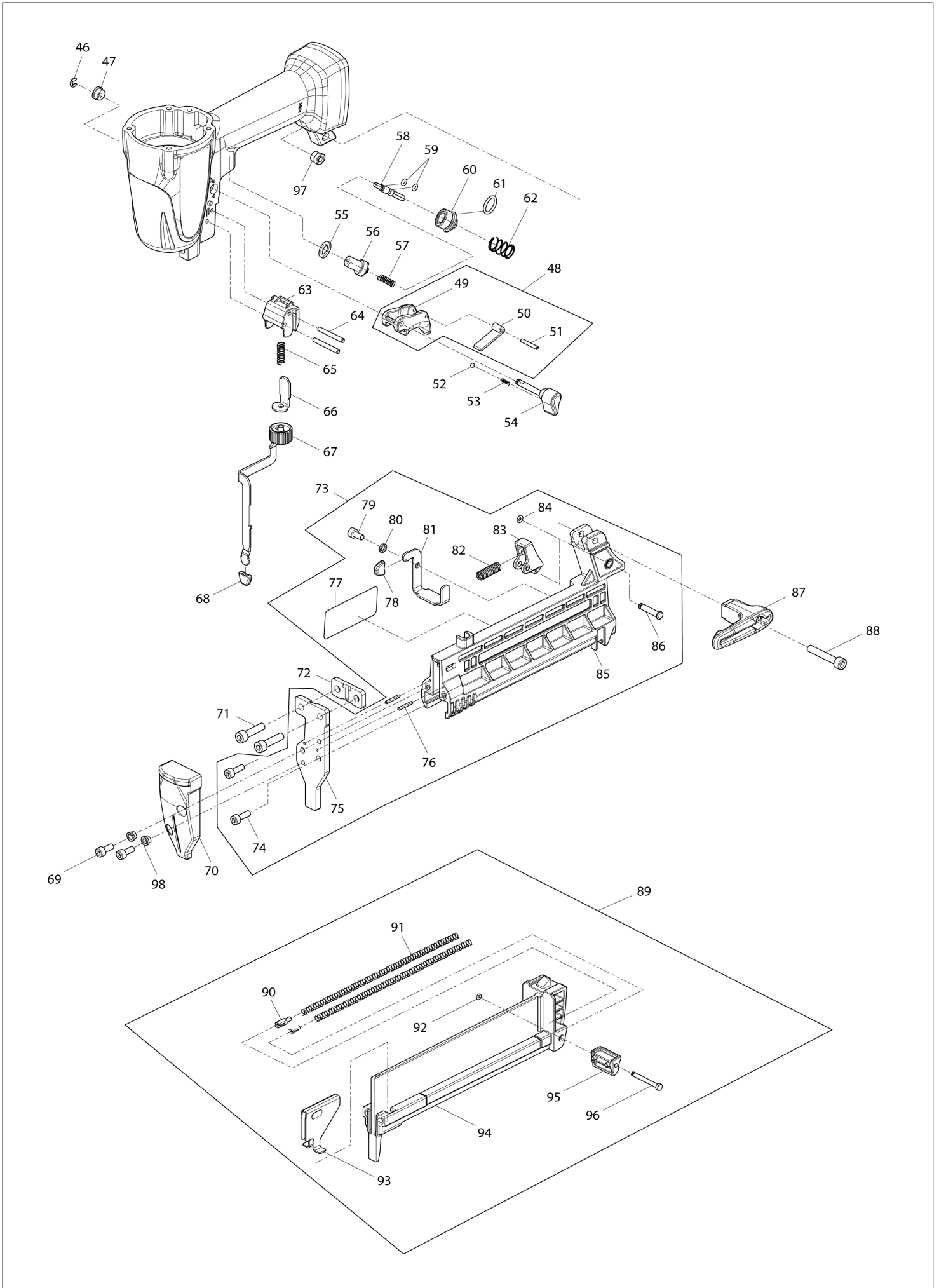
**NARROW CROWN STAPER**



(IN) AT638A / NARROW CROWN STAPER



(IN) AT638A / NARROW CROWN STAPER



### AT638A / NARROW CROWN STAPER

Item	Sub	Parts No.	Parts Description	Qty	I/C	E/C No.	Close No.	Remark
001		HY00000001	HEX.SOCKET HEAD BOLT M4X10	1				
002		HY00000002	SLEEVE4	1				
003		HY00000508	EXHAUSTCOVER	1				
004		HY00000004	RUBBER WASHER 7	1				
005		HY00000049	HEX.SOCKET HEAD BOLT M5X22	4				
006		HY00000160	FLAT WASHER 5	4				
007		HY00000511	TOPCAP	1				
008		HY00000509	TOPCAPGASCKET	1				
009		HY00000008	CUSHION V	1				
010		HY00000629	COMPRESSIONSPRING7	1				
011		HY00000507	HEADVALVE	1				
012		HY00000010	O-RING 12	1				
013		HY00000011	O-RING 33	1				
014		HY00000408	ORING26.5	1				
015		HY00000014	CUSHION P	1				
016		HY00000510	CYLINDERSEPARATER	1				
017		HY00000016	O-RING 46	1				
018		HY00000512	CYLINDER	1				
019		HY00000021	O-RING 31	1				
020		HY00000409	ORING30.5	1				
021		HY00000400	ORING22.5	1				
022		HY00000551	DRIVERCOMPLETE	1				
023		HY00000546	FRONTCUSHION	1				
024		HY00000754	HOUSINGCOMPLETE	1				
	D10		INC. 25-29					
025		HY00000429	HOUSINGBUMPERR	1				
026		HY00000428	HOUSINGBUMPERL	1				
027		HY00000755	NAMEPLATE	1				
028		HY00000105	CAUTION LABEL	1				
029		HY00000558	GRIP	1				
030		HY00000023	FRONT SEAL	1				
031		HY00000736	AIRDUSTERCOMPLETE	1				
	D10		INC. 32-45					
032		HY00000573	DUSTERBUTTON	1				
033		HY00000046	PIN 2-10	1				
034		HY00000589	COMPRESSIONSPRING5	1				
035		HY00000599	VALVEGUIDE	1				
036		HY00000399	ORING8.5	1				
037		HY00000397	ORING5	1				
038		HY00000513	VALVESTEM	1				
039		HY00000037	O-RING 3	2				
040		HY00000082	ONE TOUCH JOINT	1				
041		HY00000054	SPRING PIN 2.5-18	1				
042		HY00000580	SEALRING	1				
043		HY00000750	INLETCAP	1				
044		HY00000070	FLAT WASHER4	4				
045		HY00000650	HEX.SOCKETHEADBOLTM4X20	4				
046		HY00000659	STOP RING E-3	1				
047		HY00000521	SLEEVE4	1				
048		HY00000433	TRIGGERCOMPLETE	1				
	D10		INC. 49-51					
049		HY00000436	TRIGGER	1				
050		HY00000437	IDLER	1			Y07957	
050-1		HY00000816	IDLER	1	X	Y07957		
051		HY00000053	SPRING PIN 2.5-16	1				
052		HY00000526	STEELBALL3	1				
053		HY00000590	COMPRESSIONSPRING2	1				
054		HY00000519	LEVER4	1				
055		HY00000033	RUBBER RING 8	1				
056		HY00000034	TRIGGER VALVE GUIDE	1				
057		HY00000035	COMPRESSION SPRING 4	1				
058		HY00000515	TRIGGERVALVESTEM	1			Y07957	
058-1		HY00000949	TRIGGER VALVE STEM	1	X	Y07957		
059		HY00000037	O-RING 3	2				
060		HY00000038	TRIGGER VALVE CASE	1				

A:

Interchange  
 O : Yes  
 X : No  
 < : the new part can be substituted for the current.  
 > : the current part can be substituted for the new.  
 S : Interchangeable as a set.

