



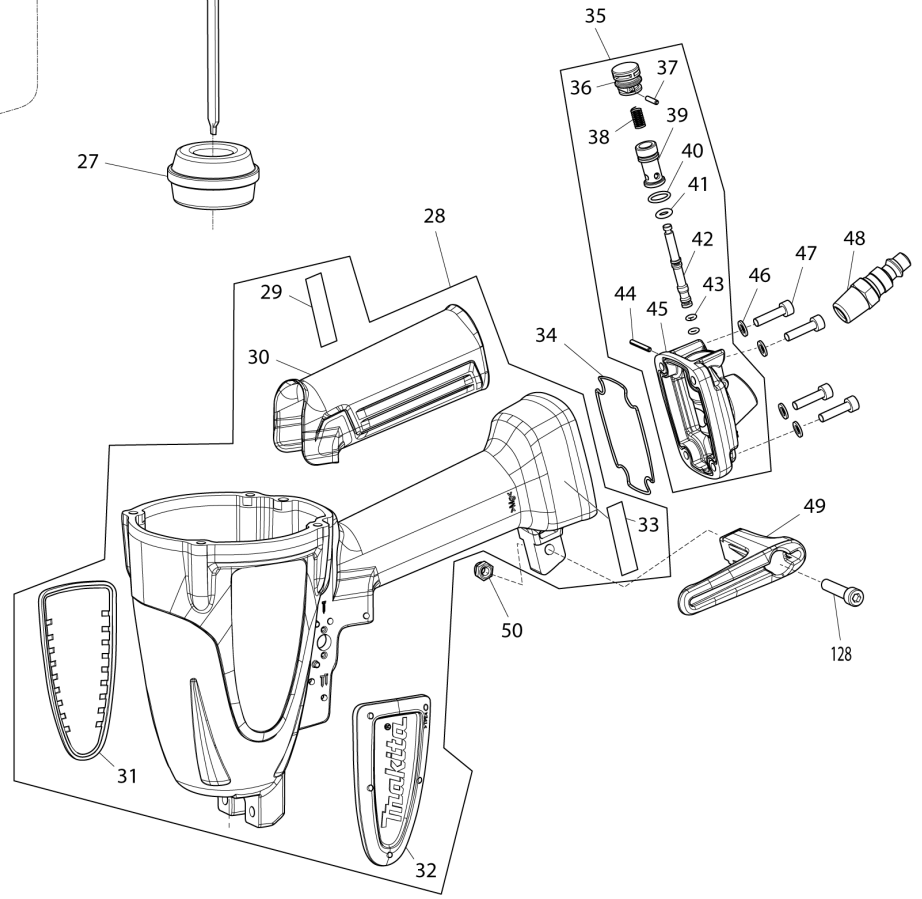
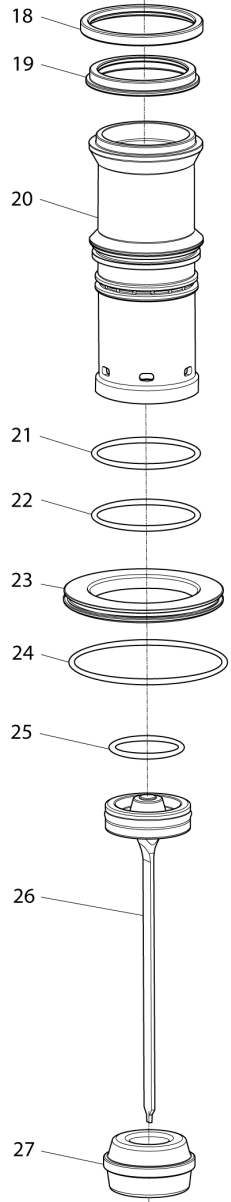
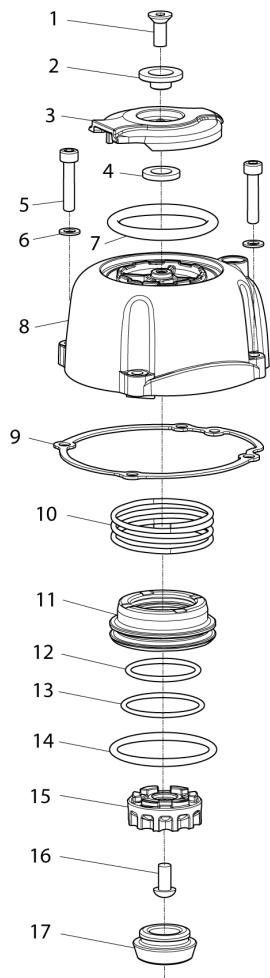
Diagram / Parts List

AF635

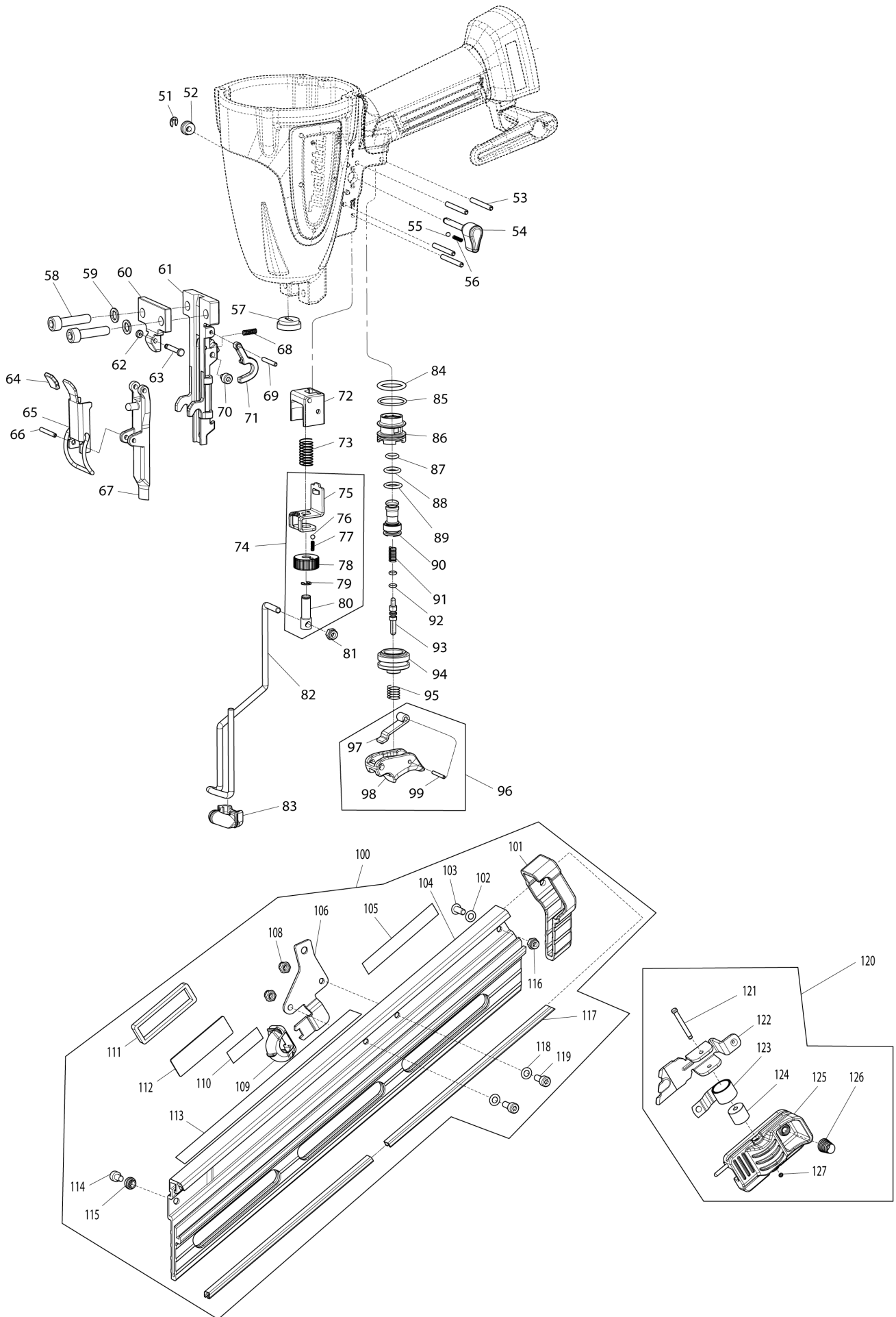
PNEUMATIC FINISH NAILER



(IN) AF635 / PNEUMATIC FINISH NAILER



(IN) AF635 / PNEUMATIC FINISH NAILER



IN

INDIA

AF635 / PNEUMATIC FINISH NAILER

Item	Sub	Parts No.	Parts Description	Qty	I/C	E/C No.	Close No.	Remark
001		HY00000655	HEX.SOCKETC.S.HEADSCREWM6X20	1				
002		HY00000522	SLEEVE6	1				
003		HY00000454	EXHAUSTCOVER	1				
004		HY00000627	RUBBERRING10	1				
005-1		HY00000075	HEX.SOCKET HEAD BOLT M5X30	4				
006		HY00000160	FLAT WASHER 5	4				
007		HY00000523	FILTER	1				
008		HY00000450	TOPCAP	1				
009		HY00000449	TOPCAPGASCKET	1				
010		HY00000456	COMPRESSIONSPRING44	1				
011		HY00000453	HEADVALVE	1				
012		HY00000409	ORING30.5	1				
013-1		HY00000020	O-RING 36	1				
014-1		HY00000141	O-RING 45	1				
015		HY00000455	HEADVALVEGUIDE	1				
016		HY00000677	HEX.SOCKETBUTTONHEADSCREWM6	1				
017		HY00000517	REARCUSHION	1				
018		HY00000451	VALVESHEETGUIDE	1				
019		HY00000452	VALVESHEET	1				
020		HY00000601	CYLINDER	1				
021		HY00000405	ORING47	1			Y07885	
021-1		HY00000405	ORING47	1	O	Y07885		
022		HY00000402	ORING44	1				
023		HY00000448	CYLINDERSEPARATER	1				
024		HY00000412	ORING72	1				
025		HY00000139	O-RING 35	1				
026		HY00000550	DRIVERCOMPLETE	1				
027		HY00000457	FRONTCUSHION	1				
028		HY00000718	HOUSINGCOMPLETE	1				
	D10		INC. 29-33					
029		HY00000719	NAMEPLATE	1				
030		HY00000557	GRIP	1				
031		HY00000427	HOUSINGBUMPERR	1				
032		HY00000426	HOUSINGBUMPERL	1				
033		HY00000105	CAUTION LABEL	1				
034		HY00000580	SEALRING	1				
035		HY00000713	BLOWERCOMPLETE	1				
	D10		INC. 36-45					
036		HY00000573	DUSTERBUTTON	1				
037		HY00000046	PIN 2-10	1				
038		HY00000591	COMPRESSIONSPRING5	1				
039		HY00000599	VALVEGUIDE	1				
040		HY00000399	ORING8.5	1				
041		HY00000397	ORING5	1				
042		HY00000513	VALVESTEM	1				
043-1		HY00000037	O-RING 3	2				
044		HY00000054	SPRING PIN 2.5-18	1				
045		HY00000714	INLETAP	1				
046-1		HY00000070	FLAT WASHER4	4				
047		HY00000530	HEX.SOCKETHEADBOLTM4X20	4				
048		HY00000082	ONE TOUCH JOINT	1				
049		HY00000569	HOOK	1				
050		HY00000528	HEX.LOCKNUTM5	1				
051		HY00000659	STOP RING E-3	2				
052		HY00000520	SLEEVE4	1				
053		HY00000165	SPRING PIN 3-28	4				
054		HY00000518	LEVER4	1				
055-1		HY00000526	STEELBALL3	1				
056		HY00000590	COMPRESSIONSPRING2	1				
057		HY00000023	FRONT SEAL	1				
058		HY00000652	HEX.SOCKETHEADBOLTM6X30	2				
059		HY00000163	SPRING WASHER 6	2				
060		HY00000464	PLATE	1				
061		HY00000605	DRIVERGUIDE	1				
062		HY00000043	RUBBER RING 2	1				

A:

Interchange

O : Yes

X : No

< : the new part can be substituted for the current.

> : the current part can be substituted for the new.

S : Interchangeable as a set.

AF635 / PNEUMATIC FINISH NAILER

Item	Sub	Parts No.	Parts Description	Qty	I/C	E/C No.	Close No.	Remark
063		HY00000461	PIN3	1				
064		HY00000051	CAP	1				
065		HY00000462	LATCH	1				
066		HY00000678	ROLLPIN3-20	1				
067		HY00000463	DOOR	1				
068		HY00000469	COMPRESSIONSPRING3	1				
069		HY00000658	SPRINGPIN2.5-12	1				
070		HY00000649	HEX.SOCKETHEADBOLTM4X4	1				
071		HY00000467	STOPPER	1				
072		HY00000505	HOLDER	1				
073		HY00000607	COMPRESSIONSPRING8	1				
074		HY00000440	UPPERYOKECOMPLETE	1				
	D10		INC. 75-80					
075		HY00000443	UPPERYOKE	1				
076-1		HY00000526	STEELBALL3	1				
077		HY00000470	COMPRESSIONSPRING2	1				
078		HY00000608	ADJUSTERDIAL	1				
079-1		HY00000659	STOP RING E-3	1				
080		HY00000609	ADJUSTERSHAFT	1				
081-1		HY00000159	HEX. LOCK NUT M4	1				
082		HY00000442	CONTACTARM	1				
083-1		HY00000422	NOSE ADAPTER	1				
084		HY00000135	O-RING 15	1				
085		HY00000137	O-RING 17	1				
086		HY00000446	TRIGGERVALVEGUIDE	1				
087		HY00000131	O-RING 6	1				
088		HY00000132	O-RING 7	1				
089		HY00000134	O-RING 9	1				
090		HY00000182	PILOT VALVE	1				
091		HY00000146	COMPRESSION SPRING 4	1				
092-1		HY00000037	O-RING 3	2				
093		HY00000514	TRIGGERVALVESTEM	1				
094		HY00000447	TRIGGERVALVECASE	1				
095-1		HY00000705	COMPRESSION SPRING 10	1				
096		HY00000433	TRIGGERCOMPLETE	1				
	D10		INC. 97-99					
097		HY00000437	IDLER	1				
098		HY00000436	TRIGGER	1				
099		HY00000042	SPRING PIN 2.5-16	1				
100		HY00000710	MAGAZINECOMPLETE	1				
	D10		INC. 101-106,108-119					
101		HY00000466	MAGAZINECAP	1				
102-1		HY00000070	FLAT WASHER4	1				
103		HY00000654	BUTTON BOLT M4X10	1				
104		HY00000481	MAGAZINE	1				
105		HY00000711	CAUTIONLABEL	1				
106		HY00000541	JOINT	1				
108-1		HY00000159	HEX. LOCK NUT M4	2				
109-1		HY00000422	NOSE ADAPTER	1				
110		HY00000712	CAUTIONLABEL	1				
111		HY00000574	CASE	1				
112		HY00000576	DOUBLESIDETAPE	1				
114		HY00000074	HEX.SOCKET HEAD BOLT M4X8	1				
115		HY00000633	BUSH	1				
116-1		HY00000159	HEX. LOCK NUT M4	1				
117		HY00000458	MAGAZINERAIL	2				
118-1		HY00000070	FLAT WASHER4	2				
119		HY00000001	HEX.SOCKET HEAD BOLT M4X10	2				
120		HY00000487	PUSHERBASECOMPLETE	1				
	D10		INC. 121-127					
121		HY00000637	PIN3	1				
122		HY00000468	PUSHER	1				
123		HY00000460	SPIRALSPRING	1				
124		HY00000459	SPRINGHOLDER	1				
125		HY00000465	PUSHERLEVER	1				

A:

Interchange
O : Yes
X : No
< : the new part can be substituted for the current.
> : the current part can be substituted for the new.
S : Interchangeable as a set.

