



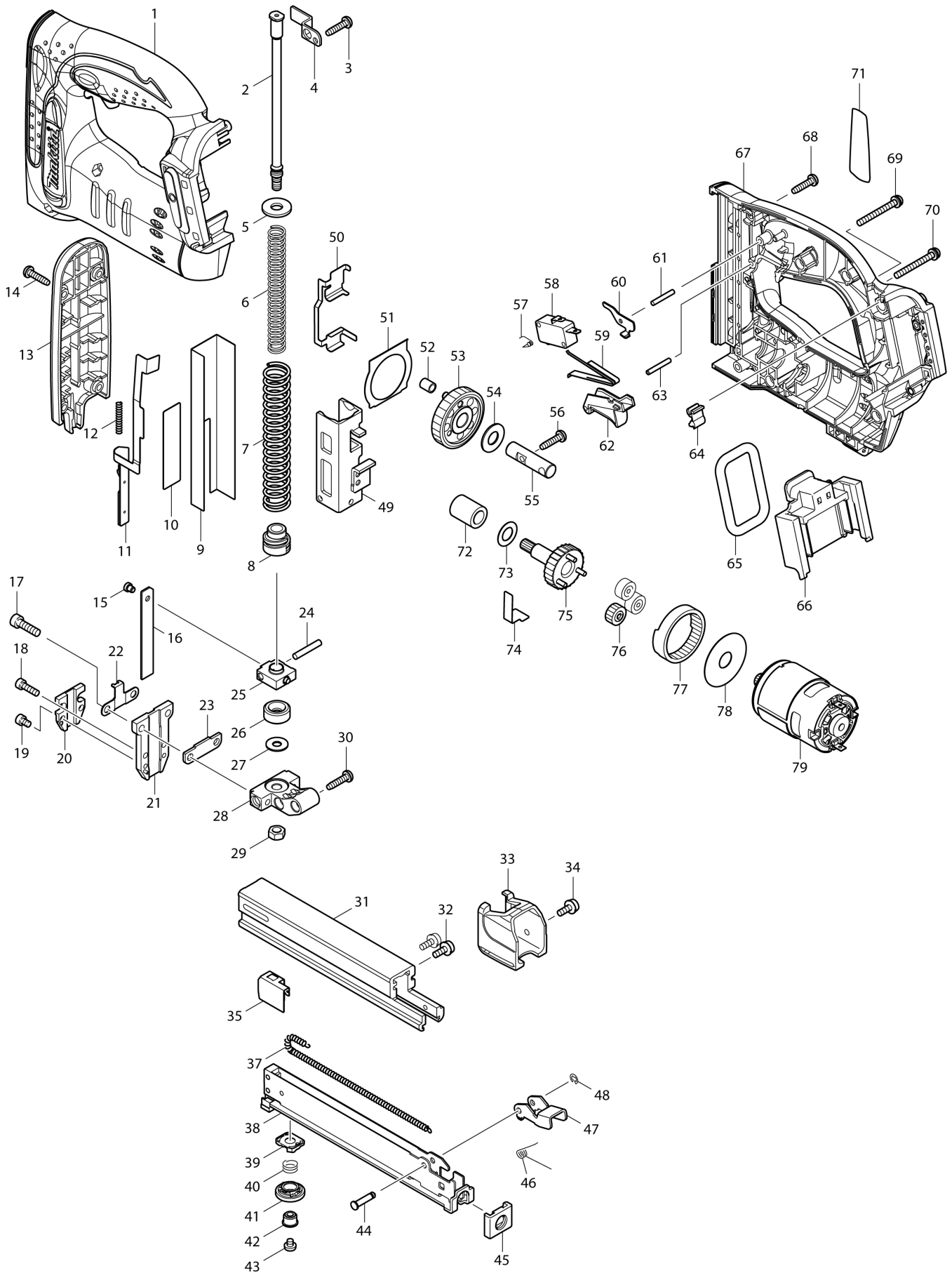
# Diagram / Parts List

**DST221**

**CORDLESS STAPLER**



(IN) DST221 / CORDLESS STAPLER



<b>IN</b>	<b>INDIA</b>
-----------	--------------

### DST221 / CORDLESS STAPLER

Item	Sub	Parts No.	Parts Description	Qty	I/C	E/C No.	Close No.	Remark
001		187938-7	HOUSING SET	1				
	C10	263005-3	RUBBER PIN 6	2				
	D10		INC. 67					
002		325635-9	GUIDE BOLT	1				
003		265995-6	TAPPING SCREW 4X18	1				
004		345907-6	FIX PLATE	1				
005		253762-1	FLAT WASHER 8	1				
006		234060-2	COMPRESSION SPRING 9	1				
007		234101-4	COMPRESSION SPRING 13	1				
008		424135-7	SPRING HOLDER	1				
009		345978-3	GUIDE PLATE	1				
010		345906-8	UPPER PLATE	1				
011-1		161468-6	SAFETY LEVER	1				
012		234078-3	COMPRESSION SPRING 4	1				
013		450539-7	FRONT COVER	1				
014		265995-6	TAPPING SCREW 4X18	4				
015		268157-5	PIN 4	1				
016		345996-1	DRIVER	1				
017		922227-1	HEX. SOCKET HEAD BOLT M5X18	2				
018		266201-2	HEX.SOCKET HEAD BOLT M4X14	2				
019		266199-3	HEX.SOCKET HEAD BOLT M4X6	2				
020-1		456800-0	SAEFTY LEVER GUIDE	1				
021		158759-4	DRIVER GUIDE COMPLETE	1				
022		345910-7	SPRING BASE	1				
023		344670-8	SET PLATE	1				
024		256206-0	PIN 4	1				
025		313150-5	DRIVER LOCK	1				
026		424099-5	CUSHION	1				
027		253804-1	FLAT WASHER 6	1				
028		318267-9	HOLDER	1				
029		931302-2	HEX. NUT M6	1				
030		265995-6	TAPPING SCREW 4X18	1				
031		331842-4	MAIN MAGAZINE	1				
032		911113-1	PAN HEAD SCREW M4X10 WITH WR	2				
033		450540-2	END CAP	1				
034		911113-1	PAN HEAD SCREW M4X10 WITH WR	1				
035		345997-9	PUSHER	1				
037		231854-6	TENSION SPRING 3	1				
038		165532-5	SUB MAGAZINE	1				
039		450775-5	ADJUSTER BASE	1				
040		231323-7	COMPRESSION SPRING 9	1				
041		450702-2	ADJUSTER	1				
042		450774-7	LOCK SLEEVE	1				
043		265127-5	+ PAN HEAD SCREW M4X4	1				
044		268029-4	PIN 4	1				
045		421637-4	MAGAZINE END	1				
046		233528-5	TORSION SPRING 5	1				
047		345861-4	LEVER	1				
048		961017-7	STOP RING E-3	1				
049		165506-6	HAMMER	1				
050		345914-9	SLIDE PLATE	1				
051		343629-2	PLATE	1				
052		257772-0	SLEEVE 5	1				
053		158646-7	SPUR GEAR 55 COMPLETE	1				
054		253171-4	FLAT WASHER 10	1				
055		324947-7	PIN 10	1				
056		265995-6	TAPPING SCREW 4X18	1				
057		233531-6	TORSION SPRING 3	1				
058		651891-8	SWITCH V-15-3A6	1				
059		232240-4	LEAF SPRING	1				
060		345908-4	RELEASE PLATE	1				
061		256221-4	PIN 3	1				
062		450536-3	TRIGGER	1				
063		256221-4	PIN 3	1				
064		424026-2	CUSHION	1				

A:DST221Z(N)

Interchange  
 O : Yes  
 X : No  
 < : the new part can be substituted for the current.  
 > : the current part can be substituted for the new.  
 S : Interchangeable as a set.

