



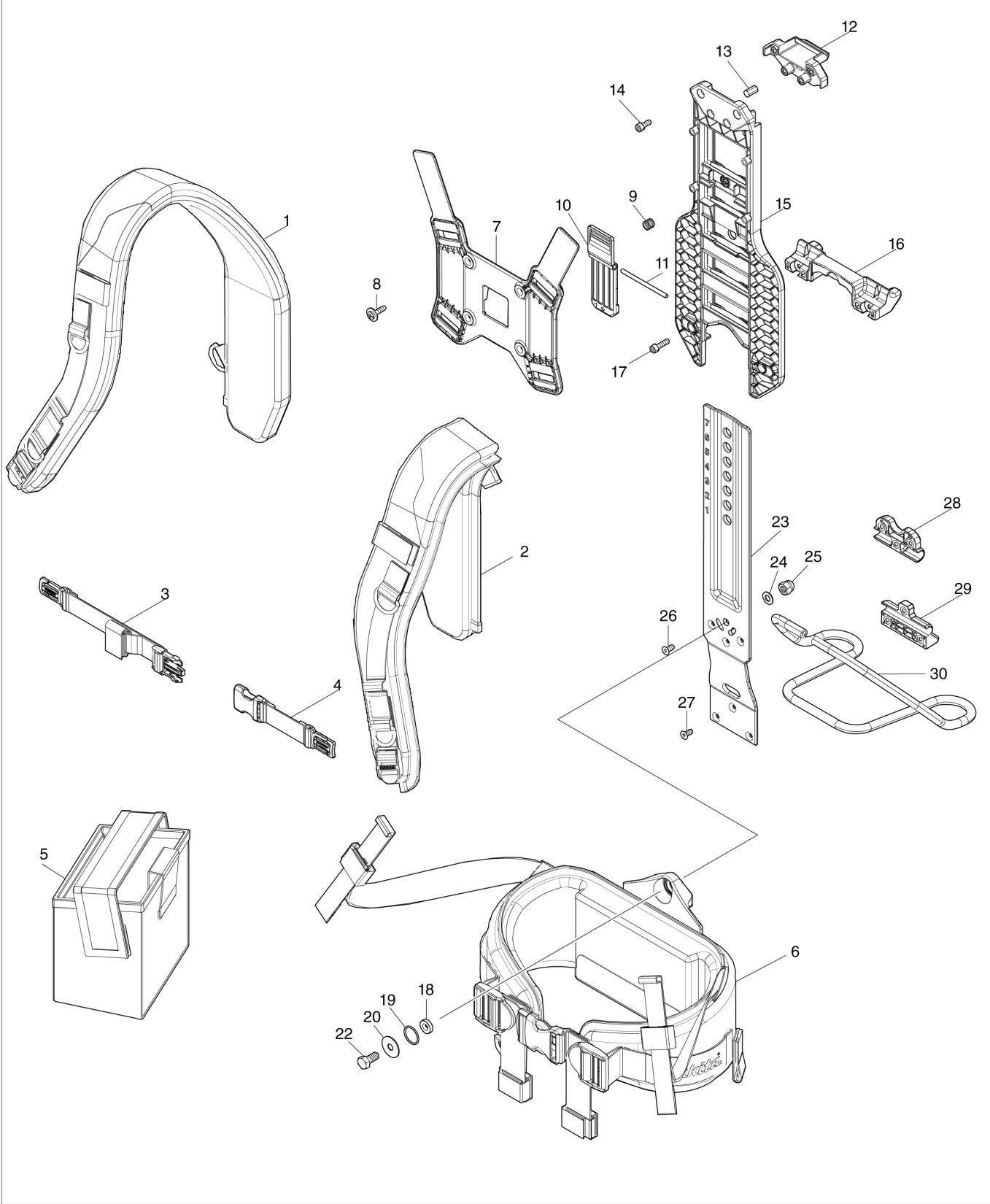
Diagram / Parts List

PDC1500

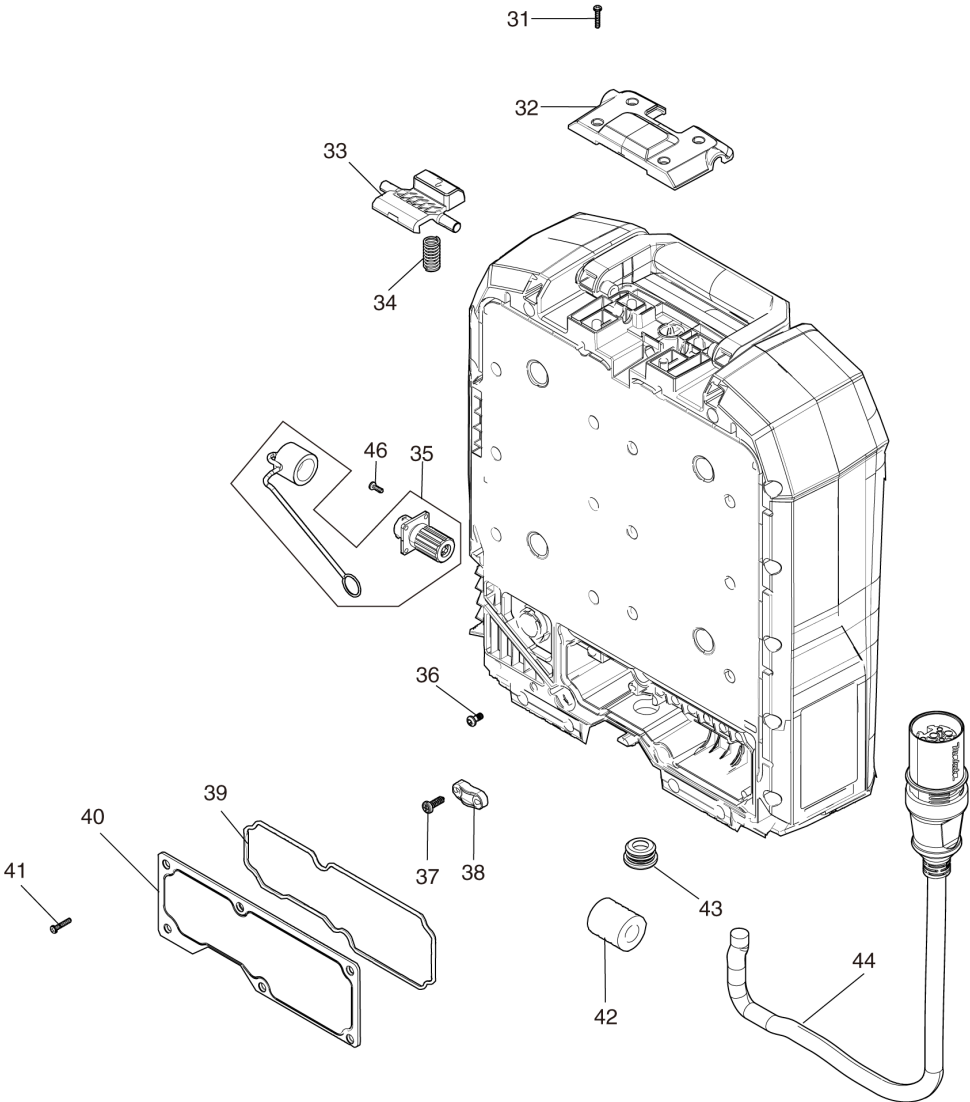
PORTABLE POWER PACK



(IN) PDC1500 / PORTABLE POWER PACK



(IN) PDC1500 / PORTABLE POWER PACK



IN	INDIA
----	-------

PDC1500 / PORTABLE POWER PACK

Item	Sub	Parts No.	Parts Description	Qty	I/C	E/C No.	Close No.	Remark
001		162C61-7	BAND R	1				
002		162C62-5	BAND L	1				
003		162C84-5	BELT 25R	1				
004		162C85-3	BELT 25L	1				
005		162C64-1	POCKET	1				
006		162C63-3	WAIST BELT	1				
	C10	413S92-8	ANGLE PLATE	1				
007		413S91-0	BACK PLATE	1				
008		265C05-7	TAPPING SCREW FRANGE 5X20	4				
009		232447-2	COMPRESSION SPRING 8	1				
010		413S95-2	LOCK LEVER	1				
011		256A44-6	ROD 4	1				
012		312E43-3	TOP HOLDER	1				
013		263045-1	RUBBER PIN 8	2			Y09367	
014		922216-6	H.S.H.BOLT M5X14 WITH W	4				
015		141R95-3	HARNESS PLATE COMPLETE	1			Y09367	
015-1		137125-8	HARNESS PLATE ASSEMBLY	1	X	Y09367	DT162	
	C10	263045-1	RUBBER PIN 8	2		Y09367	DT162	
015-2		137153-3	HARNESS PLATE ASSEMBLY	1	S	DT162		
	C10	263045-1	RUBBER PIN 8	2		DT162		
016		312E44-1	BOTTOM HOLDER	1				
017		922231-0	HEX. SOCKET HEAD BOLT M5X20	2				
018		257A14-8	RING 8	1				
019		213310-8	O RING 20	1				
020		253431-4	FLAT WASHER 8	1				
022		921427-0	HEX.BOLT M8X18	1				
023		347B57-5	STAND PLATE	1				
024		253165-9	FLAT WASHER 8	1				
025		252278-3	HEX. CAP NUT M8	1				
026		912212-2	COUNTERSUNK HEAD SCREW M5X12	3				
027		912212-2	COUNTERSUNK HEAD SCREW M5X12	3				
028		413S93-6	STAND HOLDER U	1				
029		413S94-4	STAND HOLDER L	1				
030		327C17-9	STAND	1			DT162	
030-1		327D98-9	STAND	1	S	DT162		
031		NC00000001	TAPPING SCREW 3X15	4				
032		NC00000002	CASE LEVER COVER	1				
033		NC00000023	LOCK BUTTON	1				
034		NC00000004	COMPRESSION SPRING	1				
035		NC00000025	CHARGE CONNECTOR	1				
036		NC00000007	SCREW M4X8	7				
037		NC00000011	TAPPING SCREW 4X14	2				
038		NC00000006	CORD CLAMP	1				
039		NC00000022	O-RING-AS(SEAL A)	1				
040		NC00000024	CASE AS COVER	1				
041		NC00000001	TAPPING SCREW 3X15	6				
042		688233-3	LINE FILTER	1				
043		NC00000010	GROMMET	1				
044		699229-9	POWER SUPPLY CORD UNIT	1				
045		1913P9-4	HARNESS ASSEMBLY SET	1			Y09364	
	D10		INC. 1-30				Y09364	
045-1		122E92-0	HARNESS ASSEMBLY	1	<	Y09364		
	D10		INC. 1-30			Y09364		
046		NC00000015	TAPPING SCREW T10 3X8.5	4				
A01		***DC4001	CHARGER	1				
	D10		COMPO-PARTS					
A02		667238-6	POWER SUPPLY CORD E	1				

A:PDC1500A01(N)

Interchange
 O : Yes
 X : No
 < : the new part can be substituted for the current.
 > : the current part can be substituted for the new.
 S : Interchangeable as a set.