



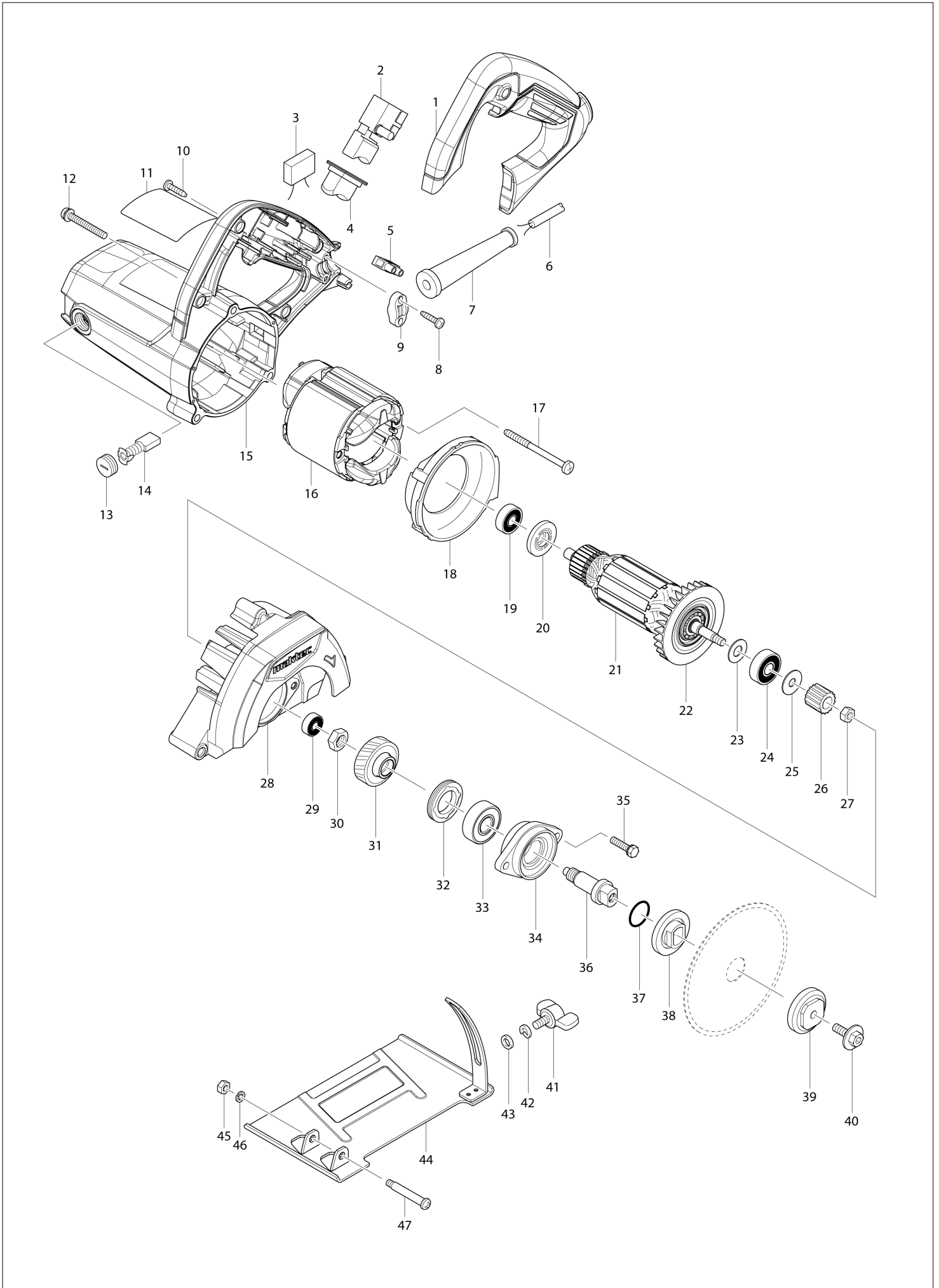
Diagram / Parts List

MT413

110MM CUTTER



(IN) MT413 / 110MM CUTTER



MT413 / 110MM CUTTER

Item	Sub	Parts No.	Parts Description	Qty	I/C	E/C No.	Close No.	Remark
001		454195-5	HANDLE COVER	1				
002		650217-1	SWITCH FA1-6/1B-1	1				
004		421812-2	DUST COVER	1				
006		666053-5	POWER SUPPLY CORD 1.0-2-2.0	1				
007		682503-2	CORD GUARD 8-90	1				
008		266326-2	TAPPING SCREW 4X18	2				
009		687123-7	STRAIN RELIEF	1				
010		266326-2	TAPPING SCREW 4X18	4				
011		814P07-4	MT413 NAME PLATE	1				
012		265104-7	PAN HEAD SCREW M5X40	3				
013		644500-6	HOLDER CAP 7X11	2			D0610	
013-1		643750-0	BRUSH HOLDER CAP 7-11	2	O	D0610		
014		191963-2	CARBON BRUSH CB-303	1			Y09322	
014-1		194996-6	CARBON BRUSH SET CB-303	1	O	Y09322		
015		142139-4	MOTOR HOUSING COMPLETE	1				
	C10	644501-4	BRUSH HOLDER 5X11	2				
016		594619-0	FIELD ASS'Y 240V	1			B3426	
	C10	654020-2	RING TERMINAL	2			B3426	
	C20	654501-6	CONNECTOR P-1.25	2			B3426	
016-1		593969-0	FIELD ASS'Y 240V	1	O	B3426		
	C10	654020-2	RING TERMINAL	2		B3426		
	C20	654501-6	CONNECTOR P-1.25	2		B3426	B6826	
	C21	654485-8	PARALLEL SPLICE	2	>	B6826		
017		266352-1	TAPPING SCREW 5X65	2				
018		417810-2	BAFFLE PLATE	1				
019		210046-0	BALL BEARING 608ZZ	1				
020		681644-1	INSULATION WASHER	1				
021		513874-5	ARMATURE ASS'Y 240V	1				
	D10		INC. 19,20,22-24					
022		240053-9	FAN 65	1				
023		267237-4	FLAT WASHER 9	1				
024		210125-4	BALL BEARING 629DDW	1				
025		267239-0	FLAT WASHER 7	1				
026		226552-5	HELICAL GEAR 15	1				
027		252186-8	HEX. NUT M6	1				
028		142137-8	BLADE CASE COMPLETE	1				
	C10	263002-9	RUBBER PIN 4	1				
029		210137-7	BALL BEARING 606ZZ	1				
030		252170-3	HEX. NUT M10-17	1				
031		227767-7	HELICAL GEAR 34	1				
032		285840-9	BEARING RETAINER 19-33	1				
033		211145-1	BALL BEARING 6201ZZ	1				
034		317550-1	BEARING BOX	1				
035		265497-2	+ HEX. BOLT M5X20	2				
036		324221-3	SPINDLE	1				
037		213279-6	O RING 18	1				
038		224080-4	INNER FLANGE 36	1				
039		224081-2	OUTER FLANGE 36	1				
040		266510-9	HEX. SOCKET HEX. BOLT M6X18	1				
041		265754-8	THUMB SCREW M6X12	1				
042		942151-2	SPRING WASHER 6	1			C3118	
042-1		253428-3	SPRING WASHER 6	1	O	C3118	D1189	
043		941151-9	FLAT WASHER 6	1				
044		165711-5	BASE	1				
045		252137-1	HEX. NUT M5-8	1				
046		942101-7	SPRING WASHER 5	1			C3118	
046-1		253427-5	SPRING WASHER 5	1	O	C3118		
047		265056-2	+ PAN HEAD SCREW M5	1				
A01		781041-2	WRENCH 22	1				
A02		783217-7	HEX. WRENCH 5	1				
A03		265099-4	PAN HEAD SCREW M4X14	1				
A04		346634-8	TUBE HOLDER	1				
A05		412088-2	VINYL TUBE 5	1				
A:MT413(H)						Interchange O : Yes X : No < : the new part can be substituted for the current. > : the current part can be substituted for the new. S : Interchangeable as a set.		