

Makita[®]

new

Portable Band Saw

2107F



**Large 4-3/4" x 4-3/4" Capacity
with Excellent Tool Balance.**

Increased Rigidity

Bridge construction of Aluminum frame and Motor housing makes the machine more durable.



Built-in Fluorescent Job Light

For clear view of ink line even in dark places. Switch for Fluorescent Job Light is independent of main switch.



Preset Dial for Speed Adjustment

Enables you to obtain suitable strokes per minutes for each cutting material.



Adjustable Stopper Plate

Retractable when cutting pipes near the wall or the floor, increasing maneuverability.



SPECIFICATIONS

Continuous rating Input Capacity	710 W
Capacity	Round workpiece : 120 mm (4-3/4") dia Rectangular workpiece without stand : 120 mm x 120 mm (4-3/4" x 4-3/4")
Blade speed	60 m (200 ft.) / min. - 105 m (350 ft.) / min.
Overall length	508 mm (20")
Net weight	5.7 kg (12.6 lbs)
Power supply cord	2.5 m (8.2 ft.)



Specifications may differ from country to country.

STANDARD EQUIPMENT

	Part No.
Carbon steel band saw blade (18 teeth per inch) 1 pc	*792559-8
Hex. wrench	783202-0

Items of standard equipment may differ from country to country. * 3pcs/set part No.

OPTIONAL ACCESSORIES

Band saw blade

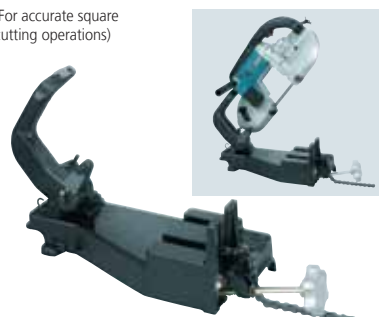
Width : 13 mm
Thickness : 0.5 mm
Length : 1,140 mm



Kind of blade	Thickness of work-piece to be cut	No. of teeth per inch	Application	Part No.
Carbon steel (3pcs./set)	More than 5 mm	6	Wood	792567-9
	4 mm-5 mm	14	Plastics non-ferrous metal	792560-3
	4 mm-5 mm	18	Mild steel, cast steel	792559-8
	Less than 4 mm	24	cast iron	792558-0
Highspeed steel (1pc./set)	4 mm-5 mm	14	Plastics, non-ferrous metal	792557-2
	4 mm-5 mm	18	Mild steel, cast steel	792556-4
	Less than 4 mm	24	cast iron, Hard steel stainless steel	792555-6

Portable band saw stand

(For accurate square cutting operations)



Part No. 194026-3

Cover



Part No. 194070-0

Portable band saw stand and Cover set

Part No. 194069-5



Makita Power Tools India Pvt. Ltd.

Unit II Sy. Nos. 93/3 & 93/4, Koralur village, Kasaba Hobli, Hoskote Taluk, Bangalore - 560 067, INDIA. Tel: +91 80 2854 9008, Fax: +91 80 2854 9007
Email: sales@makita.in Website: www.makita.in