



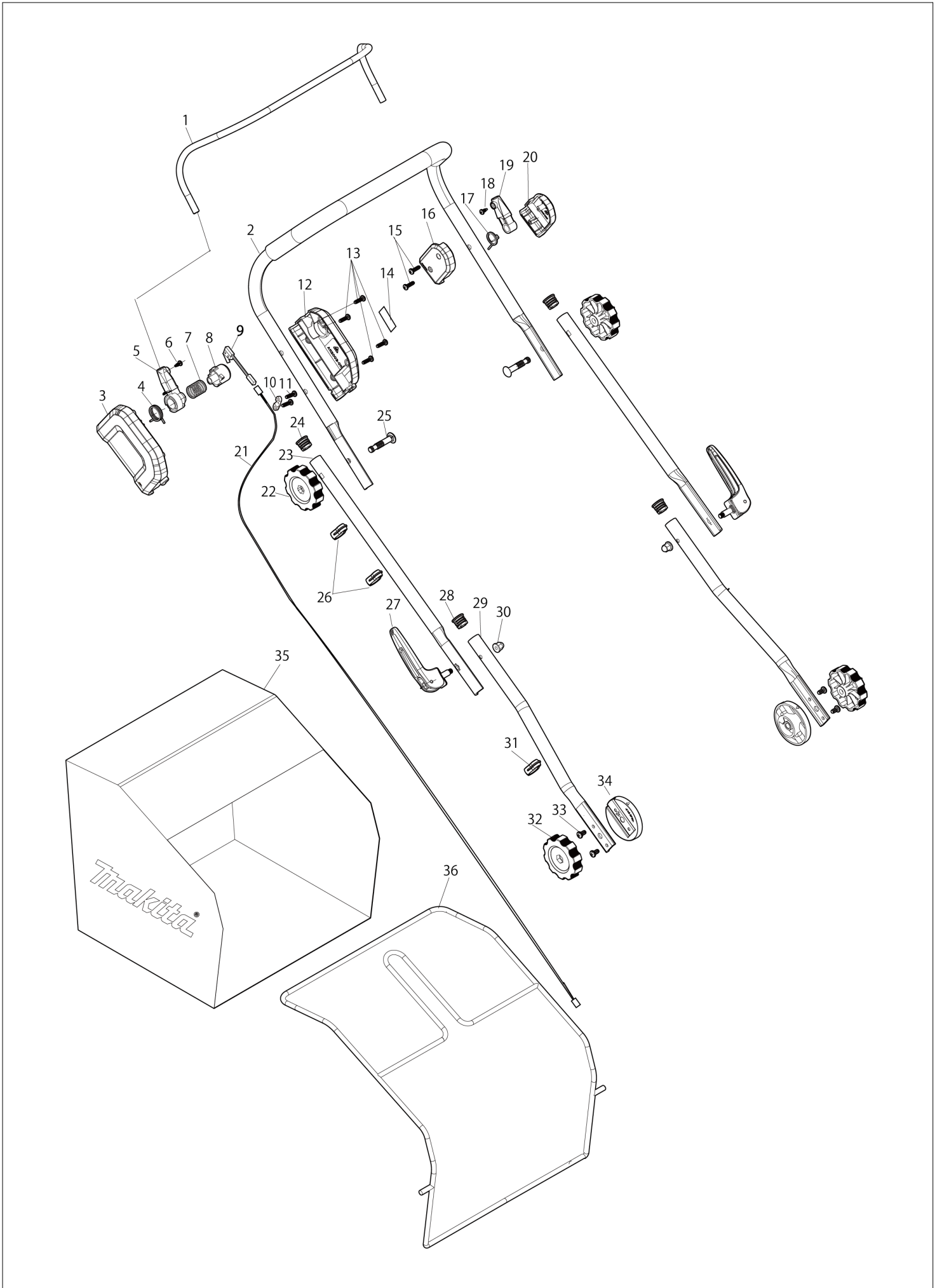
# Diagram / Parts List

**DUV320**

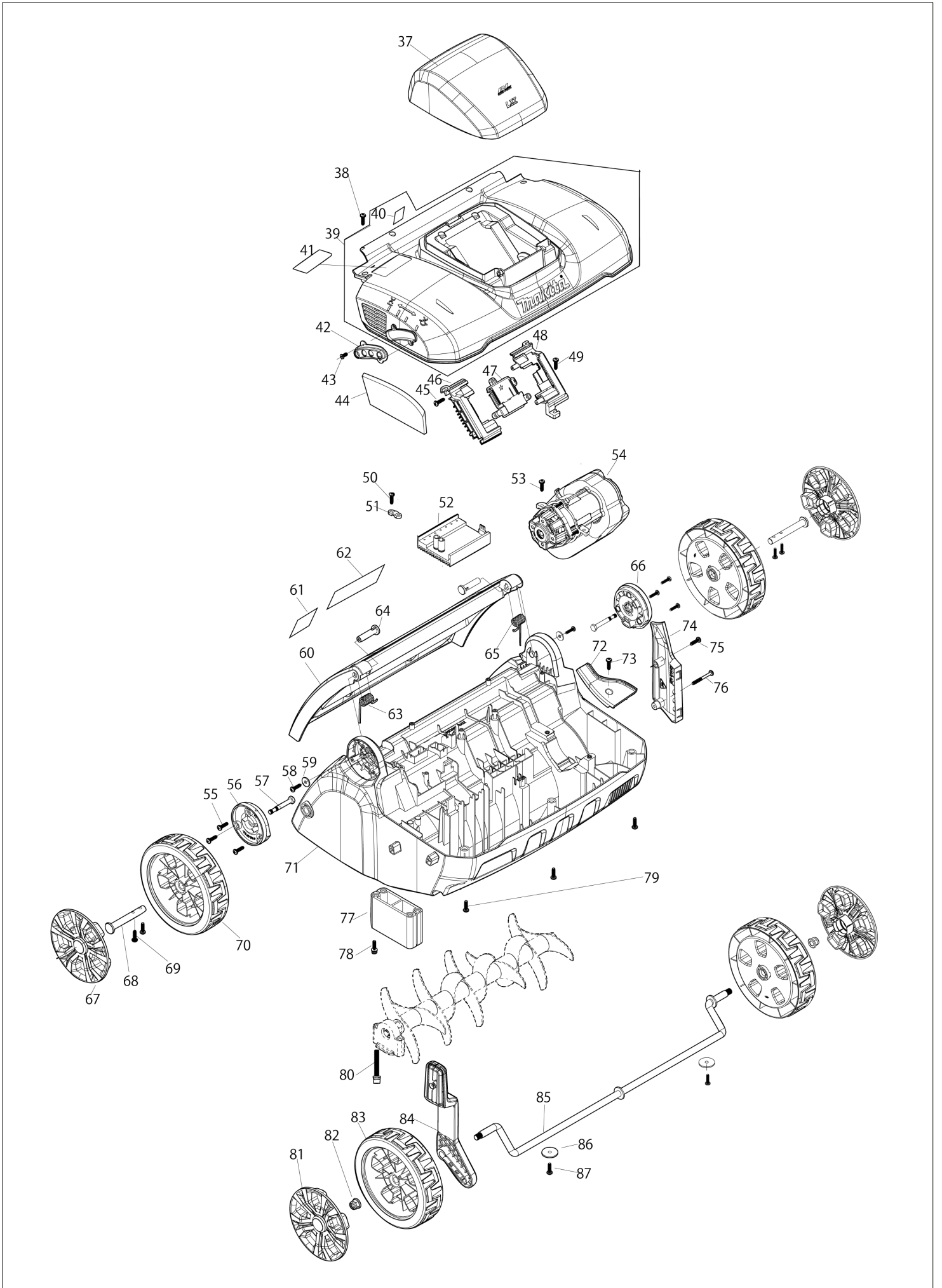
**320MM CORDLESS SCARIFIER**



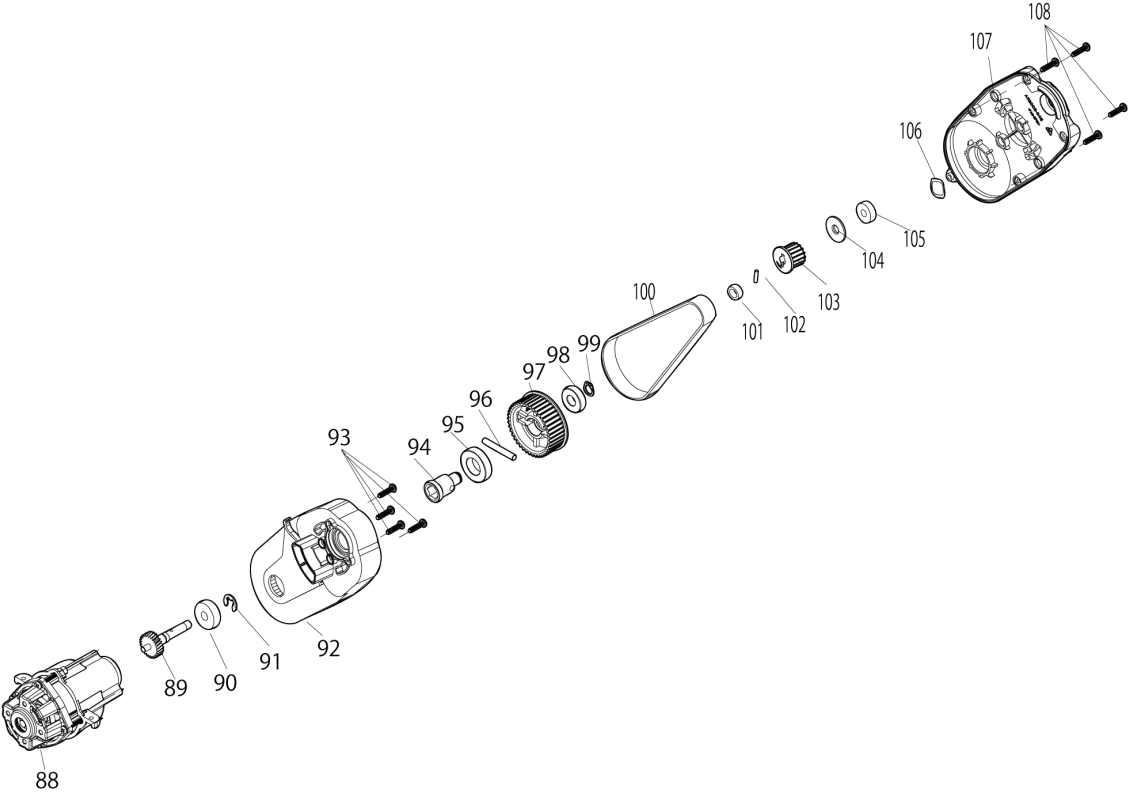
(IN) DUV320 / 320MM CORDLESS SCARIFIER



(IN) DUV320 / 320MM CORDLESS SCARIFIER



(IN) DUV320 / 320MM CORDLESS SCARIFIER



## DUV320 / 320MM CORDLESS SCARIFIER

Item	Sub	Parts No.	Parts Description	Qty	I/C	E/C No.	Close No.	Remark
001		YA00001369	SWITCH LEVER	1				
002		YA00001370	UPPER HANDLE	1				
003		YA00001374	SWITCH BOX RIGHT SIDE	1				
004		YA00001364	SWITCH TORSION SPRING	1				
005		YA00001379	SWITCH LEVER END CAP RIGHT	1				
006		YA00001350	TEX SCREW 3.5X10	1				
007		YA00001335	SWITCH SPRING	1				
008		YA00001373	SWITCH BUTTON	1				
009		YA00001391	SWITCH UNIT	1				
010		652023982	CORD CLAMP	1				
011		YA00001354	TAPPING SCREW 4X16	2				
012		YA00001365	SWITCH BOX LEFT SIDE	1				
013		YA00001354	TAPPING SCREW 4X16	4				
014		YA00001321	OPERATIONAL INSTRUCTION LABEL	1				
015		YA00001354	TAPPING SCREW 4X16	2				
016		YA00001368	SPRING BOX RIGHT	1				
017		YA00001336	TORSION SPRING FOR SPRING BOX	1				
018		YA00001350	TEX SCREW 3.5X10	1				
019		YA00001371	SWITCH LEVER END CAP LEFT	1				
020		YA00001380	SPRING BOX LEFT	1				
021		YA00001395	CABTIRE CABLE ASSY AWG26-2-1.0	1				
022		YA00001318	THUMB NUT M8	2				
023		YA00001384	CENTER HANDLE	2				
024		YA00001337	END CAP	2				
025		YA00001386	SADDLE HEAD BOLT M8	2				
026		YA00001320	CORD CLIP	2				
027		YA00001410	FIXING LEVER ASSY	2				
028		YA00001337	END CAP	2				
029		YA00001385	LOWER HANDLE	2				
030		YA00001332	CAP NUT M6	2				
031		YA00001320	CORD CLIP	1				
032		YA00001318	THUMB NUT M8	2				
033		YA00001349	BIND HEAD TAPPING SCREW 5X12	4				
034		YA00001390	HANDLE ANGLE ADJUSTER PLATE	2				
035		YA00001377	GRASS CATCHER BAG	1				
036		YA00001378	GRASS CATCHER BAG FLAME	1				
037		YA00001387	BATTERY COVER	1				
038		YA00001354	TAPPING SCREW 4X16	6				
039		YA00001411	UPPER HOUSING ASSEMBLY	1				
	D10		INC. 40					
040		YA00001325	BATTERY INDICATOR LABEL	1				
041		YA00001418	NAMEPLATE VN	1				
042		YA00001397	HEIGHT ADJUSTER PLATE	1				
043		YA00001348	COUTERSUNK HEAD SCREW M4X10	2				
044		YA00001357	SPONGE SHEET	1				
045		YA00001353	BIND HEAD TAPPING SCREW 3X14	2				
046		YA00001399	BATTERY HOLDER RIGHT	1				
047		YA00001334	BATTERY TERMINAL	1				
048		YA00001400	BATTERY HOLDER LEFT	1				
049		YA00001354	TAPPING SCREW 4X16	1				
050		YA00001354	TAPPING SCREW 4X16	2				
051		652023982	CORD CLAMP	1				
052		YA00001388	CONTROL UNIT ASSY	1				
053		YA00001354	TAPPING SCREW 4X16	2				
054		YA00001408	MOTOR & BELT DRIVE ASSY	1				
	D10		INC. 88-108					
055		YA00001354	TAPPING SCREW 4X16	6				
056		YA00001358	ANGLE ADJUSTER PLATE RIGHT	1				
057		YA00001375	SPECIAL HEX BOLT M8X65	2				
058		YA00001354	TAPPING SCREW 4X16	2				
059		YA00001329	FLAT WASHER 5	2				
060		YA00001363	REA FLAP COVER	1				
062		YA00001323	WARNING LABEL	1				
063		YA00001403	TORSION SPRING RIGHT	1				
064		YA00001382	REAR FLAP COVER HINGE PIN	2				

A:  
B:

Interchange  
O : Yes  
X : No  
< : the new part can be substituted for the current.  
> : the current part can be substituted for the new.  
S : Interchangeable as a set.

