



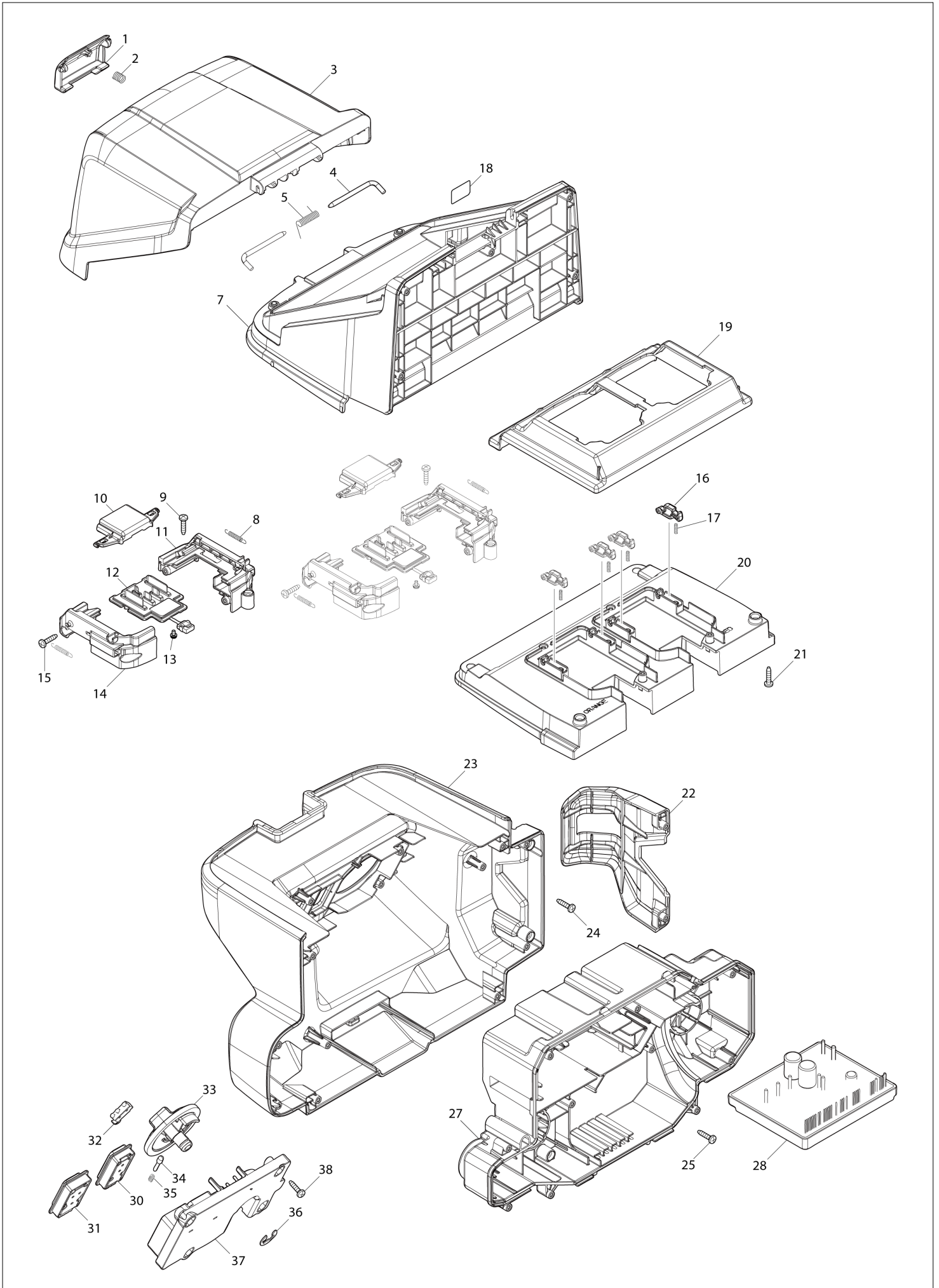
Diagram / Parts List

HW001G

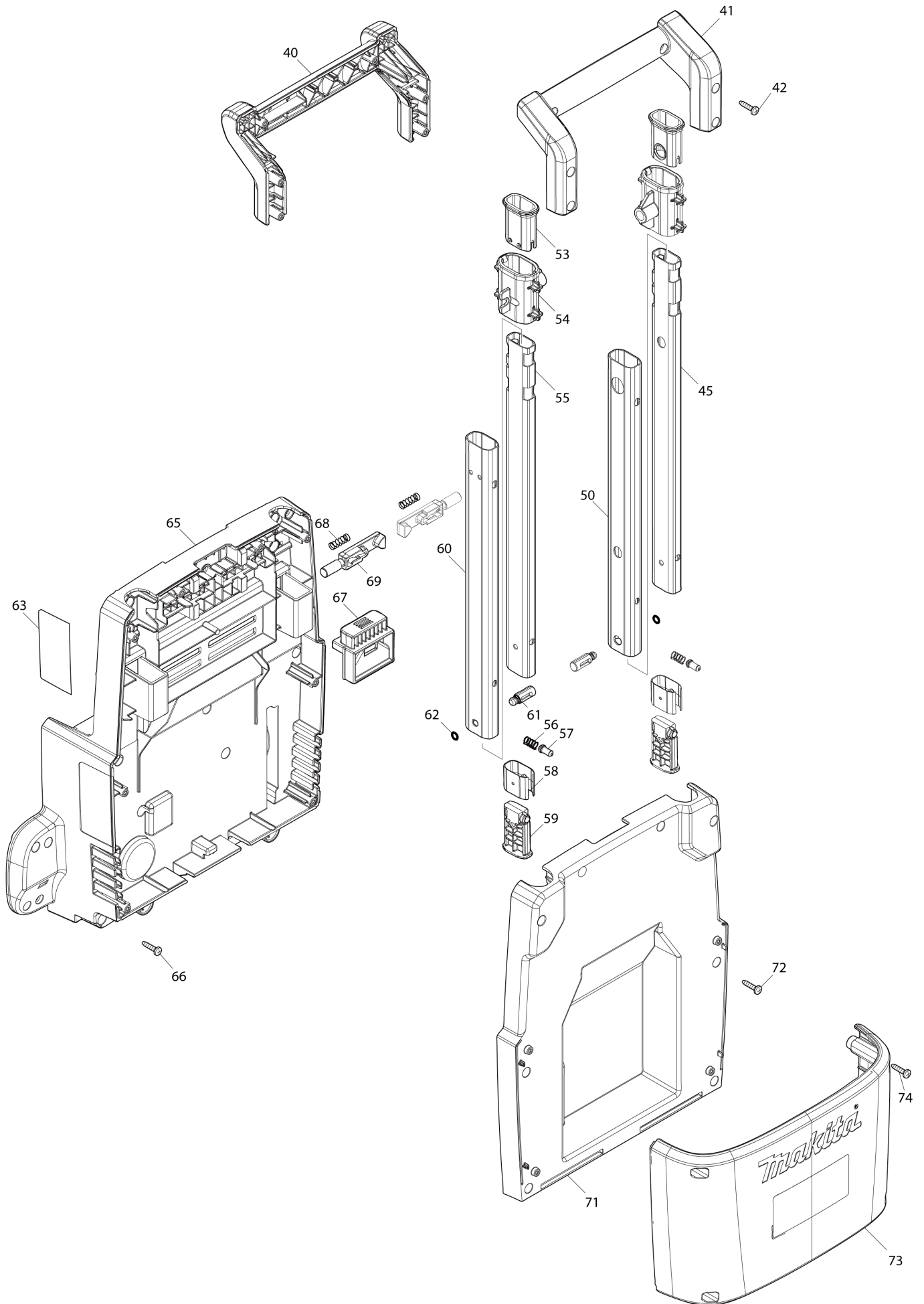
CORDLESS HIGH PRESSURE WASHER



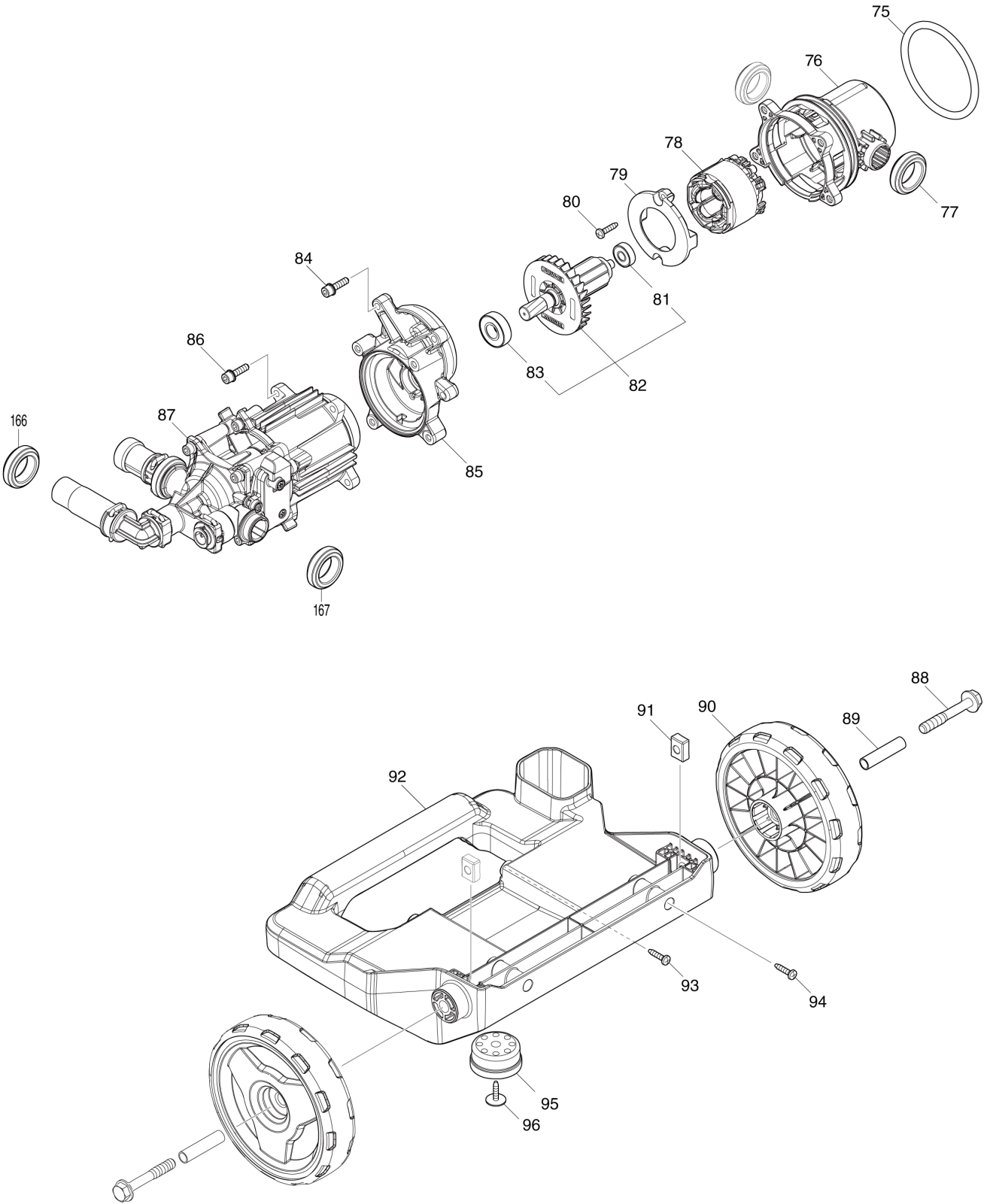
(IN) HW001G / CORDLESS HIGH PRESSURE WASHER



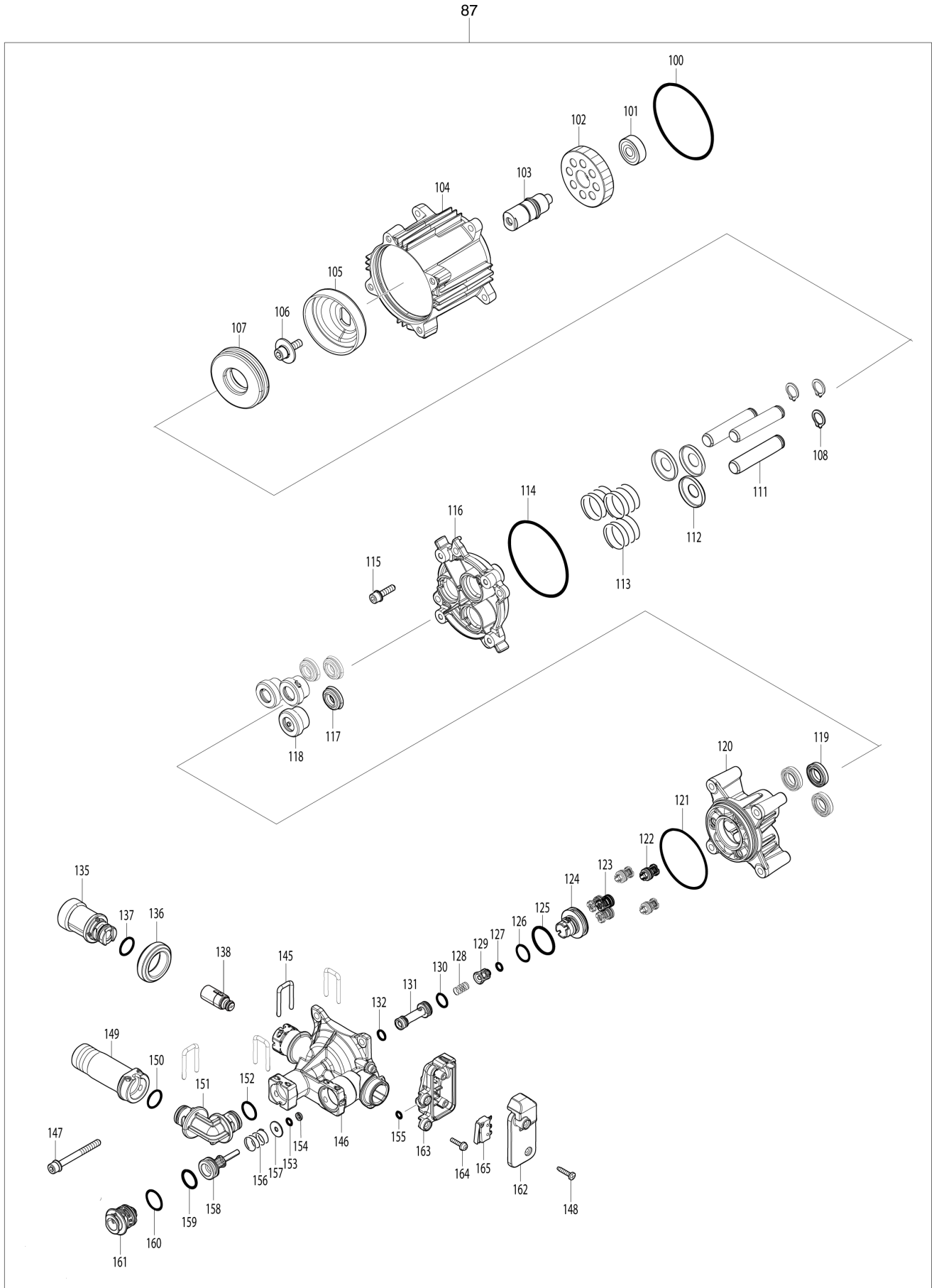
(IN) HW001G / CORDLESS HIGH PRESSURE WASHER



(IN) HW001G / CORDLESS HIGH PRESSURE WASHER



(IN) HW001G / CORDLESS HIGH PRESSURE WASHER



IN

INDIA

HW001G / CORDLESS HIGH PRESSURE WASHER

Item	Sub	Parts No.	Parts Description	Qty	I/C	E/C No.	Close No.	Remark
001		413T26-7	LOCK LEVER	1				
002		232821-4	COMPRESSION SPRING 6	1				
003		413T25-9	BATTERY BOX COVER	1				
004		327C24-2	ROD 4	2				
005		232813-3	TORSION SPRING 5	1				
007		137021-0	BATTERY BOX ASSEMBLY	1				
	C10	263005-3	RUBBER PIN 6	2				
008		232722-6	TENSION SPRING 4	4				
009		266326-2	TAPPING SCREW 4X18	4				
010		413B40-5	TERMINAL COVER	2				
011		183Y95-9	TERMINAL CASE SET	2				
	C10	263005-3	RUBBER PIN 6	4				
	D10		INC. 14					
012		632T08-2	TERMINAL UNIT	2				
013		652031-1	PAN HEAD SCREW M3X6	4				
014		183Y95-9	TERMINAL CASE SET	2				
	C10	263005-3	RUBBER PIN 6	4				
	D10		INC. 11					
015		266326-2	TAPPING SCREW 4X18	4				
016		413B41-3	LOCK LEVER	4				
017		232472-3	COMPRESSION SPRING 2	4				
018		8141C2-5	HW001G SERIAL NO. LABEL	1				
019		413T33-0	TERMINAL PLATE COVER	1				
020		413T30-6	TERMINAL PLATE	1				
021		266326-2	TAPPING SCREW 4X18	4				
022		413T29-1	ACCESSORY HOLDER S	1				
023		137026-0	FRONT HOUSING ASS'Y	1				
	C10	8071J7-1	INDICATION LABEL	1				
	C20	8025F3-0	XGT LOGO LABEL	1				
024		266326-2	TAPPING SCREW 4X18	2				
025		266326-2	TAPPING SCREW 4X18	3				
027		137019-7	INNER HOUSING ASSEMBLY	1				
	C10	263005-3	RUBBER PIN 6	1				
028		620M65-0	CONTROLLER	1				
030		620M67-6	SWITCH CIRCUIT COMPLETE	1				
	C10	539267-8	SWITCH PLATE ASS'Y	1				
	C20	266490-9	TAPPING SCREW PT 2X6	3				
031		620M68-4	INDICATION CIRCUIT COMPLETE	1				
	C10	136981-3	SWITCH PLATE ASS'Y	1				
	C20	266490-9	TAPPING SCREW PT 2X6	3				
032		632V07-6	SWITCH UNIT	1				
033		413T27-5	SWITCH DIAL 55	1				
034		413U71-8	SWITCH CAM	1				
035		232819-1	COMPRESSION SPRING 3	1				
036		961016-9	STOP RING E-10	1				
037		413T37-2	SWITCH PANEL	1				
038		266326-2	TAPPING SCREW 4X18	4				
040		1830A1-1	GRIP SET	1				
	D10		INC. 41					
041		1830A1-1	GRIP SET	1				
	D10		INC. 40					
042		266326-2	TAPPING SCREW 4X18	6				
045		327C41-2	UPPER PIPE R	1				
050		327C43-8	LOWER PIPE R	1				
053		413T20-9	UPPER STOPPER	2				
054		413T19-4	PIPE HOLDER	2				
055		327C42-0	UPPER PIPE L	1				
056		232820-6	COMPRESSION SPRING 6	2				
057		327C81-0	LOCK PIN 5	2				
058		413T22-5	UPPER PIPE STOPPER	2				
059		413T21-7	LOWER STOPPER	2				
060		327C44-6	LOWER PIPE L	1				
061		413T38-0	STOPPER PIN	2				
062		213005-3	O RING 5	2				
063		8141C0-9	HW001G NAME PLATE	1				

A:HW001GZ(N)
B:HW001GT201(H)

Interchange
O : Yes
X : No
< : the new part can be substituted for the current.
> : the current part can be substituted for the new.
S : Interchangeable as a set.

HW001G / CORDLESS HIGH PRESSURE WASHER

Item	Sub	Parts No.	Parts Description	Qty	I/C	E/C No.	Close No.	Remark
065		137020-2	REAR HOUSING ASSEMBLY	1				
	C10	263005-3	RUBBER PIN 6	1				
066		266326-2	TAPPING SCREW 4X18	23				
067		413T18-6	LOCK BOTTON	1				
068		233068-3	COMPRESSION SPRING 6	2				
069		413T34-8	LOCK PIN	2				
071		413T15-2	REAR COVER	1				
072		266326-2	TAPPING SCREW 4X18	8				
073		141T09-4	ACCESSORY HOLDER R COMPLETE	1				
	C10	809R02-9	CAUTION LABEL	1				
074		266326-2	TAPPING SCREW 4X18	4				
075		422250-1	RECEIVE RUBBER	1				
076		458326-8	MOTOR HOUSING	1				
077		422409-0	RUBBER CUSHION	2				
078		629C40-3	STATOR	1				
079		458327-6	BAFFLE PLATE	1				
080		266326-2	TAPPING SCREW 4X18	2				
081		210062-2	BALL BEARING 607ZZ	1				
082		519830-3	ROTOR ASS'Y	1				
	D10		INC. 81,83					
083		211131-2	BALL BEARING 6001DDW	1				
084		922233-6	H.S.H.BOLT M5X20 WITH WR	4				
085		161823-2	GEAR HOUSING COMPLETE	1				
	C10	263002-9	RUBBER PIN 4	2				
086		922233-6	H.S.H.BOLT M5X20 WITH WR	4				
087		122F16-2	PUMP ASSEMBLY	1				
	D10		INC.100-138,145-165					
088		265D26-5	HEX. BOLT M8X55 WITH G	2				
089		257A23-7	SLEEVE 8	2				
090		413T32-2	WHEEL 140	2				
091		327C28-4	PLATE	2				
092		413T23-3	BOTTOM PLATE	1				
093		266326-2	TAPPING SCREW 4X18	2				
094		266326-2	TAPPING SCREW 4X18	2				
095		422A59-7	FOOT RUBBER	3				
096		252274-1	TAPPING SCREW 4X18 WITH W	3				
100		213706-3	O RING 67	1				
101		210032-1	BALL BEARING 628DDW	1				
102		221597-8	HELICAL GEAR 47	1				
103		327076-5	SPINDLE	1				
104		161821-6	PUMP HOUSING COMPLETE	1				
105		347B66-4	WOBBLE PLATE 8.5	1				
106		265D25-7	H.S.H.BOLT M6X20 WITH W	1				
107		210275-5	THRUST BALL BEARING 2454	1				
108		961052-5	RETAINING RING (EXT) S-12	3				
111		327075-7	PISTON PIN 12	3				
112		347340-8	SPRING RETAINER C	3				
113		232434-1	COMPRESSION SPRING 22	3				
114		213706-3	O RING 67	1				
115		922233-6	H.S.H.BOLT M5X20 WITH WR	4				
116		319670-7	PISTON SYLINDER	1				
117		213861-1	OIL SEAL 12	3				
118		413T06-3	SEAL HOLDER 12	3				
119		422A58-9	PACKING 12	3				
120		312E45-9	PISTON HOUSING	1				
121		213656-2	O RING 53	1				
122		141S01-4	VALVE COMPLETE B	3				
123		141S00-6	VALVE COMPLETE A	3				
124		413T11-0	VALVE HOLDER	1				
125		213A49-9	O-RING 22	1				
126		213238-0	O-RING 13	1				
127		213005-3	O RING 5	1				
128		232433-3	COMPRESSION SPRING 6	1				
129		458322-6	SPRING RETAINER A	1				
130		213055-8	O RING 10	1				

A:HW001GZ(N)
B:HW001GT201(H)

Interchange
O : Yes
X : No
< : the new part can be substituted for the current.
> : the current part can be substituted for the new.
S : Interchangeable as a set.

