



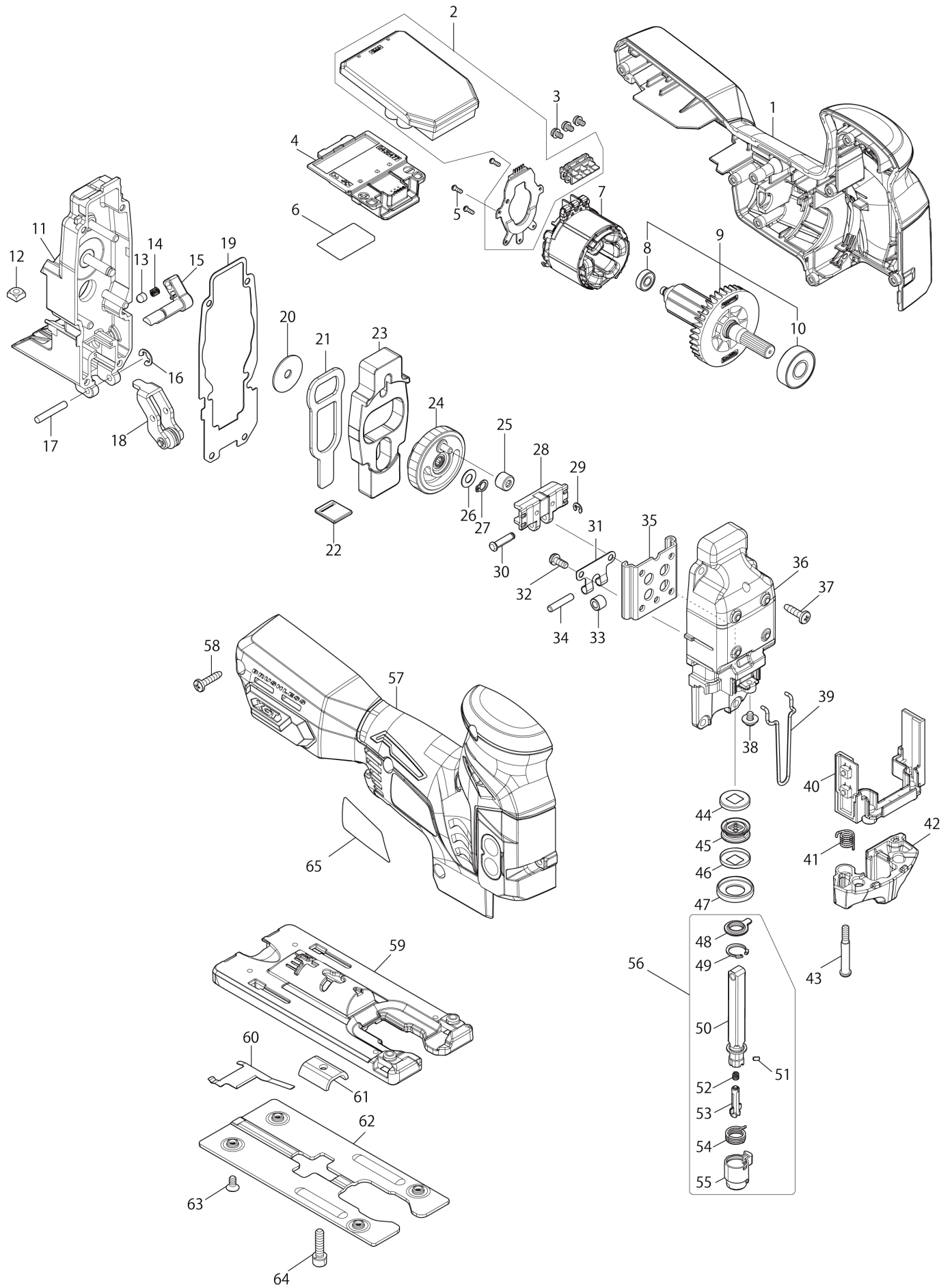
Diagram / Parts List

JV001G

CORDLESS JIG SAW



(IN) JV001G / CORDLESS JIG SAW



| | |
|-----------|--------------|
| IN | INDIA |
|-----------|--------------|

JV001G / CORDLESS JIG SAW

| Item | Sub | Parts No. | Parts Description | Qty | I/C | E/C No. | Close No. | Remark |
|------|-----|-----------|-----------------------------|-----|-----|---------|-----------|--------|
| 001 | | 183W95-7 | HOUSING SET | 1 | | | | |
| | C10 | 263005-3 | RUBBER PIN 6 | 2 | | | | |
| | C20 | 8066F9-6 | SWITCH LABEL | 2 | | | | |
| | D10 | | INC. 57 | | | | | |
| 002 | | 620J88-0 | CONTROLLER | 1 | | | | |
| 003 | | 652069-6 | FLAT HEAD SCREW M3X6 | 3 | | | | |
| 004 | | 632P65-6 | TERMINAL UNIT | 1 | | | | |
| 005 | | 266490-9 | TAPPING SCREW PT 2X6 | 3 | | | | |
| 006 | | 858U20-2 | JV001G SERIAL NO. LABEL | 1 | | | | |
| 007 | | 629B64-3 | STATOR | 1 | | | | |
| 008 | | 210039-7 | BALL BEARING 695DDW | 1 | | | | |
| 009 | | 519769-0 | ROTOR ASS'Y | 1 | | | | |
| | D10 | | INC. 8,10 | | | | | |
| 010 | | 210059-1 | BALL BEARING 6000DDW | 1 | | | | |
| 011 | | 142111-6 | GEAR HOUSING COMPLETE | 1 | | | | |
| | C10 | 263002-9 | RUBBER PIN 4 | 1 | | | | |
| 012 | | 252171-1 | SQUARE NUT M5-8 | 1 | | | | |
| 013 | | 286032-3 | CAP 5 | 1 | | | | |
| 014 | | 233139-6 | COMPRESSION SPRING 3 | 1 | | | | |
| 015 | | 272280-0 | LEVER 17 | 1 | | | | |
| 016 | | 961018-5 | STOP RING E-5 | 1 | | | | |
| 017 | | 268063-4 | PIN 4 | 1 | | | | |
| 018 | | 142110-8 | RETAINER COMPLETE | 1 | | | | |
| 019 | | 442195-7 | GASKET | 1 | | | | |
| 020 | | 253196-8 | FLAT WASHER 6 | 1 | | | | |
| 021 | | 346688-5 | PUSH PLATE | 1 | | | | |
| 022 | | 454484-8 | SEAL PLATE | 1 | | | | |
| 023 | | 313260-8 | BALANCE PLATE | 1 | | | | |
| 024 | | 142109-3 | GEAR COMPLETE | 1 | | | | |
| 025 | | 212092-9 | NEEDLE BEARING 407 | 1 | | | | |
| 026 | | 253715-0 | FLAT WASHER 6 | 1 | | | | |
| 027 | | 961002-0 | RETAINING RING S-6 | 1 | | | | |
| 028 | | 310837-0 | SLIDER | 1 | | | | |
| 029 | | 961017-7 | STOP RING E-3 | 1 | | | | |
| 030 | | 268090-1 | PIN 4 | 1 | | | | |
| 031 | | 232207-2 | LEAF SPRING | 1 | | | | |
| 032 | | 911111-5 | PAN HEAD SCREW M4X10 WITH W | 4 | | | | |
| 033 | | 214031-5 | PLANE BEARING 4 | 1 | | | | |
| 034 | | 256117-9 | PIN 4 | 1 | | | | |
| 035 | | 347B50-9 | LINEAR GUIDE | 1 | | | | |
| 036 | | 141R27-0 | GEAR HOUSING COVER COMPLETE | 1 | | | | |
| 037 | | 266034-5 | TAPPING SCREW CT 4X16 | 4 | | | | |
| 038 | | 911104-2 | PAN HEAD SCREW M4X6 | 1 | | | | |
| 039 | | 326302-9 | SAFETY WIRE | 1 | | | | |
| 040 | | 620J89-8 | SWITCH UNIT | 1 | | | | |
| 041 | | 231659-4 | TORSION SPRING 6 | 1 | | | | |
| 042 | | 454483-0 | TOOL OPENER | 1 | | | | |
| 043 | | 265026-1 | + PAN HEAD SCREW M4 | 1 | | | | |
| 044 | | 267854-0 | CAP WASHER 8 | 1 | | | | |
| 045 | | 421815-6 | DUST SEAL 8 | 1 | | | | |
| 046 | | 267854-0 | CAP WASHER 8 | 1 | | | | |
| 047 | | 257347-5 | RING 21 | 1 | | | | |
| 048 | | 424569-4 | DUST COVER | 1 | | | | |
| 049 | | 962063-3 | RETAINING RING R-13 | 1 | | | | |
| 050 | | 165724-6 | ROD | 1 | | | | |
| 051 | | 256528-8 | PIN 2 | 1 | | | | |
| 052 | | 233314-4 | COMPRESSION SPRING 4 | 1 | | | | |
| 053 | | 310485-5 | LOCK PIN | 1 | | | | |
| 054 | | 233591-8 | TORSION SPRING 10 | 1 | | | | |
| 055 | | 310547-9 | BLADE HOLDER | 1 | | | | |
| 056 | | 135602-4 | ROD ASS'Y | 1 | | | | |
| | D10 | | INC. 48-55 | | | | | |
| 057 | | 183W95-7 | HOUSING SET | 1 | | | | |
| | C10 | 263005-3 | RUBBER PIN 6 | 2 | | | | |
| | C20 | 8066F9-6 | SWITCH LABEL | 2 | | | | |

A:JV001GZ(N)
B:JV001GD201(H)

Interchange
O : Yes
X : No
< : the new part can be substituted for the current.
> : the current part can be substituted for the new.
S : Interchangeable as a set.

