



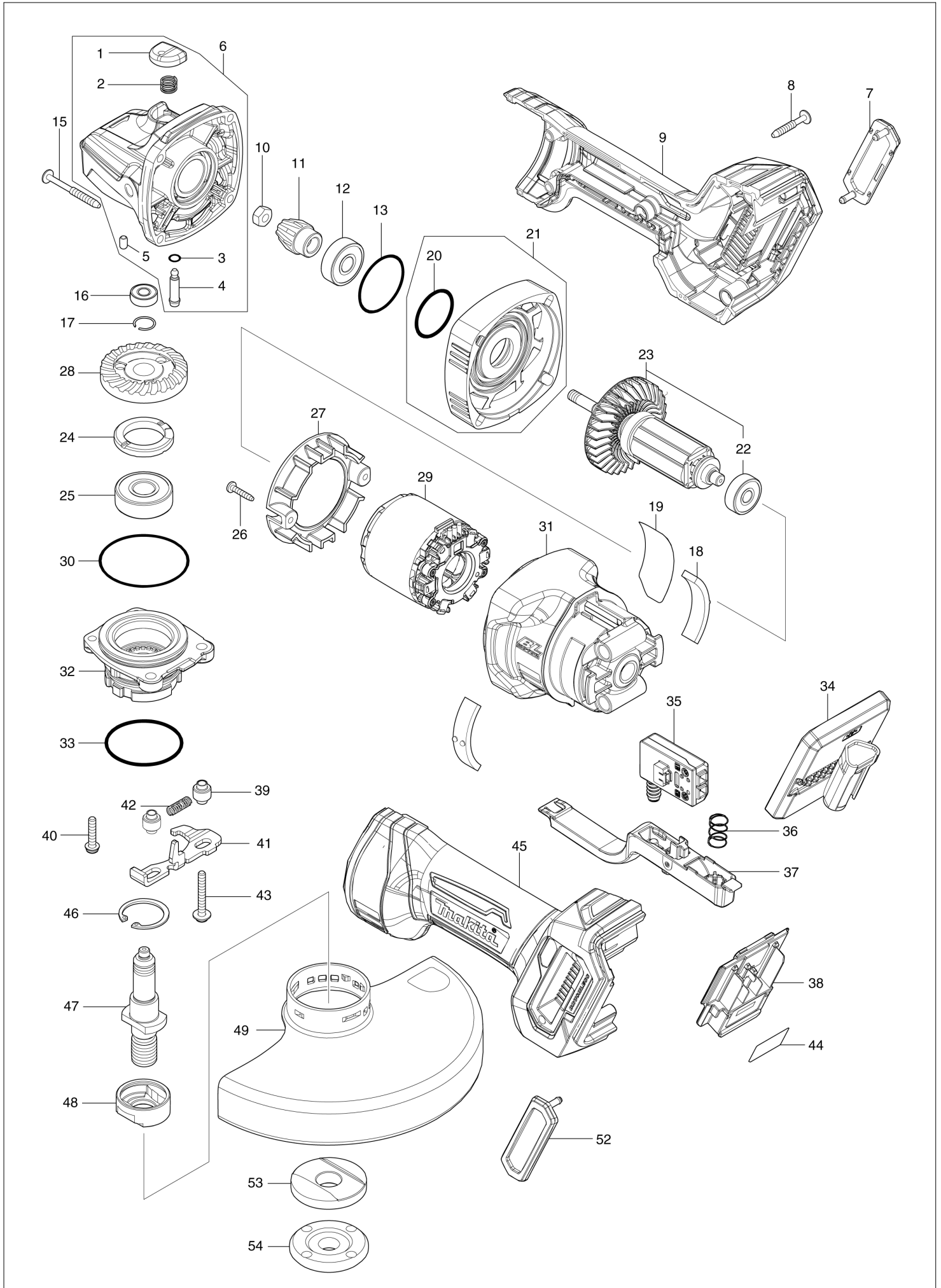
# Diagram / Parts List

**GA051G**

**150MM CORDLESS ANGLE GRINDER**



(IN) GA051G / 150MM CORDLESS ANGLE GRINDER



<b>IN</b>	<b>INDIA</b>
-----------	--------------

## GA051G / 150MM CORDLESS ANGLE GRINDER

Item	Sub	Parts No.	Parts Description	Qty	I/C	E/C No.	Close No.	Remark
001		412234-7	PIN CAP	1				
002		233072-2	COMPRESSION SPRING 8	1				
003		213960-9	O RING 5	1				
004		256546-6	SHOULDER PIN 4	1				
005		263002-9	RUBBER PIN 4	1				
006		136986-3	GEAR HOUSING ASSEMBLY	1				
	D10		INC. 1-5					
007		422A12-3	DUST COVER	1				
008		265999-8	TAPPING SCREW 4X25	5				
009		183Y56-9	HANDLE SET	1				
	C10	263005-3	RUBBER PIN 6	2				
	C20	422A11-5	CUSHION RING	4				
	D10		INC. 7,45,52					
010		252186-8	HEX. NUT M6	1				
011		226976-5	SPIRAL BEVEL GEAR 10	1				
012		210042-8	BALL BEARING 629LLB	1				
013		213A32-6	O-RING 32	1				
015		266048-4	TAPPING SCREW 4X40	4				
016		210006-2	BALL BEARING 696ZZ	1				
017		233950-6	RING SPRING 11	1				
018		422A10-7	FRONT CUSHION	2				
019		8589N1-2	GA051G NAME PLATE	1				
020		213445-5	O-RING 26	1				
021		136989-7	GEAR HOUSING COVER ASS'Y	1				
	D10		INC. 20					
022		210023-2	BALL BEARING 627DDW	1				
023		519810-9	ROTOR ASSEMBLY	1				
	D10		INC. 22					
024		285039-6	BEARING RETAINER 23-33	1				
025		211137-0	BALL BEARING 6201LLU	1				
026		266429-2	TAPPING SCREW 3X16	2				
027		413P41-7	BAFFLE PLATE	1				
028		227A65-5	SPIRAL BEVEL GEAR 37	1				
029		629C11-0	STATOR	1				
030		213622-9	O RING 45	1				
031		1830B1-8	MOTOR HOUSING SET	1				
	D10		INC. 18					
032		141N73-9	BEARING BOX COMPLETE	1				
033		213789-3	O-RING 38	1				
034		620L31-1	CONTROLLER	1				
035		651083-9	SWITCH C3XA-1PSPM	1				
036		233263-5	COMPRESSION SPRING 9	1				
037		141N71-3	SWITCH LEVER COMPLETE	1				
038		632P65-6	TERMINAL UNIT	1				
039		327322-6	SLEEVE 4	2				
040		911138-5	P.H.SCREW M4X20 WITH WR	2				
041		347803-4	LEVER	1				
042		232490-1	COMPRESSION SPRING 4	1				
043		911159-7	PAN HEAD SCREW M4X30	2				
044		8589N5-4	GA051G SERIAL NO.LABEL	1				
045		183Y56-9	HANDLE SET	1				
	C10	263005-3	RUBBER PIN 6	2				
	C20	422A11-5	CUSHION RING	4				
	D10		INC. 7,9,52					
046		962105-3	RETAINING RING R-26	1				
047		326672-6	SPINDLE	1				
048		310514-4	LEAD FLANGE	1				
049		141P47-2	WHEEL COVER 150 COMPLETE	1				
	C10	8050A1-8	CAUTION LABEL	1				
052		422A12-3	DUST COVER	1				
053		224447-6	INNER FLANGE 42B	1				
054		224485-8	LOCK NUT 14-45	1				
A01		A-80846	DEPRESSED CENTER WHEEL 150X36	1				
A02		191V56-7	CUTTING W.C.A. 150 SET	1				
A03		162258-0	VIBRATION PROOF GRIP	1				

A:GA051GZ(N)  
B:GA051GT101(H)

Interchange  
O : Yes  
X : No  
< : the new part can be substituted for the current.  
> : the current part can be substituted for the new.  
S : Interchangeable as a set.

