



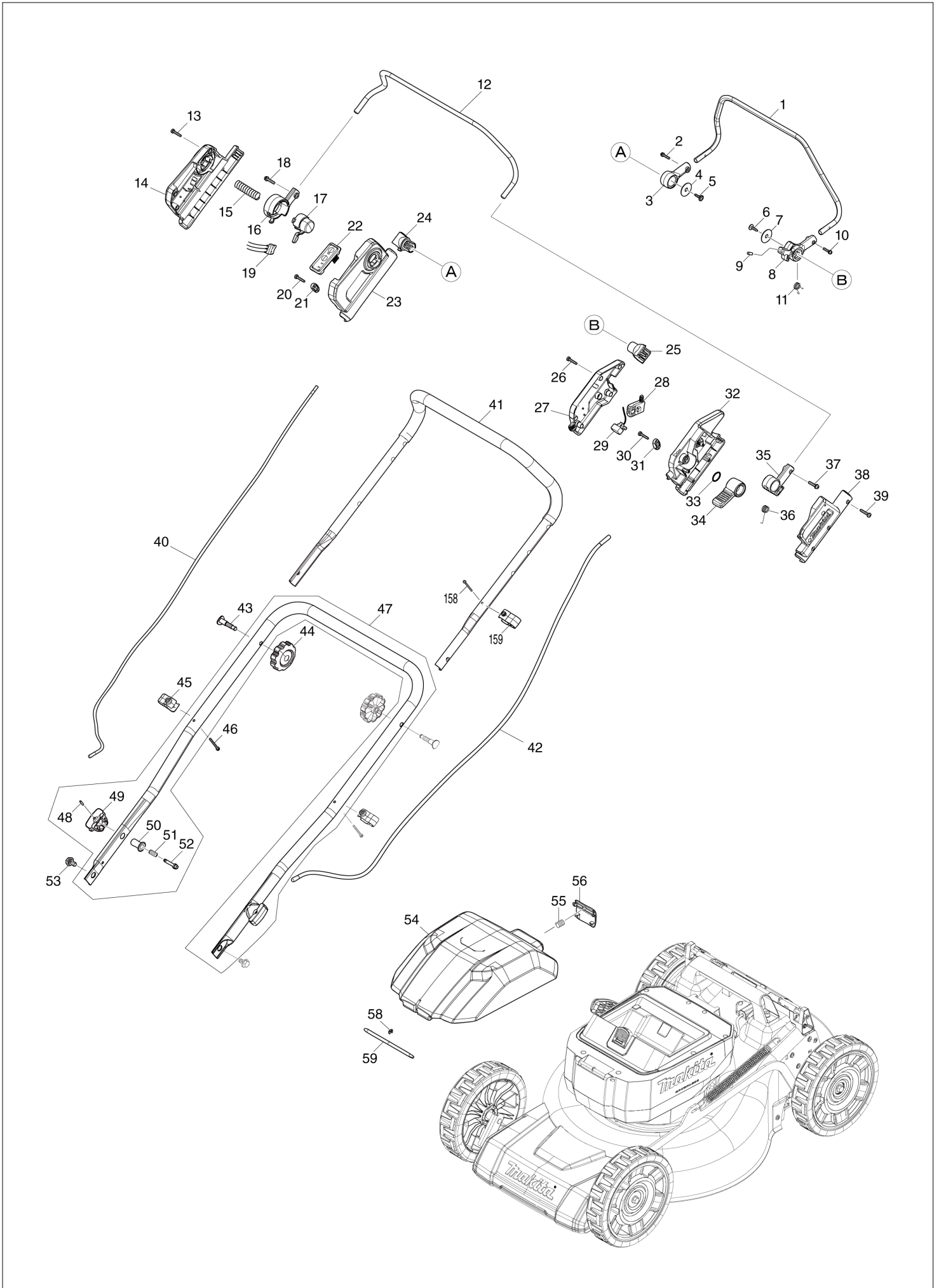
Diagram / Parts List

LM003J

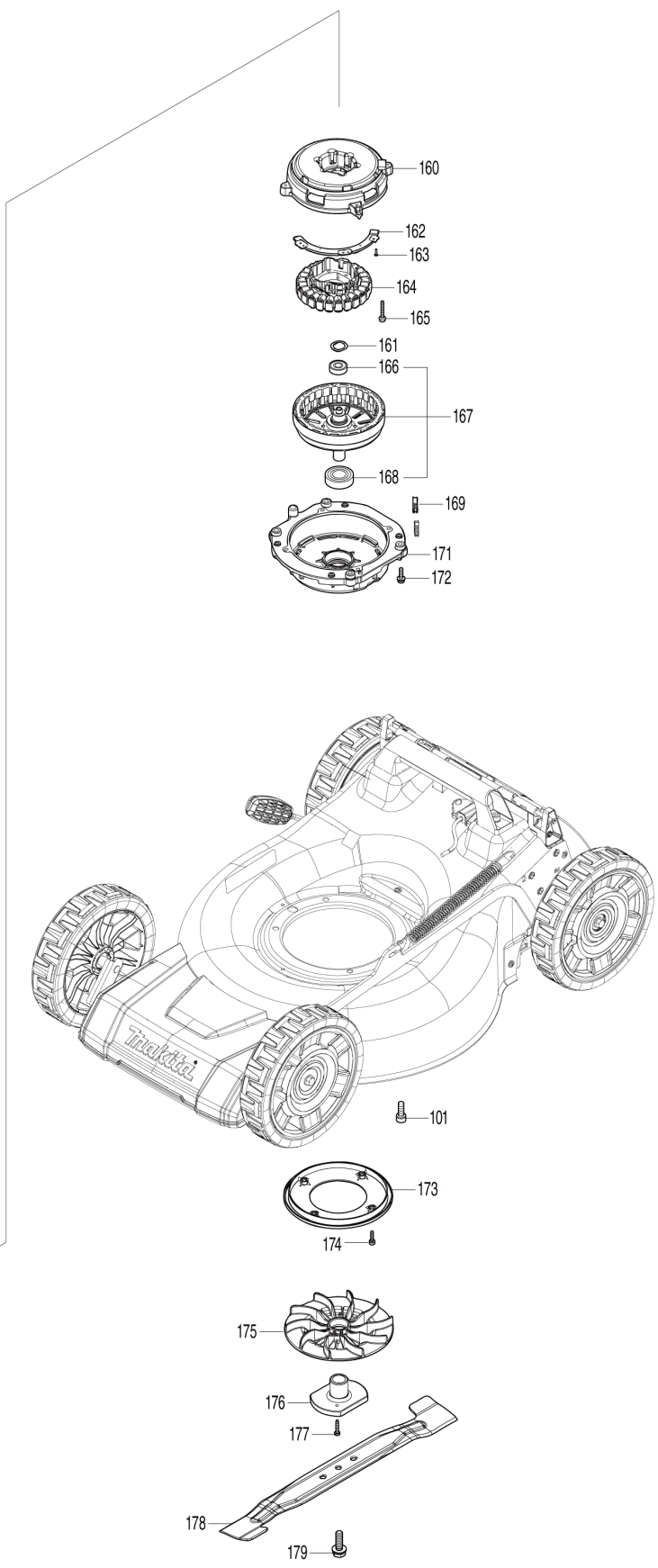
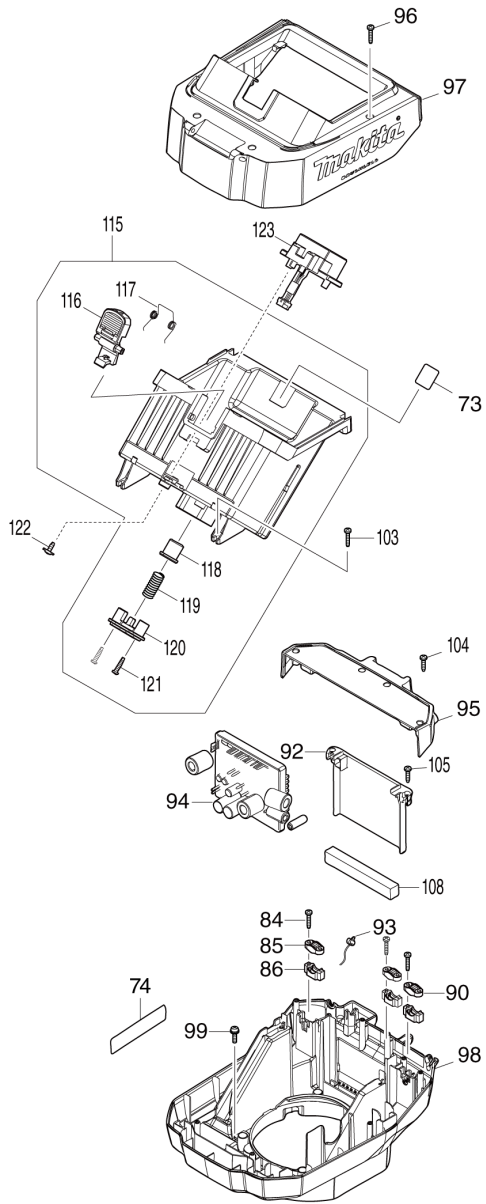
480MM CORDLESS LAWN MOWER



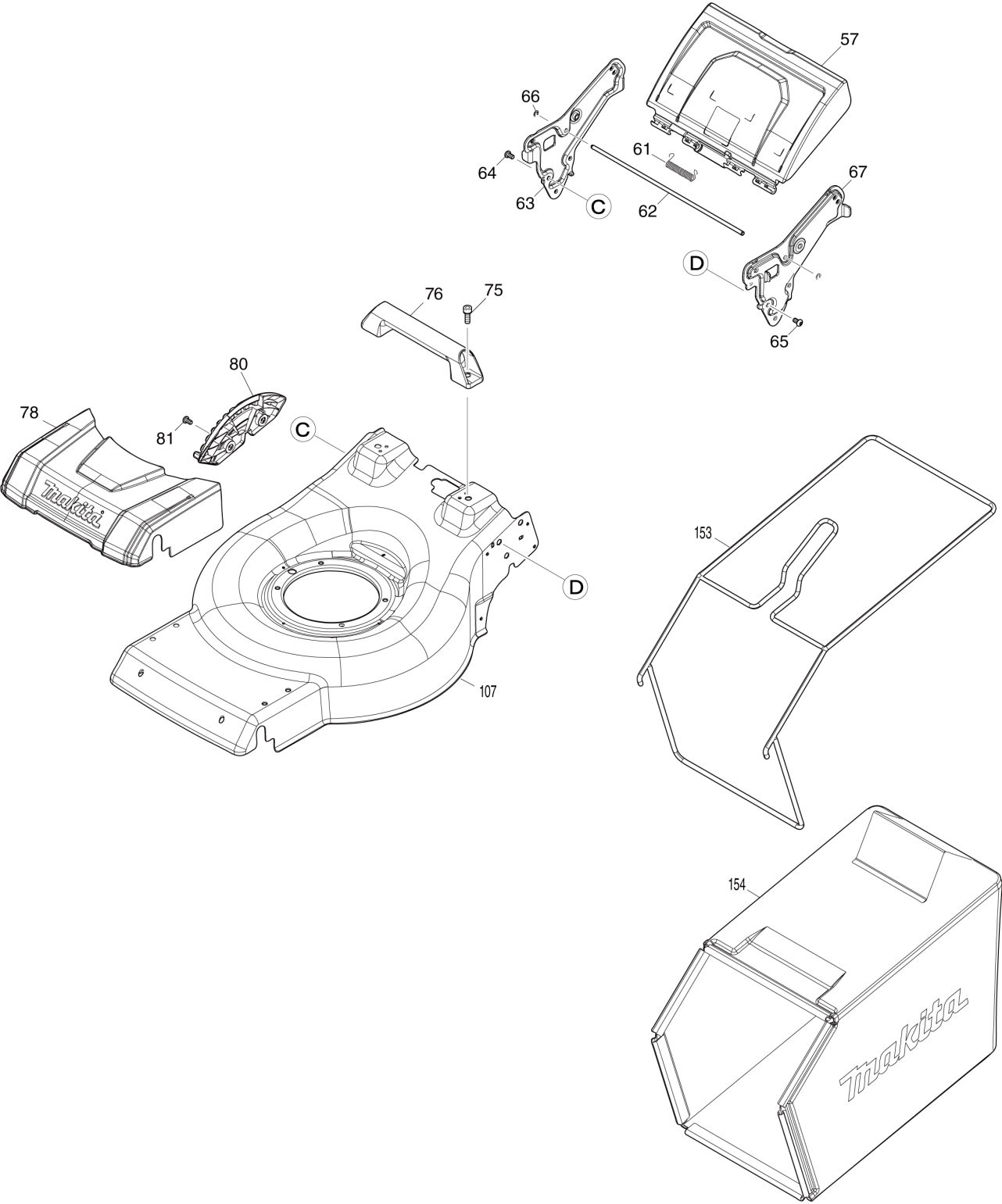
(IN) LM003J / 480MM CORDLESS LAWN MOWER



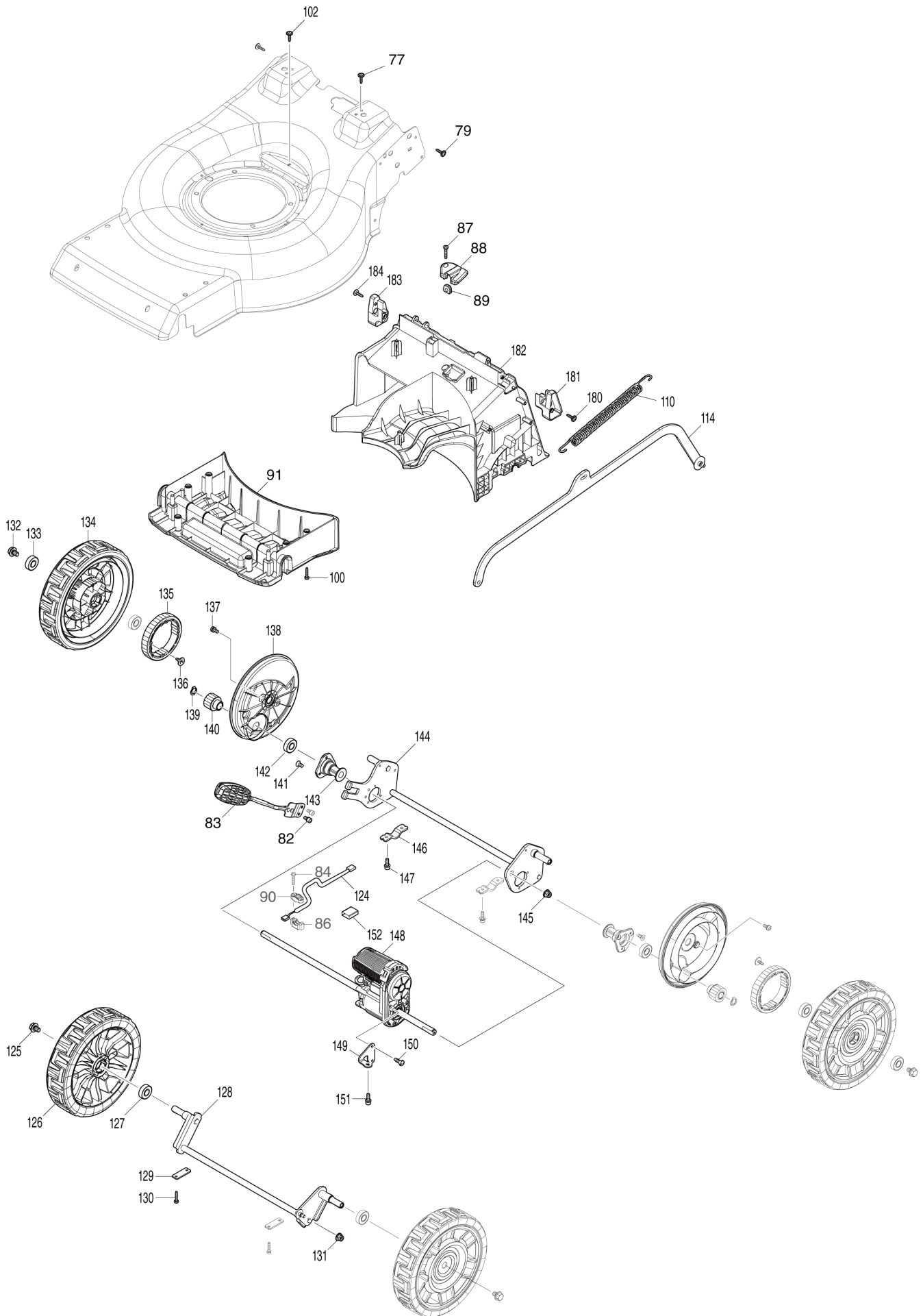
(IN) LM003J / 480MM CORDLESS LAWN MOWER



(IN) LM003J / 480MM CORDLESS LAWN MOWER



(IN) LM003J / 480MM CORDLESS LAWN MOWER



IN	INDIA
-----------	--------------

LM003J / 480MM CORDLESS LAWN MOWER

Item	Sub	Parts No.	Parts Description	Qty	I/C	E/C No.	Close No.	Remark
001		327425-6	DRIVING LEVER	1				
002		911138-5	P.H.SCREW M4X20 WITH WR	1				
003		459858-8	DRIVING LEVER SUPPORT R	1				
	C10	931102-0	HEX. NUT M4	1				
004		253814-8	FLAT WASHER 8	1				
005		265620-9	TAPPING SCREW FLANGE 4X18	1				
006		265620-9	TAPPING SCREW FLANGE 4X18	1				
007		253814-8	FLAT WASHER 8	1				
008		413B10-4	DRIVING LEVER SUPPORT L	1				
	C10	931102-0	HEX. NUT M4	1				
009		268225-4	PIN 5	1				
010		911138-5	P.H.SCREW M4X20 WITH WR	1				
011		232566-4	TORSION SPRING 12	1				
012		327424-8	SWITCH LEVER	1				
013		266424-2	TAPPING SCREW 4X20	6				
014		183X93-7	SWITCH BOX SET	1				
	C10	8044A1-9	INDICATION LABEL	1				
	D10		INC. 23					
015		231227-3	COMPRESSION SPRING 15	1				
016		459856-2	SWITCH LEVER SUPPORT R	1				
	C10	931102-0	HEX. NUT M4	1				
017		459857-0	LOCK OFF BUTTON	1				
018		911138-5	P.H.SCREW M4X20 WITH WR	1				
019		632T11-3	SWITCH UNIT	1				
020		266424-2	TAPPING SCREW 4X20	2				
021		687123-7	STRAIN RELIEF	1				
022		141E30-3	SWITCH CIRCUIT COMPLETE	1				
	C10	8031N1-9	SWITCH LABEL	1				
023		183X93-7	SWITCH BOX SET	1				
	C10	8044A1-9	INDICATION LABEL	1				
	D10		INC. 14					
024		413A98-8	DRIVING LEVER HOLDER	1				
025		413A98-8	DRIVING LEVER HOLDER	1				
026		266424-2	TAPPING SCREW 4X20	5				
027		183U35-3	LEVER BOX SET	1				
	D10		INC. 38					
028		651083-9	SWITCH C3XA-1PSPM	1				
029		620J45-8	DIAL CIRCUIT	1				
030		266424-2	TAPPING SCREW 4X20	2				
031		687123-7	STRAIN RELIEF	1				
032		413A95-4	LEVER BOX C	1				
033		213A12-2	O-RING 18	1				
034		413B01-5	SPEED LEVER	1				
035		459863-5	SWITCH LEVER SUPPORT L	1				
	C10	931102-0	HEX. NUT M4	1				
036		232575-3	TORSION SPRING 12	1				
037		911138-5	P.H.SCREW M4X20 WITH WR	1				
038		183U35-3	LEVER BOX SET	1				
	D10		INC. 27					
039		266424-2	TAPPING SCREW 4X20	5				
040		699211-8	POWER SUPPLY CORD UNIT	1				
041		327871-3	HANDLE UPPER	1				
042		699212-6	POWER SUPPLY CORD UNIT	1				
043		265C08-1	FLAT HEAD BOLT M8X50	2				
044		265C06-5	THUMB NUT M8	2				
045		413L52-8	CLAMP	2				
	C10	931102-0	HEX. NUT M4	2				
046		911168-6	PAN HEAD SCREW M4X40	2				
047		122D37-2	HANDLE LOWER ASSEMBLY	1				
	D10		INC. 48-52					
048		258004-8	SPRING PIN 2.5-16	2				
049		413943-1	KNOB	2				
050		327A66-4	LOCK HOLDER	2				
051		234121-8	COMPRESSION SPRING 8	2				
052		327A65-6	LOCK PIN	2				

A:LM003JZ(N)
B:LM003JB101(H)

Interchange
O : Yes
X : No
< : the new part can be substituted for the current.
> : the current part can be substituted for the new.
S : Interchangeable as a set.

IN	INDIA
----	-------

LM003J / 480MM CORDLESS LAWN MOWER

Item	Sub	Parts No.	Parts Description	Qty	I/C	E/C No.	Close No.	Remark
053		265C07-3	HEX. BOLT M8	2				
054		136881-7	BATTERY COVER ASS'Y	1				
	C10	8046H7-8	INDICATION LABEL	1				
055		231037-8	COMPRESSION SPRING 7	1				
056		459852-0	LOCK LEVER	1				
057		141M34-3	REAR FLAP COMPLETE	1				
	C10	8044A0-1	CAUTION LABEL	1				
058		961018-5	STOP RING E-5	1				
059		327875-5	ROD 6	1				
061		232721-8	TORSION SPRING 8	1				
062		327A63-0	ROD 6	1				
063		347A56-1	HANDLE BRACKET R	1				
064		265B20-5	HEX.SOCKET BUTTON HEAD BOLT M8	3				
065		265B20-5	HEX.SOCKET BUTTON HEAD BOLT M8	3				
066		961018-5	STOP RING E-5	2				
067		347A55-3	HANDLE BRACKET L	1				
073		8582E7-5	LM003J SERIAL NO. LABEL	1				
074		8582E4-1	LM003J NAME PLATE	1				
075		922441-9	HEX. SOCKET HEAD BOLT M8X25	2				
076		413L42-1	REAR GRIP	1				
077		265620-9	TAPPING SCREW FLANGE 4X18	2				
078		413L32-4	FRONT COVER	1				
079		265620-9	TAPPING SCREW FLANGE 4X18	7				
080		413L44-7	HEIGHT ADJUST PLATE	1				
081		265B20-5	HEX.SOCKET BUTTON HEAD BOLT M8	2				
082		922311-2	HEX. SOCKET HEAD BOLT M6X12	2				
083		162B98-8	HEIGHT ADJUST LEVER COMPLETE	1				
084		266424-2	TAPPING SCREW 4X20	6				
085		687123-7	STRAIN RELIEF	2				
086		687051-6	STRAIN RELIEF	3				
087		266424-2	TAPPING SCREW 4X20	1				
088		413L50-2	LEAD COVER	1				
089		422526-6	GROMMET	1				
090		687124-5	STRAIN RELIEF	1				
091		413L34-0	DECK UNDER COVER F	1				
092		413L31-6	INNER PLATE	1				
093		620J95-3	LED CIRCUIT	1				
094		620J93-7	CONTROLLER	1				
095		141M33-5	COWLING COVER COMPLETE	1				
096		266424-2	TAPPING SCREW 4X20	4				
097		122D39-8	COWLING UPPER ASSEMBLY	1				
	C10	422756-9	SPONGE SEAL	1				
098		413L25-1	COWLING LOWER	1				
099		911233-1	PAN HEAD SCREW M5X20	4				
100		266424-2	TAPPING SCREW 4X20	6				
101		922441-9	HEX. SOCKET HEAD BOLT M8X25	4				
102		265620-9	TAPPING SCREW FLANGE 4X18	1				
103		266424-2	TAPPING SCREW 4X20	4				
104		266424-2	TAPPING SCREW 4X20	4				
105		266424-2	TAPPING SCREW 4X20	2				
107		141S43-8	DECK COMPLETE	1				
108		422956-1	SPONGE	1				
110		232628-8	TENSION SPRING 16	1				
114		347A57-9	CONNECTING ROD	1				
115		122D36-4	BATTERY HOUSING ASSEMBLY	1				
	D10		INC. 116-121					
116		413942-3	LOCK LEVER	1				
117		232716-1	TORSION SPRING 9	1				
118		413940-7	SPRING HOLDER	1				
119		232718-7	COMPRESSION SPRING 11	1				
120		413941-5	SPRING SUPPORT	1				
121		266424-2	TAPPING SCREW 4X20	2				
122		265B00-1	TAPPING SCREW FLANGE 4X12	2				
123		632U17-7	TERMINAL UNIT	1				
124		699213-4	POWER SUPPLY CORD UNIT	1				

A:LM003JZ(N)
B:LM003JB101(H)

Interchange
O : Yes
X : No
< : the new part can be substituted for the current.
> : the current part can be substituted for the new.
S : Interchangeable as a set.

IN	INDIA
-----------	--------------

LM003J / 480MM CORDLESS LAWN MOWER

Item	Sub	Parts No.	Parts Description	Qty	I/C	E/C No.	Close No.	Remark
125		265324-3	HEX. FLANGE HEAD BOLT M8X12	2				
126		141M25-4	TIRE 230 COMPLETE	2				
127		210163-6	BALL BEARING 6001DDW	2				
128		162B99-6	FRONT SHAFT	1				
129		347869-4	PLATE	2				
130		266424-2	TAPPING SCREW 4X20	4				
131		252301-4	HEX. FLANGE LOCK NUT M6-10	1				
132		265324-3	HEX. FLANGE HEAD BOLT M8X12	2				
133		210163-6	BALL BEARING 6001DDW	4				
134		141M26-2	TIRE 230 COMPLETE	2				
135		227A02-9	SPUR GEAR 47	2				
136		265B00-1	TAPPING SCREW FLANGE 4X12	4				
137		911213-7	PAN HEAD SCREW M5X12	4				
138		413L41-3	WHEEL CAP	2				
139		961052-5	RETAINING RING (EXT) S-12	2				
140		227A01-1	SPUR GEAR 15	2				
141		251951-2	HEX. SOCKET HEAD BOLT M5X10	6				
142		210163-6	BALL BEARING 6001DDW	2				
143		313390-5	REAR SHAFT HOLDER	2				
144		162C01-5	REAR SHAFT	1				
145		252301-4	HEX. FLANGE LOCK NUT M6-10	1				
146		347865-2	CLAMP 19	2				
147		922223-9	H.S.H.BOLT M5X16 WITH WR	4				
148		122D27-5	DRIVE UNIT	1				
149		347A59-5	BRACKET	1				
150		266388-0	TAPPING SCREW 5X16	2				
151		922223-9	H.S.H.BOLT M5X16 WITH WR	1				
152		683A20-1	POLYOLEFIN TUBE	1				
153		162C44-7	GRASS CATCHER BRACKET	1				
154		162C11-2	GRASS CATCHER	1				
158		911163-6	PAN HEAD SCREW M4X35	1				
159		413944-9	CLAMP	1				
	C10	931102-0	HEX. NUT M4	1				
160		141M30-1	STATOR BASE COMPLETE	1				
161		253455-0	WAVE WASHER 19	1				
162		620J44-0	CONTROLLER B	1				
163		265C89-5	FLAT HEAD SCREW M3X10	3				
164		629B85-5	STATOR	1				
165		911158-9	PAN HEAD SCREW M4X30	6				
166		210059-1	BALL BEARING 6000DDW	1				
167		519786-0	ROTOR ASS'Y	1				
	D10		INC. 166,168					
168		211332-2	BALL BEARING 6004LLU	1				
169		422955-3	GROMMET	2				
171		312D43-7	BRACKET	1				
172		911233-1	PAN HEAD SCREW M5X20	4				
173		413L53-6	BAFFLE PLATE	1				
174		911126-2	PAN HEAD SCREW M4X16	4				
175		240205-2	FAN 170	1				
176		312D47-9	BLADE SUPPORT 480	1				
177		266424-2	TAPPING SCREW 4X20	2				
178		191V97-3	BLADE 480 SET	1				
179		265A69-9	HEX. BOLT M10X35 WITH WG	1				
180		265620-9	TAPPING SCREW FLANGE 4X18	1				
181		183X16-5	GRASS GUARD SET	1				
	D10		INC. 183					
182		413L36-6	DECK UNDER COVER R	1				
	C10	252329-2	SQUARE NUT M5	5				
183		183X16-5	GRASS GUARD SET	1				
	D10		INC. 181					
184		265620-9	TAPPING SCREW FLANGE 4X18	1				
A01		327589-6	ROD 6	1				
A02		413L54-4	MULCHING PLUG 480	1				
A03		413L56-0	DISCHARGE CHUTE	1				
A04		782210-8	SOCKET WRENCH 17	1				

A:LM003JZ(N)
B:LM003JB101(H)

Interchange
O : Yes
X : No
< : the new part can be substituted for the current.
> : the current part can be substituted for the new.
S : Interchangeable as a set.

