



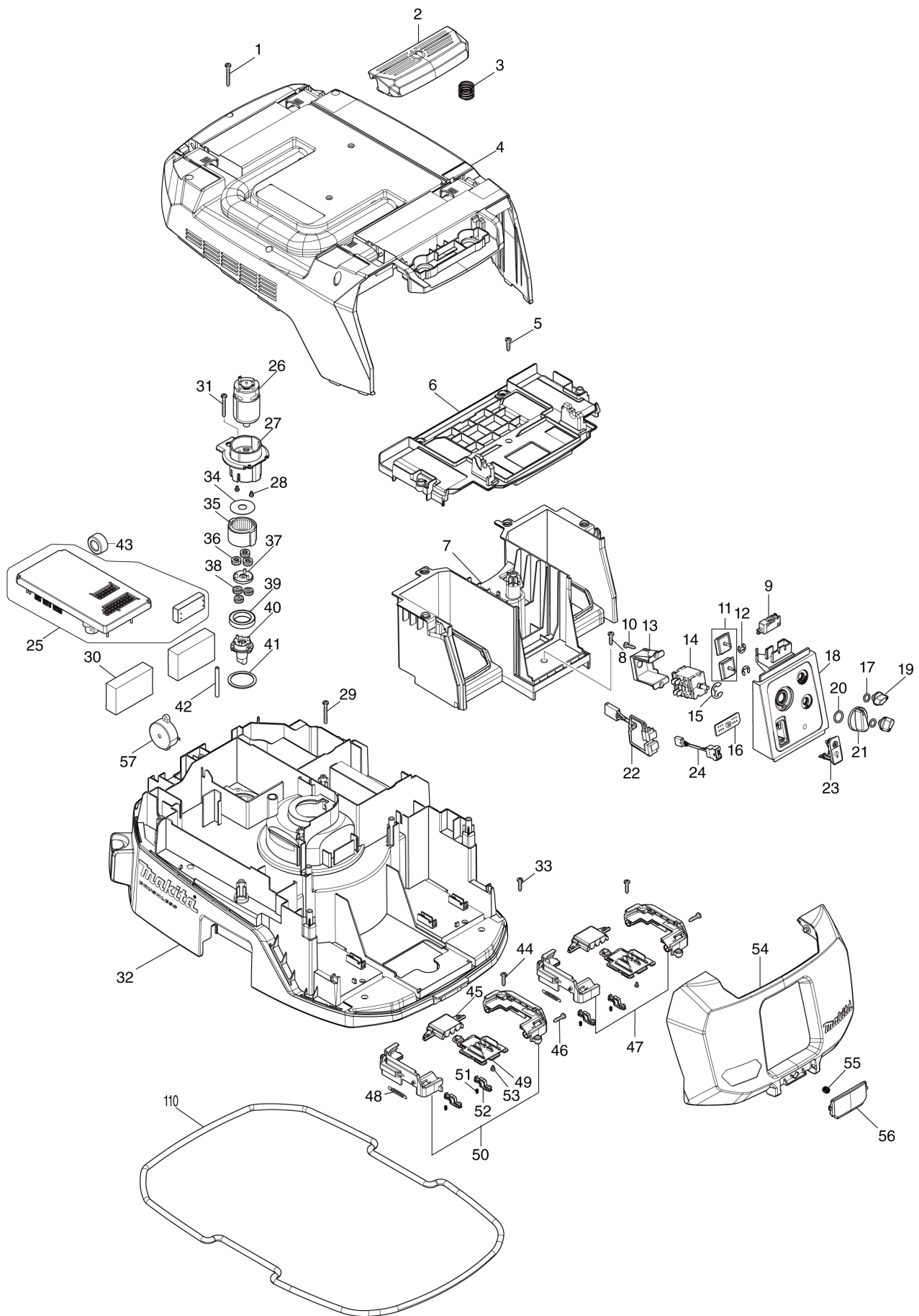
Diagram / Parts List

VC006GM

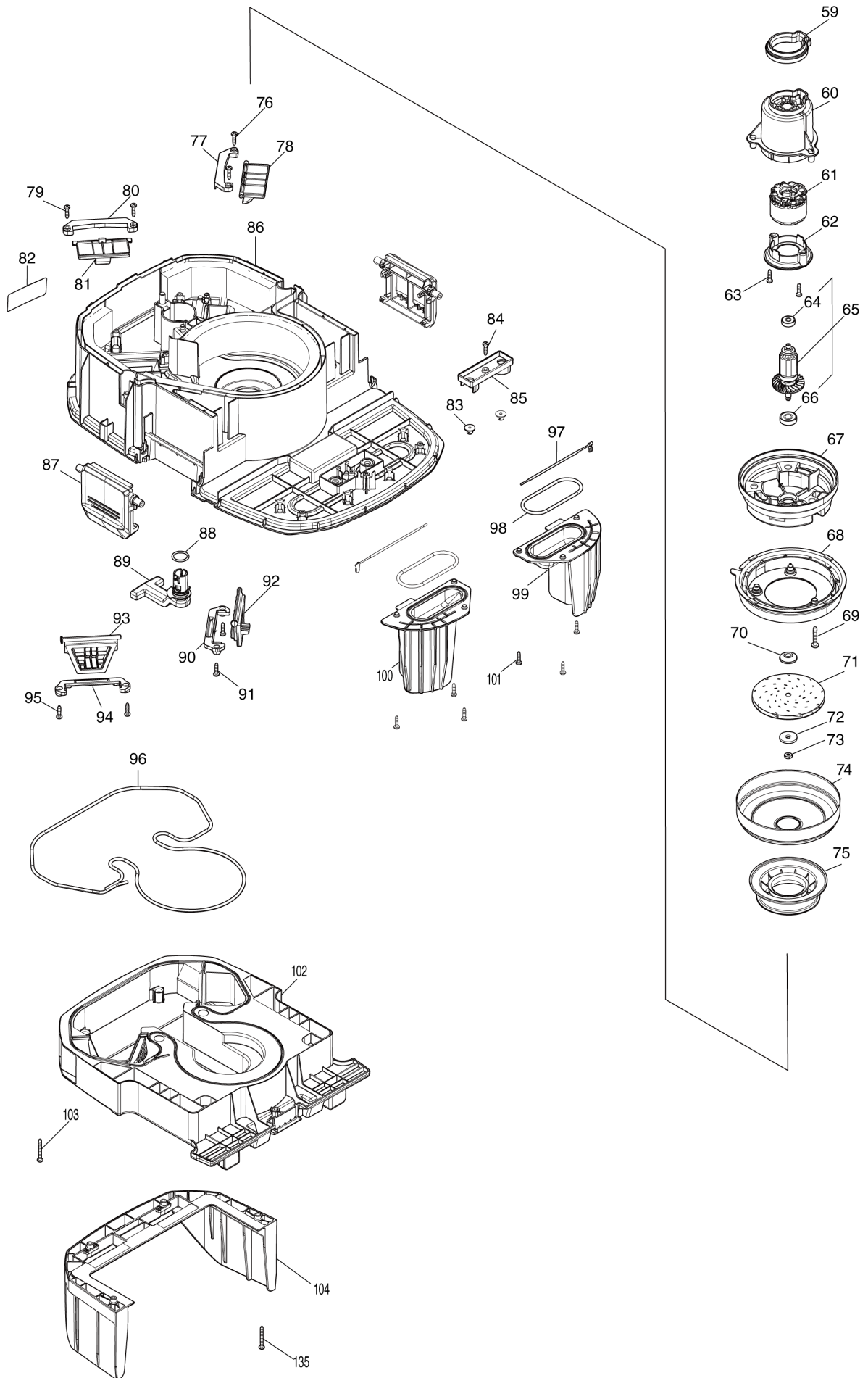
CORDLESS VACUUM CLEANER



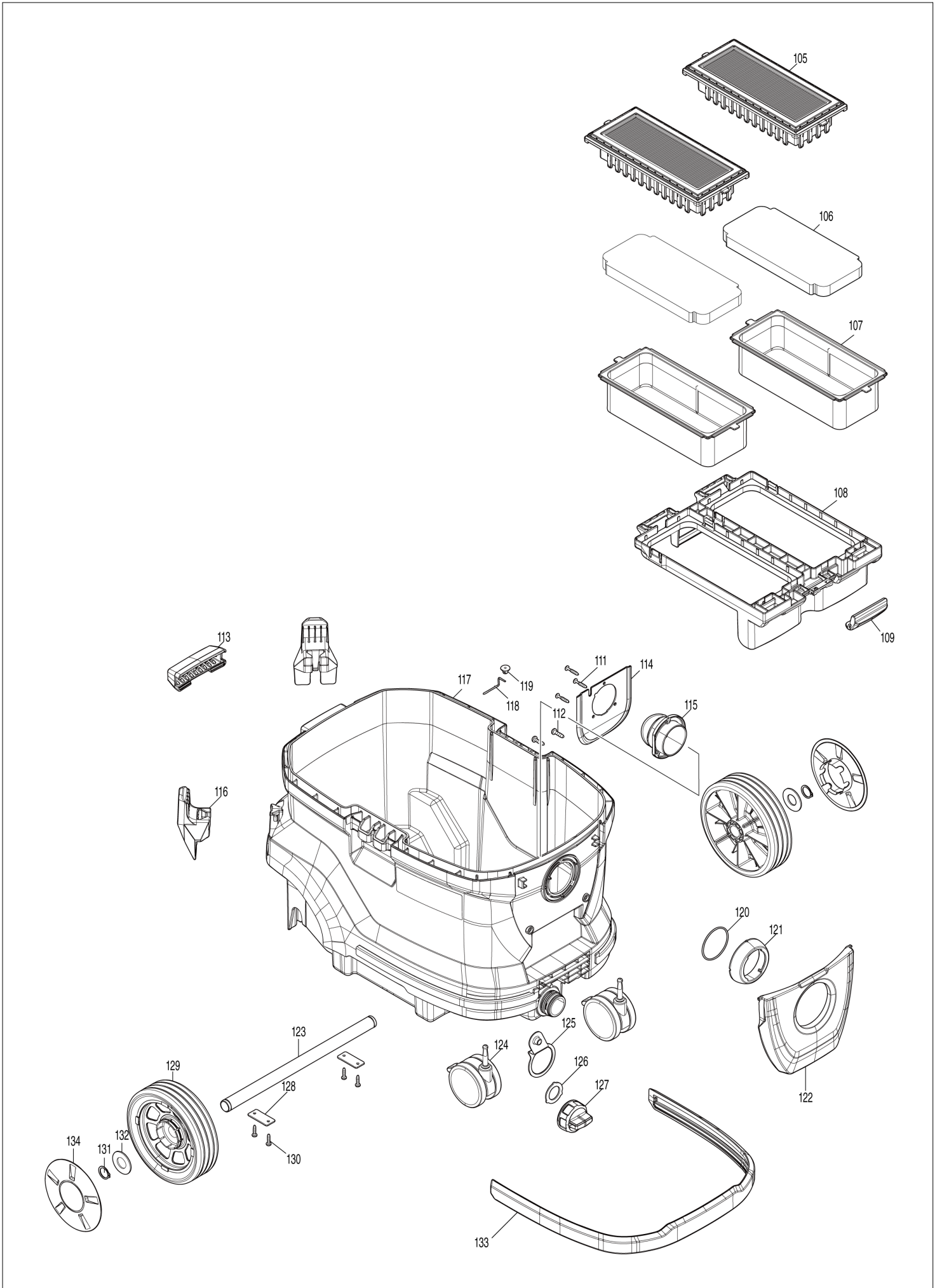
(IN) VC006GM / CORDLESS VACUUM CLEANER



(IN) VC006GM / CORDLESS VACUUM CLEANER



(IN) VC006GM / CORDLESS VACUUM CLEANER



VC006GM / CORDLESS VACUUM CLEANER

Item	Sub	Parts No.	Parts Description	Qty	I/C	E/C No.	Close No.	Remark
001		266351-3	TAPPING SCREW 4X35	9				
002		413B26-9	SWITCH BUTTON	1				
003		234273-5	COMPRESSION SPRING 20	2				
004		141L64-8	COWLING COMPLETE	1				
	C10	8059E1-0	CAUTION LABEL	1				
	C20	413K73-4	GRIP	1				
	C30	413K74-2	LATCH	4				
005		266326-2	TAPPING SCREW 4X18	1				
006		413K69-5	UPPER HOUSING	1				
007		413K68-7	LOWER HOUSING	1				
008		266326-2	TAPPING SCREW 4X18	1				
009		651910-0	SWITCH D2VW-01-3HS	1				
010		266326-2	TAPPING SCREW 4X18	2				
011		620H02-4	DIAL CIRCUIT	1				
012		961013-5	STOP RING E-7	2				
013		451343-7	SWITCH HOLDER	1				
014		650014-5	SWITCH 1703.4803	1				
015		961062-2	STOP RING E-12	1				
016		620F40-4	INDICATION CIRCUIT	1				
017		213054-0	O RING 9	2				
018		141L60-6	SWITCH BASE A COMPLETE	1				
	C10	8056M2-6	INDICATION LABEL	1				
019		451344-5	SWITCH DIAL	2				
020		213176-6	O RING 14	1				
021		451342-9	SWITCH LEVER	1				
022		638A19-1	LEAD UNIT	1				
023		141L63-0	CAP COMPLETE	1				
024		632L47-4	CONNECTOR UNIT	1				
025		620G99-7	CONTROLLER	1				
026		629B77-4	DC MOTOR	1				
027		454207-4	GEAR CASE	1				
028		911003-8	PAN HEAD SCREW M3X6	2				
029		266351-3	TAPPING SCREW 4X35	6				
030		422929-4	REAR BLOCK FILTER	2				
031		266351-3	TAPPING SCREW 4X35	2				
032		141L58-3	SEPARATOR COMPLETE	1				
033		266326-2	TAPPING SCREW 4X18	2				
034		267067-3	FLAT WASHER 12	1				
035		226285-2	INTERNAL GEAR 42	1				
036		226283-6	SPUR GEAR 15	3				
037		153228-0	SPUR GEAR 9 COMPLETE	1				
038		226284-4	SPUR GEAR 15	3				
039		211375-4	BALL BEARING 6805LLB	1				
040		135554-9	SPINDLE ASSEMBLY	1				
041		267464-3	FLAT WASHER 34	1				
042		684990-1	VINYL TUBE	1				
044		266326-2	TAPPING SCREW 4X18	4				
045		413B40-5	TERMINAL COVER	2				
046		266326-2	TAPPING SCREW 4X18	4				
047		183U06-0	TERMINAL CASE SET	1				
048		232722-6	TENSION SPRING 4	4				
049		632T08-2	TERMINAL UNIT	2				
050		183W98-1	TERMINAL CASE SET	1				
051		232472-3	COMPRESSION SPRING 2	4				
052		413B41-3	LOCK LEVER	4				
053		652031-1	PAN HEAD SCREW M3X6	4				
054		183X55-5	BATTERY COVER SET	1				
	C10	8059D9-7	XGT LOGO LABEL	1				
055		231456-8	COMPRESSION SPRING 7	1				
056		413K71-8	BATTERY COVER HOOK	1				
057		620J90-3	BUZZER CIRCUIT	1				
059		422926-0	RUBBER RING	1				
060		413K59-8	MOTOR HOUSING	1				
061		629B75-8	STATOR	1				
062		413K60-3	BAFFLE PLATE	1				

A:VC006GMZ03(N)

Interchange
 O : Yes
 X : No
 < : the new part can be substituted for the current.
 > : the current part can be substituted for the new.
 S : Interchangeable as a set.

IN INDIA**VC006GM / CORDLESS VACUUM CLEANER**

Item	Sub	Parts No.	Parts Description	Qty	I/C	E/C No.	Close No.	Remark
063		266326-2	TAPPING SCREW 4X18	2				
064		210022-4	BALL BEARING 626DDW	1				
065		519777-1	ROTOR ASS'Y	1				
	D10		INC. 64,66					
066		211491-2	BALL BEARING 609DDW	1				
067		413K61-1	BASE	1				
068		413K62-9	FAN BASE	1				
069		266173-1	TAPPING SCREW 5X30	3				
070		313062-2	FLANGE	1				
071		240178-9	FAN 104	1				
072		253752-4	FLAT WASHER 8	1				
073		252268-6	HEX. NUT M6	1				
074		347A40-6	FAN COVER	1				
075		422793-3	SUPPORT RING	1				
076		266326-2	TAPPING SCREW 4X18	2				
077		413K91-2	OUTER VALVE HOLDER	1				
078		141L70-3	OUTER VALVE COMPLETE	1				
079		266326-2	TAPPING SCREW 4X18	2				
080		413K91-2	OUTER VALVE HOLDER	1				
081		141L70-3	OUTER VALVE COMPLETE	1				
082		8581G7-3	VC006GM NAME PLATE	1				
083		421468-1	CORD SEAL	2				
084		266326-2	TAPPING SCREW 4X18	1				
085		413K94-6	SEAL STOPPER	1				
086		141L68-0	TANK COVER COMPLETE	1				
087		413K83-1	HOOK	2				
088		213304-3	O RING 20	1				
089		413K93-8	CAM	1				
090		413K92-0	INNER VALVE HOLDER	1				
091		266326-2	TAPPING SCREW 4X18	2				
092		141L71-1	INNER VALVE COMPLETE	1				
093		141L71-1	INNER VALVE COMPLETE	1				
094		413K92-0	INNER VALVE HOLDER	1				
095		266326-2	TAPPING SCREW 4X18	2				
096		422944-8	SEAL RING A	1				
097		638A41-8	LEAD UNIT	2				
098		422932-5	SEAL RING B	2				
099		413K75-0	FRONT STAND L	1				
100		413K76-8	FRONT STAND R	1				
101		266326-2	TAPPING SCREW 4X18	6				
102		413K84-9	INNER COVER	1				
103		266351-3	TAPPING SCREW 4X35	4				
104		413K85-7	REAR STAND	1				
105		1911B6-0	POWDER FILTER M SET	2				
106		1911B4-4	DAMPER SET	2				
107		1911B5-2	PRE FILTER SET	2				
108		413K86-5	TOP PLATE	1				
109		127480-6	LATCH ASSEMBLY	1				
110		422943-0	SEAL RING C	1				
111		266374-1	TAPPING SCREW 4X25	3				
112		266420-0	TAPPING SCREW 5X20	2				
113		422934-1	BUMPER B	1				
114		457853-2	HOLDER PLATE	1				
115		457852-4	HOLDER	1				
116		413K78-4	HOSE HOOK	2				
117		413K77-6	TANK	1				
118		649150-2	EARTH LINE 120	1				
119		421468-1	CORD SEAL	1				
120		213655-4	O RING 56	1				
121		457851-6	INLET	1				
122		413K81-5	INLET COVER	1				
123		327A50-9	JOINT PIPE 20-343	1				
124		168547-1	CASTER 75	2				
125		457862-1	DRAIN BELT	1				
126		422179-1	SEAL	1				

A:VC006GMZ03(N)

Interchange

O : Yes

X : No

< : the new part can be substituted for the current.

> : the current part can be substituted for the new.

S : Interchangeable as a set.

