



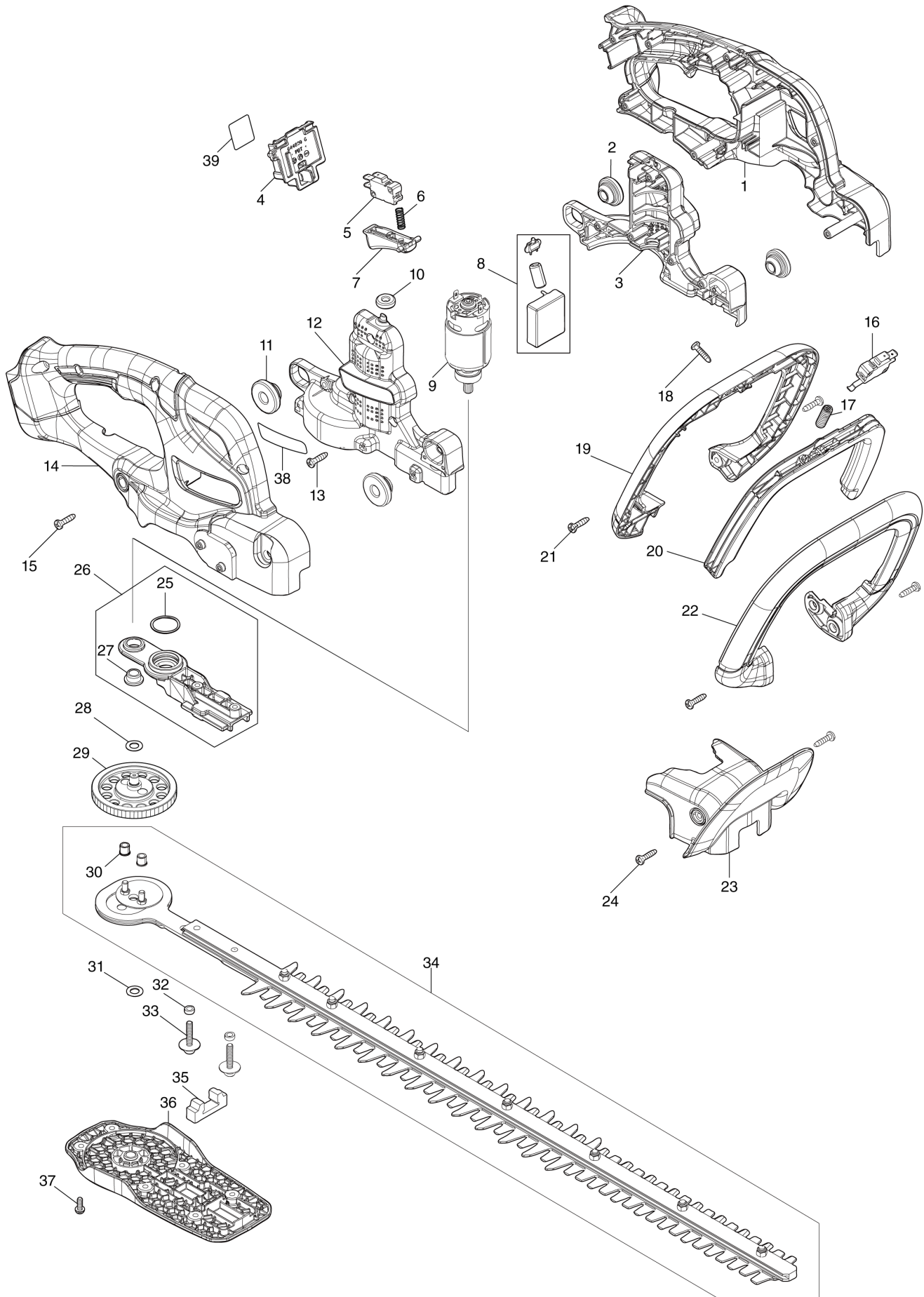
Diagram / Parts List

DUH607

600MM CORDLESS HEDGE TRIMMER



(IN) DUH607 / 600MM CORDLESS HEDGE TRIMMER



IN	INDIA
-----------	--------------

DUH607 / 600MM CORDLESS HEDGE TRIMMER

Item	Sub	Parts No.	Parts Description	Qty	I/C	E/C No.	Close No.	Remark
001		183Y38-1	HANDLE SET	1				
	C10	263005-3	RUBBER PIN 6	2				
	C20	8062W1-7	CAUTION LABEL	1				
	D10		INC. 14					
002		424394-3	RUBBER RING 8	2				
003		183X36-9	MOTOR HOUSING SET	1				
	C10	931102-0	HEX. NUT M4	6				
	D10		INC. 12					
004		644809-6	TERMINAL	1				
005		650036-5	SWITCH DMU-1212D-020	1				
006		231372-4	COMPRESSION SPRING 5	1				
007		413M81-7	SWITCH LEVER R	1				
008		620L02-8	CONTROLLER	1				
009		629B95-2	DC MOTOR	1				
010		424195-9	RUBBER RING 6	1				
011		424394-3	RUBBER RING 8	2				
012		183X36-9	MOTOR HOUSING SET	1				
	C10	931102-0	HEX. NUT M4	6				
	D10		INC. 3					
013		266326-2	TAPPING SCREW 4X18	5				
014		183Y38-1	HANDLE SET	1				
	C10	263005-3	RUBBER PIN 6	2				
	C20	8062W1-7	CAUTION LABEL	1				
	D10		INC. 1					
015		266326-2	TAPPING SCREW 4X18	6				
016		650037-3	SWITCH DMU-1212D-021	1				
017		231325-3	COMPRESSION SPRING 6	1				
018		266326-2	TAPPING SCREW 4X18	4				
019		413M89-1	FRONT GRIP COVER E	1				
020		413M90-6	SWITCH LEVER FE	1				
021		266326-2	TAPPING SCREW 4X18	4				
022		413M88-3	FRONT GRIP E	1				
023		413M82-5	PROTECTOR	1				
024		266326-2	TAPPING SCREW 4X18	2				
025		213961-7	O RING 22	1				
026		136928-7	BEARING HOUSING ASS'Y	1				
	D10		INC. 25,27					
027		214064-0	PLANE BEARING 8	1				
028		253215-0	FLAT WASHER 8	1				
029		136843-5	GEAR ASSEMBLY	1				
030		262570-9	NYLON SLEEVE 5	2				
031		253215-0	FLAT WASHER 8	1				
032		257802-7	RING 5	2				
033		265A89-3	H.S.H.BOLT M5X25 WITH WR	2				
034		1911J2-4	SHEAR BLADE 600E SET	1				
	C10	188605-7	OIL VESSEL SET	1				
	D10		INC. 30					
035		422904-0	DUST GUARD	1				
036		413M87-5	UNDER COVER	1				
037		911118-1	PAN HEAD SCREW M4X12	6				
038		8582P3-0	DUH607 NAME PLATE	1				
039		8582R0-0	DUH607 SERIAL NO.LABEL	1				
A01		413L92-6	BLADE COVER 600	1				
A02B		450128-8	BATTERY COVER	1				
A03B		***DC18WC	DC18WC BATTERY CHARGER	1				
	D10		COMPO-PARTS					
A04B		197605-6	BATTERY BL1830B SET	1				
F01		1910T1-0	CHIP RECEIVER 500 SET	1				

A:DUH607Z(N)
B:DUH607F001(H)

Interchange
O : Yes
X : No
< : the new part can be substituted for the current.
> : the current part can be substituted for the new.
S : Interchangeable as a set.