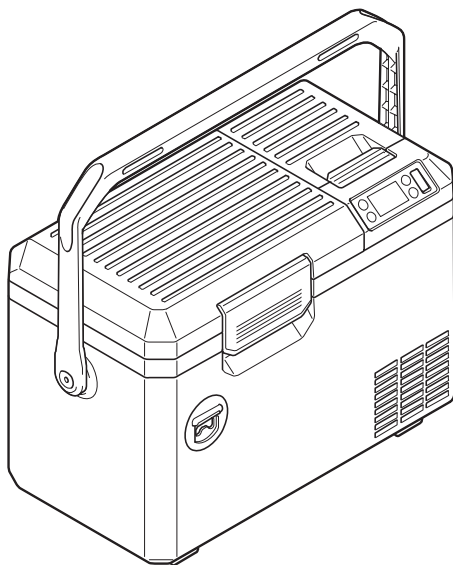


<b>EN</b>	Cordless Cooler & Warmer Box	INSTRUCTION MANUAL	4
<b>FRCA</b>	Glacière & réchaud sans fil	MANUEL D'INSTRUCTION	13
<b>ESMX</b>	Caja Enfriadora & Térmica Inalámbrica	MANUAL DE INSTRUCCIONES	22

## CW003G



**IMPORTANT:** Read Before Using.  
**IMPORTANT:** Lire avant usage.  
**IMPORTANTE:** Lea antes de usar.

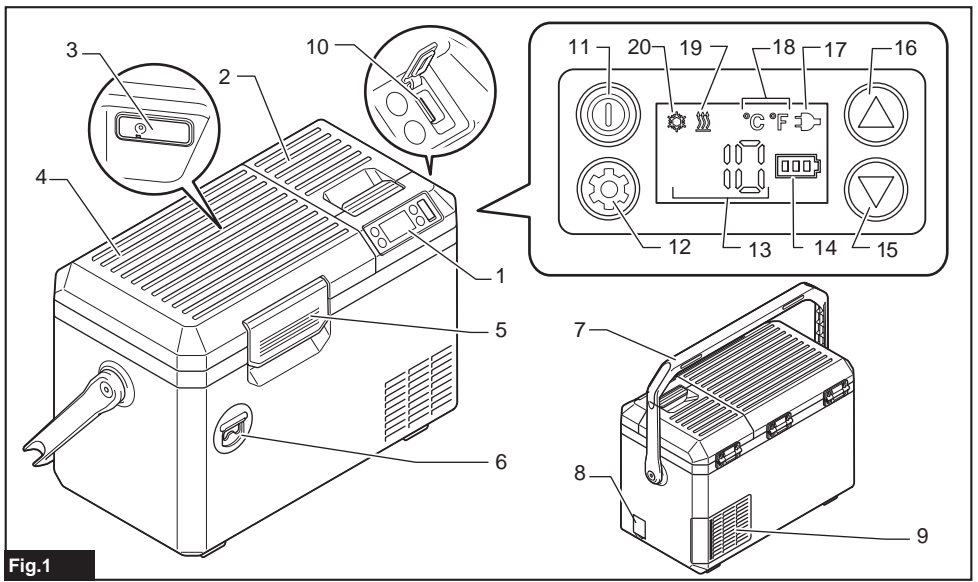


Fig.1

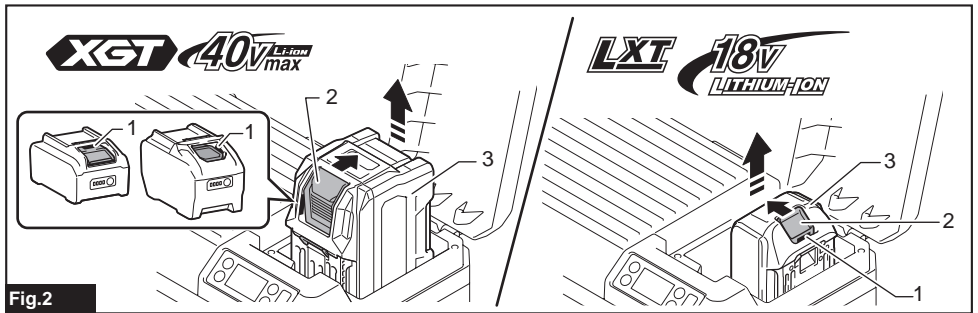


Fig.2

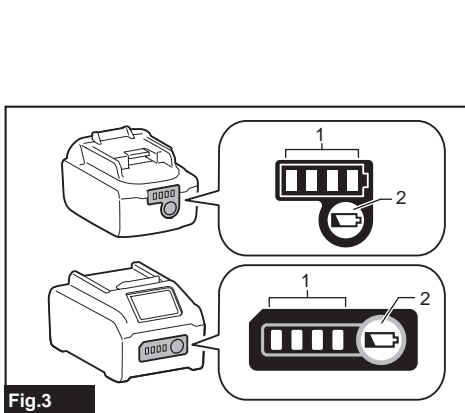


Fig.3

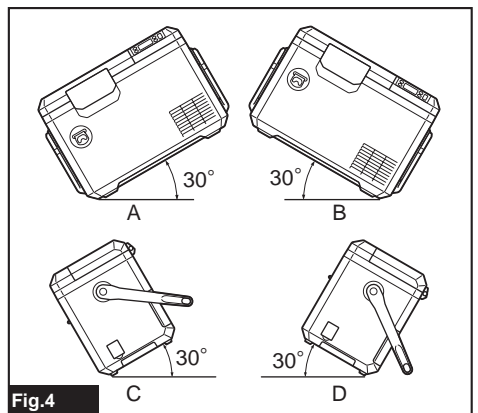


Fig.4

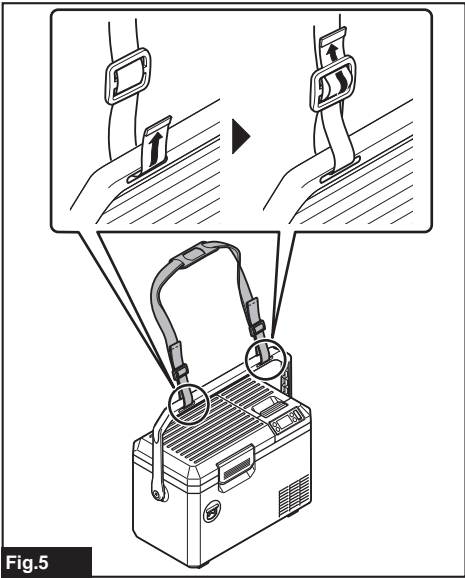


Fig.5

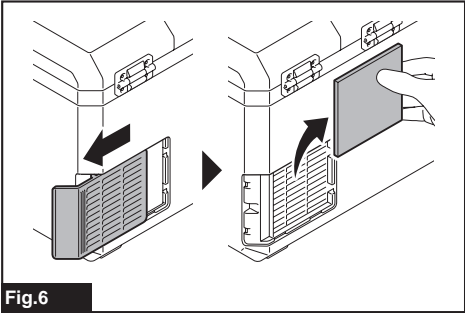


Fig.6

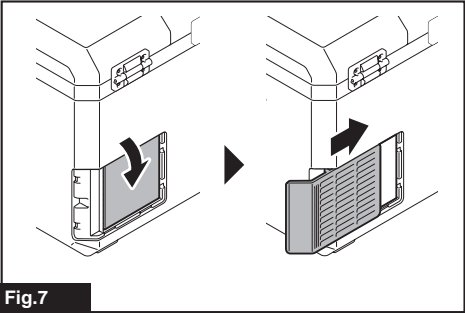


Fig.7

## SPECIFICATIONS

<b>Model:</b>		<b>CW003G</b>
Capacity		7 L (1.8 gal)
Input	Battery cartridge	D.C. 18 V / D.C. 36 V
	AC adapter (Optional accessory)	Refer the indication on the AC adapter. (Input voltage varies depending on the country.)
	Cigarette lighter adapter	D.C. 12 V / D.C. 24 V
Anti-shock protection class		III
Climate type		SN / N / ST / T
Insulation material / Foaming material		Polyurethane foam / Cyclopentane (C <sub>5</sub> H <sub>10</sub> )
Refrigerant		R-1234yf (24 g) (** lbs)
Operating power		cooling power 65 W, heating power 31 W
Dimensions ( L x W x H )	External dimensions	456 mm x 245 mm x 308 mm (18" x 9-5/8" x 12-1/8") (not including the carrying handle)
	Inside of the chamber	210 mm x 150 mm x 220 mm (8-1/4" x 5-7/8" x 8-5/8")
Net weight		9.4 kg (20.7 lbs) (with BL4080F) / 7.5 kg (16.5 lbs) (without battery)
Protection degree		IPX4 (only powered by battery pack)
Selectable control temperature	Cooling mode	-18 °C, -15 °C, -10 °C, -5 °C, 0 °C, 5 °C, 10 °C (0 °F, 5 °F, 15 °F, 25 °F, 30 °F, 40 °F, 50 °F)
	Heating mode	30 °C, 35 °C, 40 °C, 45 °C, 50 °C, 55 °C, 60 °C (85 °F, 95 °F, 105 °F, 115 °F, 120 °F, 130 °F, 140 °F)
USB power supply port		Type A / Output voltage D.C. 5 V / Output current D.C. 2.4 A

- Due to our continuing program of research and development, the specifications herein are subject to change without notice.
- Specifications may differ from country to country.

### Applicable battery cartridge and charger

D.C.18 V Model	Battery cartridge	BL1815N / BL1820B / BL1830 / BL1830B / BL1840B / BL1850B / BL1860B
	Charger	DC18RC / DC18RD / DC18RE / DC18SD / DC18SE / DC18SF / DC18SH
D.C.36 V Model	Battery cartridge	BL4020 / BL4025 / BL4040 / BL4050F / BL4080F
	Charger	DC40RA / DC40RB / DC40RC

- Some of the battery cartridges and chargers listed above may not be available depending on your region of residence.

**⚠ WARNING: Only use the battery cartridges and chargers listed above.** Use of any other battery cartridges and chargers may cause injury and/or fire.

## Operating time

**NOTE:** Operating times are approximate and may differ depending on battery type, charging status, and usage condition.

Voltage	Battery cartridge	Operating time for each control temperature (hours)								
		Ambient temperature is 30 °C (85 °F)					Ambient temperature is 0 °C (30 °F)			
		-18 °C (0 °F)	-10 °C (15 °F)	0 °C (30 °F)	5 °C (40 °F)	10 °C (50 °F)	30 °C (85 °F)	40 °C (105 °F)	50 °C (120 °F)	60 °C (140 °F)
18 V	BL1815N	0.5	1.0	1.5	2.0	2.5	1.5	1.5	1.0	1.0
	BL1820B	1.0	1.5	2.0	2.5	3.0	2.5	2.0	1.5	1.5
	BL1830 / BL1830B	1.5	2.0	2.5	3.5	4.5	3.5	2.5	2.5	2.0
	BL1840B	2.5	3.5	4.0	5.5	6.5	5.0	3.5	3.5	3.0
	BL1850B	3.0	4.5	5.0	7.0	8.5	6.5	4.5	4.5	4.0
	BL1860B	3.5	5.0	6.0	8.5	10.0	7.5	6.0	5.0	4.5
36 V	BL4020	2.5	3.0	5.5	6.5	7.5	5.0	4.0	3.0	2.5
	BL4025	3.5	4.0	7.0	8.5	10.0	6.5	5.0	3.5	3.5
	BL4040	5.5	7.0	11.5	13.5	16.0	10.5	8.0	6.0	5.5
	BL4050F	7.0	8.5	14.0	16.5	20.0	13.5	10.0	7.5	7.0
	BL4080F	11.5	14.0	23.0	27.0	32.0	21.5	16.5	12.0	11.5

## Symbols

The followings show the symbols which may be used for the equipment. Be sure that you understand their meaning before use.



Caution: risk of fire.



Do not fill the water directly in the chamber. Do not immerse the appliance in water. Do not pour water on the appliance. Otherwise electric shock or malfunction may occur.

## SAFETY WARNINGS

- This appliance is not intended for use by persons (including children) with reduced physical, sensory or mental capabilities, or lack of experience and knowledge, unless they have been given supervision or instruction concerning use of the appliance by a person responsible for their safety. Children should be supervised to ensure that they do not play with the appliance.**
- The device is suitable for:**
  - Operation in vehicles.
  - Cooling and deep-freezing food.
  - Camping use only when the appliance powered by battery pack.
- This appliance uses FLAMMABLE REFRIGERANTS. Read and follow this instructions for handling. Ask our service center for servicing. When disposing the appliance, follow your local regulations relating to disposal of FLAMMABLE REFRIGERANTS.**
- WARNING: Keep ventilation openings in the appliance enclosure clear of obstruction.**
- WARNING: Do not use mechanical devices or other means to accelerate the defrosting process, other than those recommended by the manufacturer.**
- WARNING: Do not damage the refrigerant circuit.**
- WARNING: Do not use electrical appliances inside the food storage compartments of the appliance, unless they are of the type recommended by the manufacturer.**
- This appliance contains flammable insulation blowing gases inside. When disposing the appliance, follow your local regulations relating to disposal of flammable insulation blowing gases.**
- Do not store explosive substances such as aerosol cans with a flammable propellant in this appliance.**
- This appliance is intended to be used in household and similar applications such as**
  - staff kitchen areas in shops, offices and other working environments;
  - farm houses and by clients in hotels, motels and other residential type environments;
  - bed and breakfast type environments;
  - catering and similar non-retail applications.

11. If the SUPPLY CORD is damaged, it must be replaced by a special cord or assembly available from the manufacturer or its service agent.
12. **WARNING: Risk of child entrapment.** Before you throw away your old refrigerator or freezer:  
\* Take off the doors.
13. The installation clearance around and above the unit shall be no less than 15 mm.
14. When positioning the appliance, ensure the power cord is not tapped or damaged.
15. Do not locate multiple portable socket-outlets or portable power supplies at the rear of the appliance.

## IMPORTANT NOTICES

1. Read the instruction manual carefully before use.
2. Check if the voltage range used is the same as that marked on the nameplate, whether the power cord plug is match the socket, and ensure that the socket is well grounded.
3. Even if the appliance is not in use, do not place the appliance upside down, or tilt it above 15°. Otherwise malfunction may occur.
4. When carrying the appliance, keep the appliance with the upper cover facing up. Do not carry the appliance with upside down. Otherwise malfunction may occur.
5. Do not immerse the appliance in water or other liquid to prevent electric shock. Do not expose to rain.
6. When cleaning or not in use, remove the battery and unplug the power plug.
7. Any accessories not recommended by the manufacturer may not be used.
8. Do not place the appliance in hot places such as in a car under the sun or near heating materials. Cooling performance may be reduced, or a gas leak may cause a fire.
9. Do not place the appliance near gas appliances. Cooling performance may be reduced, or a gas leak may cause a fire.
10. Do not start the power button frequently (at least 5 minutes each time) to avoid damage to the compressor.
11. Do not insert metal foil or other conductive materials into the appliance to prevent fire or short circuit.
12. Do not use chemical washing liquids and hard tools to clean the product.
13. Insert the plug completely into the "DC IN" inlet. Failure to do so may deform the plug or cause a fire.
14. Do not operate the appliance while driving. Doing so may cause an accident.
15. When the remaining automobile battery capacity gets small, use the appliance with the engine running. After using the appliance, unplug the cigarette lighter socket to prevent the loading on the automobile battery.
16. Do not use the AC adapter outdoors. Otherwise electric shock may occur.
17. Do not abuse the AC adapter and cigarette lighter adapter.
18. Clean the plug of the AC adapter and cigarette lighter adapter. Dirt such as water or salt adhering to the plug may cause rust and result poor conductivity, deformation or fire.
19. Do not touch the plug of the AC adapter and cigarette lighter adapter immediately after operation. They may be extremely hot and could burn your skin.
20. Do not disassemble the appliance.
21. Do not charge the car battery while using the appliance. Unacceptable voltage may be applied to the product, resulting in failure or fire.
22. Do not use flammable sprayer near the appliance. Otherwise it may cause fire.
23. During operation, do not touch the contents, especially those made of metal, inside the appliance with wet hands. Doing so may cause frostbite.
24. Do not handle the plug with wet or greasy hand. Doing so may cause electric shock.
25. Do not put such as medicines or academic materials in the appliance. This appliance cannot storage the materials that require strict temperature control.
26. Do not use this product as a stepstool or chair. It may cause falls and injuries.
27. Do not allow small children and pets to play with this appliance. Keep the appliance out of reach of children when storing.
28. Do not overflow food and drink in the appliance. Cooling performance may be reduced, causing food and drink to rot.
29. Be careful not to run out of battery power while keeping food and drink cool or warm. Do not store opened foods for a long time. Food and drink may rot.
30. Do not use a knife or a screwdriver to remove ice or frost from the appliance. Doing so may damage the inside of the appliance and cause a malfunction, or the enclosed gas or oil may squirt.
31. Do not use the DC output (DC) of the engine generator as the power supply. Doing so may cause a failure.
32. Do not put water etc. directly in the appliance. Water may get inside the appliance and cause a malfunction. If water has accumulated in the chamber, wipe it off with a soft cloth.
33. Be careful not to pinch your finger when closing and opening the upper cover.
34. Do not put things that are easily perishable in the chamber. The food or drink may rot.

35. **When operating heating mode, do not touch the inside of the appliance with your hand for a long time.** Risk of low-temperature burns.
36. **When putting food or drink in the appliance, keep the inside of the chamber clean.** Risk of food poisoning etc.
37. **Do not use this appliance in the refrigerator vehicle or refrigerator chamber.** Dew condensation easily occurs in the refrigerator vehicle and refrigerator chamber, causing water droplets to fall on the appliance and result in malfunctions.
38. **Do not put creatures such as pets in the appliance.** This appliance cannot save creatures.
39. **Do not put a cold agent in a broken bag.** If the cold agent leak in the appliance, the metal part of the appliance may be corroded. If the cold agent leaks, wipe it off with a damp soft cloth and then wipe dry with a soft cloth.
40. **Attach the shoulder band securely so that it does not drop off due to the weight of the appliance.** Otherwise the appliance may fall and cause injury.
41. **When putting food and drink in the appliance, put a cold or hot thing in advance.** This appliance cannot cool or heat in a short time.
42. **When using the appliance in a car, be sure to install the appliance in a stable place such as the luggage space or the feet of the rear seats, and fix it. Do not place the appliance on the seat in an unstable state.** If the car suddenly starts or stops during driving, the appliance may fall over and move, causing injury.
43. **Hold the appliance firmly when carrying.** Otherwise the appliance may fall and cause a malfunction, or falling on your feet may cause injury.
44. **When using in dusty environment, clean the sponge filter more often.** Dusty environment causes sponge filter clogging easily and fire.
2. **Disconnect the battery pack from the appliance before making any adjustments, changing accessories, or storing appliance.** Such preventive safety measures reduce the risk of starting the appliance accidentally.
3. **Recharge only with the charger specified by the manufacturer.** A charger that is suitable for one type of battery pack may create a risk of fire when used with another battery pack.
4. **Use appliances only with specifically designated battery packs.** Use of any other battery packs may create a risk of injury and fire.
5. **When battery pack is not in use, keep it away from other metal objects, like paper clips, coins, keys, nails, screws or other small metal objects, that can make a connection from one terminal to another.** Shorting the battery terminals together may cause burns or a fire.
6. **Under abusive conditions, liquid may be ejected from the battery; avoid contact. If contact accidentally occurs, flush with water. If liquid contacts eyes, additionally seek medical help.** Liquid ejected from the battery may cause irritation or burns.
7. **Do not use a battery pack or appliance that is damaged or modified.** Damaged or modified batteries may exhibit unpredictable behaviour resulting in fire, explosion or risk of injury.
8. **Do not expose a battery pack or appliance to fire or excessive temperature.** Exposure to fire or temperature above 130 °C may cause explosion.
9. **Follow all charging instructions and do not charge the battery pack or appliance outside the temperature range specified in the instructions.** Charging improperly or at temperatures outside the specified range may damage the battery and increase the risk of fire.
10. **Have servicing performed by a qualified repair person using only identical replacement parts.** This will ensure that the safety of the product is maintained.
11. **Do not modify or attempt to repair the appliance or the battery pack except as indicated in the instructions for use and care.**

## SAFETY WARNINGS for BATTERY-OPERATED APPLIANCE

### Battery-operated appliance use and care

1. **Prevent unintentional starting.** Ensure the switch is in the off-position before connecting to battery pack, picking up or carrying the appliance. Carrying the appliance with your finger on the switch or energizing appliance that have the switch on invites accidents.

### Important safety instructions for battery cartridge

1. **Before using battery cartridge, read all instructions and cautionary markings on (1) battery charger, (2) battery, and (3) product using battery.**
2. **Do not disassemble or tamper with the battery cartridge.** It may result in a fire, excessive heat, or explosion.
3. **If operating time has become excessively shorter, stop operating immediately.** It may result in a risk of overheating, possible burns and even an explosion.

4. **If electrolyte gets into your eyes, rinse them out with clear water and seek medical attention right away. It may result in loss of your eyesight.**
5. **Do not short the battery cartridge:**
  - (1) **Do not touch the terminals with any conductive material.**
  - (2) **Avoid storing battery cartridge in a container with other metal objects such as nails, coins, etc.**
  - (3) **Do not expose battery cartridge to water or rain.**

**A battery short can cause a large current flow, overheating, possible burns and even a breakdown.**
6. **Do not store and use the appliance and battery cartridge in locations where the temperature may reach or exceed 50 °C (122 °F).**
7. **Do not incinerate the battery cartridge even if it is severely damaged or is completely worn out. The battery cartridge can explode in a fire.**
8. **Do not nail, cut, crush, throw, drop the battery cartridge, or hit against a hard object to the battery cartridge.** Such conduct may result in a fire, excessive heat, or explosion.
9. **Do not use a damaged battery.**
10. **The contained lithium-ion batteries are subject to the Dangerous Goods Legislation requirements.**

For commercial transports e.g. by third parties, forwarding agents, special requirement on packaging and labeling must be observed. For preparation of the item being shipped, consulting an expert for hazardous material is required. Please also observe possibly more detailed national regulations.

Tape or mask off open contacts and pack up the battery in such a manner that it cannot move around in the packaging.
11. **When disposing the battery cartridge, remove it from the appliance and dispose of it in a safe place. Follow your local regulations relating to disposal of battery.**
12. **Use the batteries only with the products specified by Makita.** Installing the batteries to non-compliant products may result in a fire, excessive heat, explosion, or leak of electrolyte.
13. **If the appliance is not used for a long period of time, the battery must be removed from the appliance.**
14. **During and after use, the battery cartridge may take on heat which can cause burns or low temperature burns. Pay attention to the handling of hot battery cartridges.**
15. **Do not touch the terminal of the appliance immediately after use as it may get hot enough to cause burns.**
16. **Do not allow chips, dust, or soil stuck into the terminals, holes, and grooves of the battery cartridge.** It may result in poor performance or breakdown of the appliance or battery cartridge.
17. **Unless the appliance supports the use near high-voltage electrical power lines, do not use the battery cartridge near high-voltage electrical power lines.** It may result in a malfunction or breakdown of the appliance or battery cartridge.
18. **Keep the battery away from children.**

## SAVE THESE INSTRUCTIONS.

**⚠ CAUTION:** Only use genuine Makita batteries. Use of non-genuine Makita batteries, or batteries that have been altered, may result in the battery bursting causing fires, personal injury and damage. It will also void the Makita warranty for the Makita appliance and charger.

## Tips for maintaining maximum battery life

1. **Charge the battery cartridge before completely discharged. Always stop appliance operation and charge the battery cartridge when you notice less appliance power.**
2. **Never recharge a fully charged battery cartridge. Overcharging shortens the battery service life.**
3. **Charge the battery cartridge with room temperature at 10 °C - 40 °C (50 °F - 104 °F). Let a hot battery cartridge cool down before charging it.**
4. **When not using the battery cartridge, remove it from the appliance or the charger.**
5. **Charge the battery cartridge if you do not use it for a long period (more than six months).**



# PARTS DESCRIPTION

► Fig.1

1	Control panel	2	Battery cover
3	LED light	4	Upper cover
5	Upper cover hook	6	Opener
7	Carrying handle	8	"DC IN" socket
9	Filter cover	10	USB power supply port
11	Power button	12	Cool / heat switch button
13	Temperature display	14	Battery indicator
15	Temperature reduction button	16	Temperature plus button
17	Lamp of "DC IN"	18	Unit of temperature
19	Lamp of heating mode	20	Lamp of cooling mode

# OPERATION

**CAUTION:** Do not put things that are easily perishable in the chamber. The food or drink may rot.

**NOTE:** When operating the appliance in high humid environment, dew condensation may occur on the appliance. This is not malfunction of the appliance. Use a dry cloth to wipe the dew condensation off the appliance.

## 1. Connecting the power supply

### A) Battery

**CAUTION:** Always switch off the appliance before installing or removing the battery cartridge.

**CAUTION:** Hold the appliance and the battery cartridge firmly when installing or removing battery cartridge. Failure to hold the appliance and the battery cartridge firmly may cause them to slip off your hands and result in damage to the appliance and battery cartridge and a personal injury.

**CAUTION:** Be careful not to pinch your finger when opening or closing the battery cover.

**CAUTION:** Be careful not to pinch your fingers between the battery cartridge and the terminals. It may cause slash injury.

To install the battery cartridge, open the battery cover. Align the tongue on the battery cartridge with the groove in the housing and slip it into place. Insert it all the way until it locks in place with a little click.

Then close the battery cover.

To remove the battery cartridge, slide it from the appliance while sliding the button on the front of the cartridge.

► Fig.2 1. Red indicator 2. Button 3. Battery cartridge

**CAUTION:** Always install the battery cartridge fully until the red indicator cannot be seen. If not, it may accidentally fall out of the appliance, causing injury to you or someone around you.

**CAUTION:** Do not install the battery cartridge forcibly. If the cartridge does not slide in easily, it is not being inserted correctly.

### B) AC adapter (Only use for recreational vehicle)

#### Optional accessory

When using the appliance with AC power, use the AC adapter supplied with the appliance. Insert the plug to "DC IN" inlet of the appliance and then insert the other end to an outlet.

When the appliance is operating with power from AC adapter, the lamp of "DC IN" lights up.

### C) Cigarette lighter adapter

When using the appliance with the cigarette lighter socket, use the cigarette lighter adapter supplied with the appliance. Insert the plug to "DC IN" inlet of the appliance and then insert the other end to the cigarette lighter socket.

When the appliance is operating with power from cigarette lighter adapter, the lamp of "DC IN" lights up.

**CAUTION:** Insert the plug completely into the "DC IN" inlet. Failure to do so may deform the plug or cause a fire.

**CAUTION:** Always close the "DC IN" socket cover firmly when the power cord is not plugged. Otherwise foreign matter may enter the appliance and cause a malfunction.

**NOTE:** When the appliance shifts power supply, the compressor will stop for about 3 minutes to protect the compressor.

**NOTE:** After turning off the appliance, it takes about 3 minutes to restart the compressor because of the protection of the compressor.

**NOTE:** If the appliance stops by any means other than pressing the power button, the appliance turns on automatically when the power supply of the AC adapter or the cigarette lighter adapter is regained.

## 2. Turning on the appliance

Press the power button to turn on the appliance. Press the power button again to turn off the appliance.

## 3. Switching cooling / heating mode

Press the cool / heat switch button to switch the operating mode.

- When the appliance operates in cooling mode, the lamp of cooling mode lights up.
- When the appliance operates in heating mode, the lamp of heating mode lights up.

The temperature display flashes the control temperature.

## 4. Selecting the control temperature

Press the temperature plus button or the temperature reduction button to select the control temperature. Refer the chapter "SPECIFICATIONS" for the selectable control temperature.

The appliance starts cooling / heating 5 seconds after without any operation, then the control temperature stop flashing and the temperature display shows the current temperature.

The appliance stops cooling / heating when the current temperature reaches the control temperature.

## Tips for efficient cooling

- Opening the upper cover for long periods can cause significant increase of the temperature in the chamber.
- Regularly clean surfaces that can come in contact with food and accessible drainage systems.
- Store raw meat and fish in suitable containers in the chamber, so that it is not in contact with or drip onto other food.
- If the chamber is left empty for long periods:
  - Switch off the appliance.
  - Defrost the chamber.
  - Clean and dry the chamber.
  - Leave the upper cover open to prevent mold developing within the chamber.

# FUNCTION

## Indicating the remaining battery capacity

The battery indicator shows the remaining battery capacity. The remaining battery capacity is shown as the following table.

Battery indicator status		Remaining capacity
Lighted	Off	
		50% to 100%
		20% to 50%
		0% to 20%
		Charge the battery.

## (Only for battery cartridges with the indicator)

Press the check button on the battery cartridge to indicate the remaining battery capacity. The indicator lamps light up for a few seconds.

► Fig.3 1. Indicator lamps 2. Check button

Indicator lamps			Remaining capacity
Lighted	Off	Blinking	
			75% to 100%
			50% to 75%
			25% to 50%
			0% to 25%
			Charge the battery.
			The battery may have malfunctioned.

**NOTE:** Depending on the conditions of use and the ambient temperature, the indication may differ slightly from the actual capacity.

**NOTE:** The first (far left) indicator lamp will blink when the battery protection system works.

## Appliance / battery protection system

The appliance is equipped with the protection system. This system automatically cuts off power to extend appliance and battery life. The appliance will automatically stop during operation if the appliance or battery is placed under one of the following conditions.

- **Battery over discharge protection**  
When the battery capacity becomes low, the appliance stops automatically. The battery indicator prompts that the battery should be charged. Remove the batteries from the appliance and charge the batteries.
- **Overcurrent protection**  
When the appliance / battery is operated in a manner that causes it to draw an abnormally high current, the appliance automatically stops. In this situation, stop the application that caused the appliance to become overloaded. Then turn the appliance on to restart.
- **Low-voltage protection**  
When the car input voltage is lower than the rated voltage, this protection system turns off the appliance and the temperature display shows "F3" with beep sound.
- **Over-voltage protection**  
When the input voltage is higher than the rated voltage, this protection system turns off the appliance and the temperature display shows "F4" with beep sound.
- **Short circuit protection**  
The circuit has short circuit protection function in case of short circuit. In this situation, take the appliance to Makita Authorized or Factory Service Centers.
- **Tilt protection function**  
The appliance is equipped with the tilt protection function. When operating the appliance in cooling mode, the appliance will automatically shuts down if the appliance is placed under one of the following angles.  
When the appliance get equal to or greater than 30° from level angle as shown A, B, C, or D in the figure, the appliance shuts down and the temperature display shows "F1" for a while. It takes 3 minutes to restart after the appliance back in level position.  
▶ Fig.4

## Protections against other causes

Protection system is also designed for other causes that could damage the appliance and allows the appliance to stop automatically. Take all the following steps to clear the causes, when the appliance has been brought to a temporary halt or stop in operation.

1. Turn the appliance off, and then turn it on again to restart.
2. Charge the battery(ies) or replace it/them with recharged battery(ies).
3. Let the appliance and battery(ies) cool down.

If no improvement can be found by restoring protection system, then contact your local Makita Service Center.

## USB charging

There is the USB port in the battery compartment. The USB port continuously outputs 5 V voltage in operation state.

**NOTICE:** Connect only devices which are compatible with the USB power supply port. Otherwise it may cause malfunction to the appliance.

**NOTICE:** Do not connect the USB power supply port of this appliance to the USB terminal of your computer. It may cause malfunction.

**NOTICE:** Before connecting USB device to the appliance, always backup your data of USB device. Otherwise your data may be lost by any possibility.

**NOTICE:** When not using or after charging, remove the USB cable and close the cover.

**NOTE:** The appliance may not supply power to some USB devices.

## Memory function

After setting the control temperature, if the user does not operate within 5 seconds, the current setting will be memorized. Next time, the appliance starts in the same setting.

## Switching the unit of temperature

You can switch the unit of temperature °C (degree Celsius) or °F (degree Fahrenheit) by following procedure.

1. Turn on the appliance.
2. Press the cool / heat switch button until the unit (°C or °F) starts flashing.
3. Press the temperature plus button or the temperature reduction button to select unit.
4. Press the cool / heat switch button, or leave the appliance 5 seconds without any operation. The unit selection is completed.

## Shoulder belt

**⚠ CAUTION:** Make sure the shoulder belt securely attached properly. Otherwise falling accident may occur.

**⚠ CAUTION:** When carrying the appliance, keep holding the appliance even if when using the shoulder belt. Carrying the appliance using only the shoulder belt makes it unstable. The shoulder belt may come off or the appliance hit other objects and cause injury.

1. Put the belt through the carrying handle.
2. Buckle the belt.

▶ Fig.5

## Error code

For the specific errors, the temperature display shows following code.

Error code	Matter
F1	Tilt protection is active. Refer the section for the tilt protection function.
F2	Running out of battery.
F3	Input voltage is low. Refer the paragraph for the low-voltage protection.
F4	Input voltage is high. Refer the paragraph for the over-voltage protection.
Error codes other than the above	Turn off and restart the appliance. If the error still does not improve, take the appliance to Makita Authorized or Factory Service Centers.

## MAINTENANCE

**⚠ CAUTION:** Always be sure that the appliance is switched off, unplugged, and the battery cartridge is removed before attempting to perform inspection or maintenance.

**⚠ CAUTION:** Do not spray or pour water on the appliance when cleaning. Do not wash with a hose; avoid getting water inside of the appliance.

**NOTICE:** Never use gasoline, benzine, thinner, alcohol or the like. Discoloration, deformation or cracks may result.

To maintain product SAFETY and RELIABILITY, repairs, any other maintenance or adjustment should be performed by Makita Authorized or Factory Service Centers, always using Makita replacement parts.

## Cleaning

- Clean the oil stain in the chamber regularly.
- Clean around the interior of the chamber to prevent odor.
- Clean the dust on the sponge filter regularly to improve the refrigeration efficiency.
- The sealing strip of the upper cover is easy to get dirty, clean it in time.

## Defrosting

To defrost, turn off the power and wait until the frost has melted. Then wipe off the water.

## Cleaning the sponge filter

**⚠ CAUTION:** After cleaning the sponge filter, be sure to install it on the appliance. Operating the appliance without the sponge filter may cause malfunction.

1. Slide the filter cover in the direction of the arrow shown in the figure, and then take the filter cover off.
2. Take off the sponge filter, clean the sponge filter.
3. Install the sponge filter and the filter cover back.

▶ Fig.6

▶ Fig.7

## OPTIONAL ACCESSORIES

**⚠ CAUTION:** These accessories or attachments are recommended for use with your Makita tool specified in this manual. The use of any other accessories or attachments might present a risk of injury to persons. Only use accessory or attachment for its stated purpose.

If you need any assistance for more details regarding these accessories, ask your local Makita Service Center.

- AC adapter
- Makita genuine battery and charger

**NOTE:** Some items in the list may be included in the tool package as standard accessories. They may differ from country to country.

## MAKITA LIMITED WARRANTY

Please refer to the annexed warranty sheet for the most current warranty terms applicable to this product. If annexed warranty sheet is not available, refer to the warranty details set forth at below website for your respective country.

United States of America: [www.makitatools.com](http://www.makitatools.com)

Canada: [www.makita.ca](http://www.makita.ca)

Other countries: [www.makita.com](http://www.makita.com)

# SPÉCIFICATIONS

<b>Modèle :</b>		<b>CW003G</b>
<b>Capacité</b>		7 L (1,8 gal)
<b>Entrée</b>	Cartouche de pile	C.C. 18 V / C.C. 36 V
	Adaptateur CA (Accessoire optionnel)	En référence à l'indication sur l'adaptateur CA. (La tension d'entrée change dépendant du pays.)
	Adaptateur d'allume-cigare	C.C. 12 V / C.C. 24 V
<b>Classe de protection antichoc</b>		III
<b>Type de climat</b>		SN / N / ST / T
<b>Matériau isolé / Matériau moussant</b>		Mousse de polyuréthane / Cyclopentane (C <sub>5</sub> H <sub>10</sub> )
<b>Réfrigérant</b>		R-1234yf (24 g) (***) livres)
<b>Puissance d'exploitation</b>		puissance de refroidissement de 65 W, puissance de chauffage de 31 W
<b>Dimensions (L x l x H)</b>	<b>Dimensions externes</b>	456 mm x 245 mm x 308 mm (18" x 9-5/8" x 12-1/8") (poignée de transport exclue)
	À l'intérieur de la chambre	210 mm x 150 mm x 220 mm (8-1/4" x 5-7/8" x 8-5/8")
<b>Poids net</b>		9,4 kg (20,7 livres) (avec BL4080F) / 7,5 kg (16,5 livres) (sans batterie)
<b>Degré de protection</b>		IPX4 (seulement alimenté par le bloc-batterie)
<b>Température de commande sélectionnable</b>	<b>Mode de refroidissement</b>	-18 °C, -15 °C, -10 °C, -5 °C, 0 °C, 5 °C, 10 °C (0 °F, 5 °F, 15 °F, 25 °F, 30 °F, 40 °F, 50 °F)
	<b>Mode de chauffage</b>	30 °C, 35 °C, 40 °C, 45 °C, 50 °C, 55 °C, 60 °C (85 °F, 95 °F, 105 °F, 115 °F, 120 °F, 130 °F, 140 °F)
<b>Port de source d'alimentation USB</b>		Type A / Tension de sortie C.C. 5 V / Courant de sortie C.C. 2,4 A

- En raison de notre programme de recherche et développement en continu, les spécifications ci-incluses peuvent être modifiées sans préavis.
- Les caractéristiques techniques peuvent varier d'un pays à l'autre.

## Cartouche et chargeur de pile applicables

Modèle C.C. 18 V	Cartouche de pile	BL1815N / BL1820B / BL1830 / BL1830B / BL1840B / BL1850B / BL1860B
	Chargeur	DC18RC / DC18RD / DC18RE / DC18SD / DC18SE / DC18SF / DC18SH
Modèle C.C. 36 V	Cartouche de pile	BL4020 / BL4025 / BL4040 / BL4050F / BL4080F
	Chargeur	DC40RA / DC40RB / DC40RC

- Certains chargeurs et certaines cartouches de batterie répertoriées ci-dessus peuvent ne pas être disponibles selon votre région de résidence.

**⚠ AVERTISSEMENT : Utilisez uniquement les cartouches de batterie et les chargeurs répertoriés ci-dessus.** L'utilisation de toute autre cartouche de pile et chargeur peut provoquer des blessures et/ou un incendie.

## Durée de fonctionnement

**REMARQUE :** Les temps d'exploitation pourraient varier selon le type de batterie, l'état de charge, et la condition d'utilisation.

Tension électrique	Cartouche de pile	Temps d'exploitation pour chaque température de commande (heures)								
		La température ambiante est de 30 °C (85 °F)					La température ambiante est de 0 °C (30 °F)			
		18 °C (0 °F)	-10 °C (15 °F)	0 °C (30 °F)	5 °C (40 °F)	10 °C (50 °F)	30 °C (85 °F)	40 °C (105 °F)	50 °C (120 °F)	60 °C (140 °F)
18 V	BL1815N	0,5	1,0	1,5	2,0	2,5	1,5	1,5	1,0	1,0
	BL1820B	1,0	1,5	2,0	2,5	3,0	2,5	2,0	1,5	1,5
	BL1830 / BL1830B	1,5	2,0	2,5	3,5	4,5	3,5	2,5	2,5	2,0
	BL1840B	2,5	3,5	4,0	5,5	6,5	5,0	3,5	3,5	3,0
	BL1850B	3,0	4,5	5,0	7,0	8,5	6,5	4,5	4,5	4,0
	BL1860B	3,5	5,0	6,0	8,5	10,0	7,5	6,0	5,0	4,5
36 V	BL4020	2,5	3,0	5,5	6,5	7,5	5,0	4,0	3,0	2,5
	BL4025	3,5	4,0	7,0	8,5	10,0	6,5	5,0	3,5	3,5
	BL4040	5,5	7,0	11,5	13,5	16,0	10,5	8,0	6,0	5,5
	BL4050F	7,0	8,5	14,0	16,5	20,0	13,5	10,0	7,5	7,0
	BL4080F	11,5	14,0	23,0	27,0	32,0	21,5	16,5	12,0	11,5

## Symboles

Le texte ci-après montre les symboles pouvant être utilisés pour l'équipement. Assurez-vous de bien comprendre leur signification avant de les utiliser.



Attention : le risque d'incendie.



Veillez ne pas remplir directement l'eau dans la chambre. Veillez ne pas immerger l'appareil dans l'eau. Veillez ne pas mettre l'eau dans l'appareil. Autrement, l'électrocution ou le dysfonctionnement pourrait se produire.

## AVERTISSEMENTS DE SÉCURITÉ

- Le présent appareil n'est pas destiné aux personnes (incluant les enfants) ayant les capacités physiques, sensorielles ou mentales réduites ou le manque d'expérience et de connaissance, à moins d'avoir reçu la supervision ou l'instruction sur l'utilisation de l'appareil par une personne responsable de sa sécurité. Les enfants doivent être supervisés pour ne pas jouer avec l'appareil.
- Le dispositif est adaptable pour :
  - L'exploitation dans les véhicules.
  - Le refroidissement et la surgélation de l'aliment.
  - L'utilisation pour le camping seulement quand l'appareil est alimenté par le bloc-batterie.
- Le présent appareil utilise les **RÉFRIGÉRANTS INFLAMMABLES**. Lisez et observez ces instructions de manipulation. Consultez auprès de notre centre de service visant à l'entretien. Au cours de l'élimination de l'appareil, observez les règlements locaux relatifs à l'élimination des **RÉFRIGÉRANTS INFLAMMABLES**.
- AVERTISSEMENT : Maintenez les ouvertures de la ventilation dans l'enveloppe de l'appareil dégageant l'obstruction.**
- AVERTISSEMENT : Veillez ne pas utiliser les dispositifs mécaniques ou les autres moyens afin d'accélérer le processus de dégivrage, autres que ceux proposés par le fabricant.**
- AVERTISSEMENT : Veillez ne pas endommager le circuit de réfrigérant.**
- AVERTISSEMENT : Veillez ne pas utiliser les appareils électriques à l'intérieur des compartiments de stockage de l'aliment de l'appareil, sauf s'ils sont le type proposé par le fabricant.**
- Le présent appareil contient l'isolant inflammable, il souffle les gaz à l'intérieur. Au cours de l'élimination de l'appareil, observez vos règlements locaux relatifs à l'élimination des gaz inflammables de soufflage de l'isolant.
- Veillez ne pas stocker les substances explosives, par exemple, les bombes aérosols avec un propulseur inflammable dans le présent appareil.
- Le présent appareil est destiné à être utilisé dans les applications domestiques et similaires, par exemple
  - Les cuisines du personnel dans les magasins, les bureaux ainsi que les autres environnements de travail;
  - Les maisons de ferme et par les clients dans les hôtels, les motels et les autres environnements de type résidentiel;
  - Les environnements de type d'hébergement et de petit déjeuné;
  - La restauration et les applications similaires autres celles de vente au détail.

11. Si le **CORDON D'ALIMENTATION** est endommagé, il doit être remplacé par le cordon ou l'assemblage spécial disponible chez le fabricant ou son agent de service.
12. **AVERTISSEMENT** : Le risque de piégeage des enfants. Avant de mettre au rebut votre ancien réfrigérateur ou congélateur :  
\* Retirez les portes.
13. L'espace libre de l'installation autour et en dessus de l'unité ne devra pas être moins de 15 mm.
14. Au cours de la localisation de l'appareil, assurez que le cordon d'alimentation n'est pas tarauté ou endommagé.
15. Veuillez ne pas localiser plusieurs prises de courant portables ou alimentations électriques portables au niveau arrière de l'appareil.
12. Pour nettoyer le produit, ne pas utiliser les liquides de lavage chimiques et les outils durs.
13. Insérez entièrement la fiche dans l'entrée "ENTRÉE CC". Le défaut de respect de faire comme ça pourrait déformer la fiche ou provoquer un incendie.
14. Veuillez ne pas opérer l'appareil au cours de la conduite. Cela pourrait provoquer un accident.
15. Quand la capacité restante de la batterie automobile devient faible, utilisez l'appareil avec le moteur en fonctionnement. Après la fin de l'utilisation de l'appareil, débranchez la douille d'allume-cigare afin d'éviter le chargement sur la batterie automobile.
16. Veuillez ne pas utiliser l'adaptateur CA à l'extérieur. Sinon, l'électrocution pourrait se produire.
17. Veuillez ne pas abuser l'adaptateur CA et l'adaptateur d'allume-cigare.

## AVIS IMPORTANTS

1. Lisez consciencieusement le manuel d'instruction avant l'utilisation.
2. Vérifiez si la plage de tension utilisée est identique par rapport à celle marquée sur la plaque signalétique, si la fiche du cordon d'alimentation est conforme avec la douille et assurez que la douille est mise à la terre parfaitement.
3. Veuillez ne pas mettre l'appareil à l'envers et incliner à plus de 15°, même si l'appareil n'est pas utilisé. Autrement, le dysfonctionnement pourrait se produire.
4. Quand l'appareil est transporté, il est gardé avec le couvercle supérieur vers le haut. Veuillez ne pas transporter l'appareil à l'envers. Autrement, le dysfonctionnement pourrait se produire.
5. Veuillez ne pas immerger l'appareil dans l'eau ou l'autre liquide afin d'éviter l'électrocution. Veuillez ne pas exposer à la pluie.
6. Au cours de le nettoyage ou hors service, retirez la batterie et débranchez la fiche d'alimentation.
7. Pour les accessoires non proposés par le fabricant, ils ne doivent pas être utilisés.
8. Veuillez ne pas mettre l'appareil aux endroits chauds, par exemple, dans une voiture sous le soleil ou près des matériaux chauffants. Les performances de refroidissement pourraient être diminuées, ou il est possible de provoquer un incendie en cas de fuite de gaz.
9. Veuillez ne pas mettre l'appareil près des appareils de gaz. Les performances de refroidissement pourraient être diminuées, ou il est possible de provoquer un incendie en cas de fuite de gaz.
10. Veuillez ne pas démarrer souvent le bouton d'alimentation (au moins 5 minutes pour chaque fois) afin d'éviter d'endommager le compresseur.
11. Veuillez ne pas insérer la feuille métallique ou les autres matériaux conducteurs dans l'appareil afin d'éviter l'incendie ou le court-circuit.
18. Nettoyez la fiche de l'adaptateur CA et de l'adaptateur d'allume-cigare. La saleté, par exemple, l'eau ou le sel adhérent à la fiche, pourrait provoquer la rouille et entraîner la mauvaise conductivité, la déformation ou l'incendie.
19. Veuillez ne pas toucher immédiatement la fiche de l'adaptateur CA et de l'adaptateur d'allume-cigare après l'exploitation. Ils pourraient être très chauds et brûler votre peau.
20. Veuillez ne pas démonter l'appareil.
21. Veuillez ne pas charger la batterie de la voiture en utilisant l'appareil. La tension inacceptable appliquée au produit entraîne la défaillance ou l'incendie.
22. Veuillez ne pas utiliser le pulvérisateur inflammable près de l'appareil. Autrement, il pourrait provoquer l'incendie.
23. Lors de l'exploitation, ne pas toucher les contenus avec les mains humides, particulièrement ceux fabriqués en métal, à l'intérieur de l'appareil. Cela pourrait provoquer la gelure.
24. Ne manipulez pas la prise avec la main mouillée ou grasseuse. Cela pourrait provoquer l'électrocution.
25. Veuillez ne pas mettre les médicaments ou de matériaux académiques dans l'appareil. Le présent appareil ne pourrait pas conserver les matériaux exigeant la commande stricte de la température.
26. Veuillez ne pas utiliser le présent produit en tant qu'escabeau ou chaise. Cela pourrait provoquer les chutes et les blessures.
27. Veuillez ne pas laisser les petits enfants ainsi que les animaux de compagnie jouer avec le présent appareil. Maintenez l'appareil à l'écart des enfants au cours du stockage.
28. Veuillez ne pas remplir trop d'aliments et de boissons dans l'appareil. Les performances de refroidissement pourraient être diminuées, causant la pourriture de l'aliment et de la boisson.
29. Soyez prudent, ne pas manquer de batterie afin de garder l'aliment et la boisson au niveau frais ou tiède. Veuillez ne pas stocker les aliments ouverts pour longtemps. L'aliment et la boisson pourraient pourrir.



30. **Veillez ne pas utiliser le couteau ou le tournevis afin de retirer la glace ou le givre à partir de l'appareil.** Cela pourrait endommager l'intérieur de l'appareil et provoquer un dysfonctionnement, ou le gaz ou l'huile enfermés pourraient projeter.
31. **Veillez ne pas utiliser la sortie CC (CC) du générateur du moteur en tant que source d'alimentation.** Cela pourrait provoquer une défaillance.
32. **Veillez ne pas mettre directement l'eau, etc. dans l'appareil.** L'eau pourrait entrer dans l'intérieur de l'appareil et provoquer un dysfonctionnement. Si l'eau s'est accumulée dans la chambre, elle est essuyée à l'aide d'un chiffon souple.
33. **Soyez prudent, ne pas pincer votre doigt au cours de la fermeture et l'ouverture du couvercle supérieur.**
34. **Veillez ne pas mettre les choses qui sont facilement périssables dans la chambre.** L'aliment ou la boisson pourrait pourrir.
35. **Lors de l'exploitation en mode de chauffage, ne pas toucher l'intérieur de l'appareil avec la main pour longtemps.** Le risque des brûlures sous la basse température.
36. **Quand l'aliment ou la boisson est mis dans l'appareil, maintenez l'intérieur propre de la chambre.** Le risque d'intoxication de l'aliment, etc.
37. **Veillez ne pas utiliser le présent appareil dans le véhicule frigorifique ou la chambre frigorifique.** La condensation de rosée est générée facilement dans le véhicule frigorifique et la chambre du réfrigérateur, elle pourrait provoquer la chute des gouttelettes d'eau sur l'appareil et entraîner les dysfonctionnements.
38. **Veillez ne pas mettre les animaux, par exemple, les animaux de compagnie, dans l'appareil.** Le présent appareil ne pourrait pas sauver les animaux.
39. **Veillez ne pas mettre l'agent froid dans un sac rompu.** En cas de fuite d'agent froid dans l'appareil, la pièce métallique de l'appareil pourrait être corrodée. En cas de fuite d'agent froid, il est essuyé à l'aide d'un chiffon souple mouillé, ensuite, essuyez avec d'un chiffon souple.
40. **Liez solidement la bandoulière à l'épaule pour qu'elle ne tombe pas à cause du poids de l'appareil.** Autrement, l'appareil pourrait tomber et provoquer la blessure.
41. **Quand l'aliment et la boisson sont mis dans l'appareil, mettez une chose froide ou chaude à l'avance.** Le présent appareil ne pourrait pas refroidir ou chauffer dans un court temps.
42. **Quand l'appareil est utilisé dans une voiture, assurez d'installer l'appareil dans un endroit stable, par exemple, l'espace de bagage ou le pied des sièges arrière, en fixant.** Veillez ne pas mettre l'appareil sur le siège en état instable. Si la voiture est démarrée ou arrêtée soudainement lors de la conduite, l'appareil pourrait tomber et se déplacer, causant la blessure.
43. **Tenez solidement l'appareil au cours du transport.** Autrement, l'appareil pourrait tomber et provoquer un dysfonctionnement, ou tomber sur votre pied pouvant provoquer la blessure.
44. **Au cours de l'utilisation dans l'environnement poussiéreux, nettoyez plus souvent le filtre éponge.** L'environnement poussiéreux cause facilement le blocage du filtre éponge et l'incendie.

## AVERTISSEMENTS DE SÉCURITÉ pour L'APPAREIL OPÉRÉ PAR LA BATTERIE

### Utilisation et entretien de l'appareil opéré par la batterie

- Empêchez tout démarrage accidentel. Assurez-vous que l'interrupteur est en position d'arrêt avant de brancher le bloc-pile, de ramasser ou de transporter l'appareil.** Le fait de transporter l'appareil avec le doigt sur l'interrupteur ou d'alimenter l'appareil avec l'interrupteur en marche risque d'entraîner des accidents.
- Débranchez le bloc-pile de l'appareil avant d'effectuer des réglages, de changer des accessoires ou de ranger l'appareil.** De telles mesures de sécurité préventives réduisent le risque de mettre en marche l'appareil accidentellement.
- Rechargez uniquement avec le chargeur spécifié par le fabricant.** Un chargeur adapté à un type de bloc-pile peut entraîner un risque d'incendie s'il est utilisé avec un autre bloc-pile.
- N'utilisez les appareils qu'avec des blocs-pile spécialement conçus à cet effet.** L'utilisation de tout autre bloc-pile peut entraîner un risque de blessure et d'incendie.
- Lorsque le bloc-pile n'est pas utilisé, éloignez-le des autres objets métalliques, tels que trombones, pièces de monnaie, clés, clous, vis ou autres petits objets métalliques qui peuvent établir la connexion d'une borne à une autre.** Court-circuiter les bornes de la pile ensemble peut causer des brûlures ou un incendie.
- Dans des conditions extrêmes, du liquide peut être éjecté de la pile; évitez tout contact. En cas de contact accidentel, rincez-vous à grande eau. Si le liquide entre en contact avec les yeux, consultez un médecin.** Le liquide éjecté de la pile peut causer une irritation ou des brûlures.
- N'utilisez pas un bloc-pile ou un appareil endommagé ou modifié.** Les piles endommagées ou modifiées peuvent présenter un fonctionnement imprévisible et provoquer un incendie, une explosion ou un risque de blessure.
- N'exposez pas un bloc-pile ou un appareil à un feu ou à une température excessive.** Une exposition au feu ou à une température supérieure à 130 °C peut provoquer une explosion.
- Respectez toutes les instructions de charge et ne pas charger le bloc-batterie ou l'appareil hors de plage de température stipulée dans les instructions.** Une charge incorrecte ou à des températures à l'extérieur de la plage spécifiée peut endommager la pile et augmenter le risque d'incendie.



10. **Faites effectuer l'entretien par un réparateur qualifié en n'utilisant que des pièces de rechange identiques.** Cela garantira le maintien de la sécurité du produit.
11. **Ne modifiez pas l'appareil ou le bloc-pile, et n'essayez pas de les réparer vous-même, sauf comme indiqué dans les instructions d'utilisation et d'entretien.**

## Consignes de sécurité importantes pour la cartouche de pile

1. **Avant d'utiliser la cartouche de pile, lisez toutes les instructions et les mises en garde sur (1) le chargeur de pile, (2) la pile et (3) le produit utilisant une pile.**
2. **Veillez ne pas démonter et modifier la cartouche de batterie.** Cela pourrait entraîner un incendie, une chaleur excessive ou une explosion.
3. **Si le temps de fonctionnement est devenu excessivement plus court, cessez immédiatement d'utiliser l'appareil.** Cette situation peut entraîner un risque de surchauffe, de brûlures et même d'explosion.
4. **Si de l'électrolyte entre dans vos yeux, rincez-les à l'eau claire et consultez immédiatement un médecin.** Cet incident pourrait entraîner une perte de la vue.
5. **Ne court-circuitez pas la cartouche de pile :**
  - (1) **Ne touchez pas les bornes avec un matériau conducteur.**
  - (2) **Évitez de ranger la cartouche de piles dans un contenant avec d'autres objets métalliques, tels que des clous, des pièces de monnaie, etc.**
  - (3) **N'exposez pas la cartouche de pile à l'eau ou à la pluie.**

Un court-circuit de la pile peut causer un flux de courant important, une surchauffe, des brûlures possibles et même une panne.

6. **Veillez ne pas stocker et utiliser l'appareil et la cartouche de batterie dans les emplacements où la température pourrait atteindre ou dépasser 50 °C (122 °F).**
7. **Ne pas incinérer la cartouche de pile, même si elle est gravement endommagée ou complètement usée.** La cartouche de pile peut exploser lorsque jetée dans un feu.
8. **Ne pas clouer, couper, écraser, jeter, échapper la cartouche de pile ou frapper celle-ci contre un objet dur.** Une telle conduite pourrait entraîner un incendie, une chaleur excessive ou une explosion.
9. **N'utilisez pas une pile endommagée.**
10. **Les piles au lithium-ion sont soumises aux exigences de la législation en matière de marchandises dangereuses.**

Pour les transports commerciaux, par des tiers ou des agents de transport par exemple, des exigences particulières en matière d'emballage et d'étiquetage doivent être respectées.

Pour la préparation de l'article à expédier, il faut consulter un expert en matières dangereuses. Veuillez également respecter les réglementations nationales probablement plus détaillées.

- Attachez ou masquez les contacts ouverts et emballez le bloc-pile de manière à ce qu'il ne puisse pas se déplacer dans l'emballage.
11. **Quand la mise au rebut de la cartouche de batterie est faite, retirez à partir de l'appareil et jetez dans un lieu sûr.** Respectez les réglementations locales relatives à l'élimination des piles.
12. **N'utilisez les piles qu'avec les produits mentionnés par Makita.** L'installation des piles sur des produits non conformes peut provoquer un incendie, une chaleur excessive, une explosion ou une fuite d'électrolyte.
13. **Si l'appareil n'est pas utilisé pour une longue période de temps, la batterie doit être retirée à partir de l'appareil.**
14. **La cartouche de pile peut accumuler de la chaleur pendant et après l'utilisation, ce qui peut provoquer des brûlures ou des brûlures de faible température.** Faites attention lors de la manipulation de cartouches de pile chaudes.
15. **Veillez ne pas toucher immédiatement la borne de l'appareil après l'utilisation, parce qu'elle pourrait devenir suffisamment chaude en provoquant les brûlures.**
16. **Ne permettez pas à des copeaux, de la poussière, ou de la terre de rester pris dans les bornes, les trous et les rainures de la cartouche de pile.** Cela pourrait entraîner la mauvaise performance ou la décomposition de l'appareil ou de la cartouche de batterie.
17. **Sauf si l'appareil supporte l'utilisation à côté des lignes électriques de haute tension, il ne faut pas utiliser la cartouche de batterie à côté des lignes électriques de haute tension.** Cela pourrait entraîner un dysfonctionnement ou une décomposition de l'appareil ou de la cartouche de batterie.
18. **Conservez la pile éloignée des enfants.**

## CONSERVEZ CES INSTRUCTIONS.

**⚠ ATTENTION :** N'utilisez que des piles Makita d'origine. L'utilisation de piles Makita non authentiques, ou de piles qui ont été modifiées, peut entraîner l'éclatement de la pile et provoquer des incendies, des blessures corporelles et des dommages. Cela annulera encore la garantie Makita pour l'appareil et le chargeur Makita.

## Conseils pour maintenir la durée de vie maximale de la pile

1. **Chargez la cartouche de pile avant de la décharger complètement.** Arrêtez toujours le fonctionnement de l'appareil et chargez la cartouche de pile lorsque vous remarquez une diminution de la puissance de l'appareil.
2. **Ne rechargez jamais une cartouche de pile complètement chargée.** Une surcharge réduit la durée de vie de la pile.
3. **Chargez la cartouche de pile à température ambiante entre 10 °C et 40 °C (50 °F et 104 °F).** Laissez refroidir une cartouche de pile chaude avant de la recharger.

4. **Quand la cartouche de batterie n'est pas utilisée, retire à partir de l'appareil ou du chargeur.**
5. **Chargez la cartouche de pile si vous ne l'utilisez pas pendant une longue période (plus de six mois).**

Afin d'installer la cartouche de batterie, ouvrez le couvercle de la batterie.  
Alignez la languette de la cartouche de pile avec la rainure du boîtier et glissez-la en place. Insérez-la jusqu'à entendre un déclic.  
Fermez ensuite le couvercle du compartiment à piles.  
Pour retirer la cartouche de pile, faites-la glisser de l'appareil tout en faisant glisser le bouton à l'avant de la cartouche.

## DESCRIPTION DES PIÈCES

► Fig.1

1	Panneau de commande	2	Couvercle du compartiment à piles
3	Feu LED	4	Couvercle supérieur
5	Crochet du couvercle supérieur	6	Outil d'ouverture
7	Poignée de transport	8	Douille "ENTRÉE CC"
9	Couvercle du filtre	10	Port de source d'alimentation USB
11	Bouton d'alimentation	12	Bouton de l'interrupteur de refroidissement / chauffage
13	Affichage de la température	14	Indicateur de la batterie
15	Bouton de diminution de la température	16	Bouton d'augmentation de la température
17	Lampe "ENTRÉE CC"	18	Unité de température
19	Lampe de mode de chauffage	20	Lampe de mode de refroidissement

► Fig.2 1. Voyant rouge 2. Bouton 3. Cartouche de pile

**⚠ ATTENTION :** Installez toujours la cartouche de pile complètement jusqu'à ce que l'indicateur rouge ne soit plus visible. Sinon, les piles pourraient tomber accidentellement de l'appareil et causer des blessures à vous ou à quelqu'un à vos côtés.

**⚠ ATTENTION :** Ne forcez pas pour installer la cartouche de pile. Si la cartouche ne glisse pas facilement, elle n'est pas insérée correctement.

## FONCTIONNEMENT

**⚠ ATTENTION :** Veuillez ne pas mettre les choses qui sont facilement périssables dans la chambre. L'aliment ou la boisson pourrait pourrir.

**REMARQUE :** Au cours de l'exploitation de l'appareil dans l'environnement hautement humide, la condensation de rosée pourrait se produire sur l'appareil. Il ne s'agit pas d'un dysfonctionnement de l'appareil. Utilisez un chiffon sec afin d'essuyer la condensation de rosée pour l'éliminer en dehors de l'appareil.

### 1. Connexion de la source d'alimentation

#### A) Batterie

**⚠ ATTENTION :** Arrêtez toujours l'appareil avant d'installer ou de retirer la cartouche de batterie.

**⚠ ATTENTION :** Tenez fermement l'appareil et la cartouche de pile lorsque vous installez ou retirez la cartouche de piles. Si vous ne tenez pas fermement l'appareil et la cartouche de pile, ils risquent de glisser de vos mains et d'endommager l'appareil et la cartouche de pile, en plus de provoquer des blessures corporelles.

**⚠ ATTENTION :** Soyez prudent, évitez de pincer vos doigts quand le couvercle de la batterie est ouvert ou fermé.

**⚠ ATTENTION :** Soyez prudent, évitez de pincer vos doigts entre la cartouche de batterie et les bornes. Cela pourrait provoquer la blessure par l'entaille.

#### B) Adaptateur CA (Il est utilisé seulement pour le véhicule récréatif)

##### Accessoires facultatifs

Quand l'appareil est utilisé avec l'alimentation CA, utilisez l'adaptateur CA fourni ensemble avec l'appareil. Insérez la fiche dans l'entrée "ENTRÉE CC" de l'appareil, et ensuite, insérez l'autre extrémité dans une prise.

Quand l'appareil est opéré avec l'alimentation à partir de l'adaptateur CA, la lampe "ENTRÉE CC" s'allume.

#### C) Adaptateur d'allume-cigare

Quand l'appareil est utilisé avec la douille d'allume-cigare, utilisez l'adaptateur d'allume-cigare fourni ensemble avec l'appareil. Insérez la fiche dans l'entrée "ENTRÉE CC" de l'appareil, ensuite, insérez l'autre extrémité dans la douille d'allume-cigare.

Quand l'appareil est opéré avec l'alimentation à partir de l'adaptateur d'allume-cigare, la lampe "ENTRÉE CC" s'allume.

**⚠ ATTENTION :** Insérez entièrement la fiche dans l'entrée "ENTRÉE CC". Le défaut de respect de faire comme ça pourrait déformer la fiche ou provoquer un incendie.

**⚠ ATTENTION :** Quand le cordon d'alimentation n'est pas branché, fermez toujours solidement le couvercle de la douille "Entrée CC". Autrement, les corps étrangers pourraient entrer dans l'appareil et provoquer un dysfonctionnement.

**REMARQUE :** Quand l'appareil commute la source d'alimentation, le compresseur s'arrêtera pour environ 3 minutes afin de protéger le compresseur.

**REMARQUE :** Après que l'appareil s'est arrêté, Il est obligatoire de prendre environ 3 minutes afin de redémarrer le compresseur, l'objectif concerne la protection du compresseur.

**REMARQUE :** Si l'appareil est arrêté par tous les autres moyens que ceux d'appuyer sur le bouton d'alimentation, l'appareil est démarré de manière automatique quand la source d'alimentation de l'adaptateur CA ou de l'adaptateur d'allume-cigare est rétablie.

## 2. Allumez l'appareil

Appuyez sur le bouton d'alimentation afin d'allumer l'appareil. Appuyez encore une fois sur le bouton d'alimentation afin d'éteindre l'appareil.

## 3. Commutation du mode de refroidissement / chauffage

Appuyez sur le bouton l'interrupteur de refroidissement / chauffage afin de commuter le mode d'exploitation.

- Quand l'appareil marche en mode de refroidissement, la lampe de mode de refroidissement s'allume.
- Quand l'appareil marche en mode de chauffage, la lampe de mode de chauffage s'allume.

L'affichage de la température clignote la température de commande.

## 4. Choix de la température de commande

Appuyez sur le bouton d'augmentation de la température ou sur le bouton de diminution de la température afin de choisir la température de commande. Pour la température de commande sélectionnable, en référence au chapitre "SPÉCIFICATIONS".

L'appareil démarre pour refroidir / chauffer en 5 secondes après sans aucune exploitation, par la suite, la température de commande s'arrête de clignoter et l'affichage de la température montre la température en cours.

L'appareil s'arrête le refroidissement / le chauffage quand la température actuelle parvient à la température de commande.

## Conseils pour le refroidissement efficient

- L'ouverture du couvercle supérieur pour longtemps pourrait provoquer l'augmentation majeure de la température dans la chambre.
- Le nettoyage régulier des surfaces pourrait entrer en contact avec l'aliment et les systèmes de drainage accessibles.
- Stockez la viande et le poisson crus à l'intérieur des récipients adaptable dans la chambre, pour qu'ils ne soient pas en contact ou ne gouttent pas sur l'autre aliment.
- Si la chambre est laissée vide pour des longues périodes :
  - Arrêtez l'appareil.
  - Dégivrez la chambre.
  - Nettoyez et séchez la chambre.
  - Permettez au couvercle supérieur d'être ouvert afin d'empêcher le développement de la moisissure dans la chambre.

## FONCTION

### Indication de la capacité restante de la pile

L'indicateur de la batterie montre la capacité restante de la batterie. La capacité restante de la batterie est montrée dans le tableau comme suit.

État d'indicateur de la batterie		Capacité restante
Éclairé	Arrêt	
		50 % à 100 %
		20 % à 50 %
		0 % à 20 %
		Chargez la pile.

### (Uniquement pour les cartouches de pile avec indicateur)

Appuyez sur le bouton de vérification de la cartouche de pile pour indiquer la capacité restante de la pile. Les voyants lumineux s'allument pendant quelques secondes.

► Fig.3 1. Voyants lumineux 2. Bouton de vérification

Voyants lumineux			Capacité restante
Éclairé	Arrêt	Clignotant	
			75 % à 100 %
			50 % à 75 %
			25 % à 50 %
			0 % à 25 %
			Chargez la pile.
			La pile a peut-être mal fonctionné.

**REMARQUE :** Selon les conditions d'utilisation et la température ambiante, l'indication peut différer légèrement de la capacité réelle.

**REMARQUE :** Le premier voyant lumineux (à gauche complètement) clignotera lorsque le système de protection de la pile fonctionne.

## Système de protection de l'appareil / de la batterie

L'appareil est pourvu avec le système de protection. Le présent système coupe l'alimentation de manière automatique afin d'étendre la durée de vie de l'appareil et de la batterie. L'appareil s'arrêtera de manière automatique lors de l'exploitation si l'appareil ou la batterie est mis en place sous l'une des conditions comme suit.

- **Protection contre la décharge excessive de la batterie**

Quand la capacité de la batterie devient basse, l'appareil s'arrête de manière automatique. L'indicateur de la batterie rappelle que la batterie devrait être chargée. Retirez les batteries à partir de l'appareil et chargez les batteries.

- **Protection contre la surintensité**

Quand l'appareil / la batterie est opéré de manière qui l'amène à tirer un courant anormalement élevé, l'appareil s'arrête de manière automatique. En cette situation, arrêtez l'application qui a causé la surcharge de l'appareil. Puis allumez l'appareil pour faire redémarrer.

- **Protection contre la basse tension**

Quand la tension d'entrée de la voiture est en dessous de la tension nominale, le présent système de protection arrête l'appareil et l'affichage de la température montre "F3" ayant le bip sonore.

- **Protection contre la surtension**

Quand la tension d'entrée de la voiture est en dessus de la tension nominale, le présent système de protection arrête l'appareil et l'affichage de la température montre "F4" ayant le bip sonore.

- **Protection contre le court-circuit**

Le circuit possède la fonction de protection contre le court-circuit visant au cas de court-circuit. En cette situation, envoyez l'appareil aux Centres de Service Autorisés ou de l'Usine Makita.

- **Fonction de protection contre l'inclinaison**

L'appareil est pourvu de la fonction de protection contre l'inclinaison. Au cours de l'exploitation de l'appareil en mode de refroidissement, si l'appareil est mis en place sous l'un des angles comme suit, l'appareil s'éteindra de manière automatique. Quand l'appareil devient égal ou supérieur à 30° en comparaison avec l'angle de niveau comme cela montré A, B, C, ou D dans la figure, l'appareil s'arrête et l'affichage de la température affiche "F1" pour un moment. Il est obligatoire de prendre 3 minutes afin de redémarrer après que l'appareil a remis à la position horizontale.

► Fig.4

## Protections contre les autres causes

Le système de protection est encore conçu pour les autres causes qui pourraient endommager l'appareil et permet à l'appareil d'être arrêté de manière automatique. Prenez toutes les étapes ci-après afin d'éliminer les causes quand l'appareil a été suspendu ou arrêté temporairement en exploitation.

1. Arrêtez l'appareil, puis rallumez-le pour le redémarrer.
2. La batterie ou les batteries sont chargées ou elle / elles sont remplacées à l'aide de la batterie ou des batteries rechargées.
3. Laissez refroidir l'appareil et la batterie ou les batteries.

Si aucune amélioration ne pourrait être découverte en restaurant le système de protection, par la suite, contactez votre Centre de Service Makita local.

## Charge USB

Il existe le port USB dans le compartiment de la batterie. Le port USB sort continuellement la tension 5 V en état d'exploitation.

**AVIS : Connectez seulement les dispositifs compatibles avec le port de source d'alimentation USB.** Autrement, cela pourrait provoquer le dysfonctionnement de l'appareil.

**AVIS : Veuillez ne pas connecter le port de source d'alimentation USB du présent appareil à la borne USB de votre ordinateur.** Cela pourrait provoquer le dysfonctionnement.

**AVIS : Sauvegardez toujours vos données du dispositif USB, avant de connecter le dispositif USB à l'appareil.** Autrement, vos données pourraient être perdues par toute possibilité.

**AVIS : Retirez le câble USB et fermez le couvercle, quand vous ne les utilisez pas ou après la charge.**

**REMARQUE :** L'appareil pourrait être éventuellement incapable d'alimenter certains dispositifs USB.

## Fonction de mémoire

Si l'utilisateur ne fonctionne pas dans les 5 secondes après le réglage de la température de commande, le réglage actuel sera mémorisé. À la prochaine fois, l'appareil démarre dans le réglage identique.

## Commutation de l'unité de température

Vous pouvez commuter l'unité de température °C (degré Celsius) ou °F (degré Fahrenheit) selon la procédure comme suit.

1. Allumez l'appareil.
2. Appuyez sur le bouton de l'interrupteur de refroidissement / chauffage jusqu'à ce que l'unité (°C ou °F) commence le clignotement.
3. Appuyez sur le bouton d'augmentation de la température ou sur le bouton de diminution de la température afin de choisir l'unité.
4. Appuyez sur le bouton de l'interrupteur de refroidissement / chauffage, ou laissez l'appareil sans aucune exploitation au cours de 5 secondes. Le choix de l'unité est fini.

## Bandoulière

**⚠ ATTENTION : Il faut garantir que la bandoulière est attachée fermement et convenablement.** Dans le cas contraire, l'appareil pourrait tomber.

**⚠ ATTENTION : Quand vous transportez l'appareil, même si vous utilisez la bandoulière, continuez à tenir l'appareil.** Le transport de l'appareil avec l'utilisation unique de la bandoulière le rend instable. La bandoulière pourrait être détachée ou l'appareil heurterait avec les autres objets et provoquerait la blessure.

1. Mettez la ceinture à travers la poignée de transport.
2. Bouclez la ceinture.

► Fig.5

## Code d'erreur

Visant aux erreurs spécifiques, l'affichage de la température montre le code comme suit.

Code d'erreur	Problème
F1	La protection contre l'inclinaison est active. En référence à la section pour la fonction de protection contre l'inclinaison.
F2	La batterie épuisée.
F3	La tension d'entrée est basse. En référence au paragraphe pour la protection contre la basse tension.
F4	La tension d'entrée est haute. En référence au paragraphe pour la protection contre la surtension.
Codes d'erreur à l'exception de ceux ci-avant	Arrêtez et redémarrez l'appareil. Apportez l'appareil aux Centres de Service Agréés ou de l'Usine Makita, Si l'erreur ne s'améliore pas continuellement.

## ENTRETIEN

**⚠ ATTENTION : Toujours vous assurer que l'appareil est éteint et débranché et que la cartouche de pile est retirée avant de tenter d'effectuer une inspection ou un entretien.**

**⚠ ATTENTION : Veuillez ne pas pulvériser ou verser l'eau sur l'appareil au cours du nettoyage. Veuillez ne pas laver avec un flexible ; évitez de mettre l'eau dans l'appareil.**

**AVIS : N'utilisez jamais de gazoline, d'essence, de diluant, d'alcool ou autre. Ces produits pourraient causer une décoloration, une déformation ou des fissures.**

Pour maintenir la SÉCURITÉ et la FIABILITÉ du produit, les réparations, tout autre entretien ou ajustement doivent être effectués par des centres de service autorisés par Makita ou des centres de service d'usine, toujours avec des pièces de rechange de Makita.

## Nettoyage

- Nettoyez la tache d'huile dans la chambre de manière régulière.
- Nettoyez autour de l'intérieur de la chambre afin d'éviter l'odeur.

- Nettoyez la poussière sur le filtre éponge de manière régulière afin d'améliorer l'efficacité de réfrigération.
- La bande étanche du couvercle supérieur est facile à salir, elle est nettoyée en temps opportun.

## Dégivrage

Coupez l'alimentation et attendez que le givre ait fondu afin de dégivrer. Par la suite, essuyez l'eau.

## Nettoyage du filtre éponge

**⚠ ATTENTION : Après le nettoyage du filtre éponge, assurez d'en installer dans l'appareil.** L'exploitation de l'appareil sans filtre éponge pourrait provoquer le dysfonctionnement.

1. Glissez le couvercle du filtre dans la direction de la flèche montrée dans la figure, ensuite, enlevez le couvercle du filtre.
  2. Enlevez le filtre éponge, nettoyez le filtre éponge.
- Fig.6
3. Installez le filtre éponge et le couvercle du filtre pour les remettre en place.

► Fig.7

## ACCESSOIRES FACULTATIFS

**⚠ ATTENTION : Ces accessoires ou pièces sont recommandés pour une utilisation avec votre outil de Makita spécifié dans ce manuel.** L'utilisation d'autres accessoires ou pièce peut présenter un risque de blessure. Utilisez un accessoire ou une pièce uniquement pour les raisons indiquées.

Si vous avez besoin d'aide pour plus de détails concernant ces accessoires, demandez à votre centre de service local de Makita.

- Adaptateur CA
- Pile et chargeur Makita d'origine

**REMARQUE :** Certains éléments de la liste peuvent être inclus dans l'ensemble d'outils comme accessoires standard. Ils peuvent varier d'un pays à l'autre.

## GARANTIE LIMITÉE DE MAKITA

Référez-vous à la garantie en annexe pour connaître les plus récentes conditions de garantie applicable à ce produit. Si la garantie n'est pas annexée, référez-vous aux renseignements de garantie détaillés sur notre site Web national indiqué ci-dessous.

États-Unis d'Amérique : [www.makitatools.com](http://www.makitatools.com)

Canada : [www.makita.ca](http://www.makita.ca)

Ailleurs : [www.makita.com](http://www.makita.com)

## ESPECIFICACIONES

<b>Modelo:</b>		<b>CW003G</b>
Capacidad		7 lts (1,8 gal)
Entrada	Cartucho de batería	C.C. 18 V / C.C. 36 V
	Adaptador AC (Accesorio opcional)	Vea la indicación del adaptador AC. (El voltaje de entrada varía dependiendo del país)
	Adaptador de encendedor de cigarros	C.C. 12 V / C.C. 24 V
Tipo de protección contra descargas eléctricas		III
Tipo de clima		SN / N / ST / T
Material de insulación / Material espumoso		Espuma de poliuretano / Ciclopentano (C <sub>5</sub> H <sub>10</sub> )
Refrigerante		R-1234yf (24 g) (** lbs)
Potencia de operación		Potencia de enfriamiento 65 W, potencia de calentamiento 31 W
Medidas (largo x ancho x altura)	Dimensiones externas	456 mm x 245 mm x 308 mm (18" x 9-5/8" x 12-1/8") (sin incluir la manija de transporte)
	Dentro del compartimiento	210 mm x 150 mm x 220 mm (8-1/4" x 5-7/8" x 8-5/8")
Peso neto		9,4 kg (20,7 lbs) (con BL4080F) / 7,5 kg (16,5 lbs) (sin batería)
Grado de protección		IPX4 (funciona únicamente con cartuchos de batería)
Control de temperatura seleccionable	Modo de enfriamiento	-18 °C, -15 °C, -10 °C, -5 °C, 0 °C, 5 °C, 10 °C (0 °F, 5 °F, 15 °F, 25 °F, 30 °F, 40 °F, 50 °F)
	Modo de calentamiento	30 °C, 35 °C, 40 °C, 45 °C, 50 °C, 55 °C, 60 °C (85 °F, 95 °F, 105 °F, 115 °F, 120 °F, 130 °F, 140 °F)
Fuente de alimentación de puerto USB		Tipo A / Voltaje de salida C.C. 5 V / Corriente de salida C.C. 2,4 A

- Debido a nuestro programa continuo de investigación y desarrollo, las especificaciones en este documento están sujetas a cambios sin previo aviso.
- Las especificaciones pueden diferir de un país a otro.

### Cargador y cartucho de batería correspondientes

Modelo D.C.18 V	Cartucho de batería	BL1815N / BL1820B / BL1830 / BL1830B / BL1840B / BL1850B / BL1860B
	Cargador	DC18RC / DC18RD / DC18RE / DC18SD / DC18SE / DC18SF / DC18SH
Modelo D.C.36 V	Cartucho de batería	BL4020 / BL4025 / BL4040 / BL4050F / BL4080F
	Cargador	DC40RA / DC40RB / DC40RC

- Algunos de los cartuchos de batería y cargadores mencionados a continuación pueden no estar disponibles dependiendo de su región de residencia.

**⚠ ADVERTENCIA:** Utilice únicamente los cartuchos y cargadores de batería mencionados arriba. El uso de cualquier otro cartucho de batería o cargadores puede causar lesiones y/o incendio.

## Tiempo de funcionamiento

**NOTA:** Los tiempos de operación son aproximados y podrían variar dependiendo del tipo de batería, el estatus de la carga y las condiciones de uso.

Tensión	Cartucho de batería	Tiempo de operación de cada control de temperatura (horas)								
		Temperatura ambiente de 30 °C (85 °F)					Temperatura ambiente de 0 °C (30 °F)			
		-18 °C (0 °F)	-10 °C (15 °F)	0 °C (30 °F)	5 °C (40 °F)	10 °C (50 °F)	30 °C (85 °F)	40 °C (105 °F)	50 °C (120 °F)	60 °C (140 °F)
18 V	BL1815N	0,5	1,0	1,5	2,0	2,5	1,5	1,5	1,0	1,0
	BL1820B	1,0	1,5	2,0	2,5	3,0	2,5	2,0	1,5	1,5
	BL1830 / BL1830B	1,5	2,0	2,5	3,5	4,5	3,5	2,5	2,5	2,0
	BL1840B	2,5	3,5	4,0	5,5	6,5	5,0	3,5	3,5	3,0
	BL1850B	3,0	4,5	5,0	7,0	8,5	6,5	4,5	4,5	4,0
	BL1860B	3,5	5,0	6,0	8,5	10,0	7,5	6,0	5,0	4,5
36 V	BL4020	2,5	3,0	5,5	6,5	7,5	5,0	4,0	3,0	2,5
	BL4025	3,5	4,0	7,0	8,5	10,0	6,5	5,0	3,5	3,5
	BL4040	5,5	7,0	11,5	13,5	16,0	10,5	8,0	6,0	5,5
	BL4050F	7,0	8,5	14,0	16,5	20,0	13,5	10,0	7,5	7,0
	BL4080F	11,5	14,0	23,0	27,0	32,0	21,5	16,5	12,0	11,5

## Símbolos

A continuación se muestran los símbolos utilizados en el equipo. Asegúrese de entender su significado antes de su uso.



Precaución: riesgo de incendio.



No vacíe agua directamente dentro del compartimiento. No sumerja el equipo dentro de agua. No vierta agua sobre el equipo. De otro modo podría ocasionar un choque eléctrico o un fallo.

## ADVERTENCIAS DE SEGURIDAD

- Este equipo no debe ser utilizado por personas (incluidos niños) con capacidades físicas, sensoriales o mentales reducidas, o con falta de experiencia y conocimiento, a menos que hayan recibido supervisión o instrucción sobre el uso del equipo por parte la persona encargada de su seguridad. Los niños deben ser supervisados para asegurarse que no jueguen con el equipo.
- El equipo es adecuado para:
  - Operación en vehículos.
  - Refrigeración y congelación de comida.
  - Uso en campamentos únicamente cuando el equipo esté energizado con cartuchos de baterías.
- Este equipo utiliza REFRIGERANTES INFLAMABLES. Lea y siga las indicaciones siguientes para su uso. Pregunte a nuestro centro de servicio sobre su mantenimiento. Cuando deseché el equipo, siga las regulaciones locales respecto al manejo de REFRIGERANTES INFLAMABLES.
- ADVERTENCIA: Mantenga las aperturas de ventilación del equipo libres de cualquier obstrucción.
- ADVERTENCIA: No use equipos mecánicos o cualquier otro medio para acelerar el proceso de descongelamiento aparte de los recomendados por el fabricante.
- ADVERTENCIA: No dañe el circuito de refrigeración.
- ADVERTENCIA: No utilice dispositivos eléctricos dentro de los compartimientos de comida del equipo, a menos que sean de los recomendados por el fabricante.
- Este equipo contiene gases de aislamiento inflamables en su interior. Cuando deseché el equipo, siga las regulaciones locales relativas al desecho de gases inflamables o explosivos.
- No almacene en el equipo sustancias explosivas como latas de aerosol con propulsores inflamables.
- Este dispositivo está diseñado para uso doméstico y aplicaciones similares tales como:
  - Áreas de cocina para empleados en tiendas, oficinas y otros ambientes laborales.
  - Casas de campo y por clientes de hoteles, moteles y otro tipo de ambientes residenciales.
  - Ambientes tipo bed & breakfast.
  - Servicio de banquetes y aplicaciones no detallistas similares.



11. Si el CABLE DE ENERGÍA se daña, deberá ser reemplazado por otro cable especial o conjunto disponible por parte del fabricante o de su agente de servicio.
12. **ADVERTENCIA:** Riesgo de atrapamiento de menores. Antes de desechar su viejo refrigerador o congelador:  
\* Retire las puertas.
13. El espacio de instalación alrededor y sobre el equipo no debe de ser inferior a 15 mm.
14. Cuando acomode el equipo, asegúrese que el cable de energía no esté golpeado o dañado.
15. No coloque multicontactos o fuentes de alimentación portátiles en la parte trasera del equipo.
14. **No opere el equipo mientras conduzca.** Hacerlo podría ocasionar un accidente.
15. **Cuando la capacidad restante de la batería de automóvil se reduzca, use el equipo con el motor encendido.** Tras usar el equipo, desconecte el socket de encendedor de cigarros para prevenir que siga tomando carga de la batería del automóvil.
16. **No utilice el adaptador de AC al aire libre.** De otro modo podría ocasionar una descarga eléctrica.
17. **No abuse del uso del adaptador de AC ni del adaptador de encendedor de cigarros.**
18. **Limpié en enchufe del adaptador de AC y del adaptador de encendedor de cigarros.** Suciedad tal como agua o sal adherida al enchufe podría provocar que se oxide y causar una mala conductividad, deformaciones o un incendio.
19. **No toque el enchufe del adaptador de AC ni el adaptador de encendedor de cigarros inmediatamente después de su uso.** Podría estar extremadamente caliente y provocar quemaduras en su piel.

## ADVERTENCIAS IMPORTANTES

1. **Lea cuidadosamente el manual de instrucciones antes de su uso.**
2. **Revise que el rango de voltaje usado sea igual que el que señala la placa, si el cable de energía es compatible con el enchufe y asegúrese de que el enchufe esté bien asegurado.**
3. **Incluso si el equipo no está en uso, no lo coloque boca arriba o con un grado de inclinación superior a los 15°.** De otro modo podría ocurrir algún desperfecto.
4. **Cuando transporte el equipo, manténgalo con la tapa superior hacia arriba. No transporte el equipo boca arriba.** De otro modo podría ocurrir algún desperfecto.
5. **No sumerja el equipo en agua o en algún otro líquido a fin de prevenir descargas eléctricas. No lo exponga a la lluvia.**
6. **Cuando lo limpie o no esté en uso, retire la batería y desconecte el cable de alimentación.**
7. **No utilice ningún accesorio que no esté recomendado por el fabricante.**
8. **No coloque el equipo en lugares calientes tales como dentro de un auto bajo el sol o cerca de materiales calientes.** La capacidad de refrigeración podría reducirse o el gas fugarse y provocar un incendio.
9. **No coloque el equipo cerca de dispositivos que usen gas.** La capacidad de refrigeración podría reducirse o el gas fugarse y provocar un incendio.
10. **No oprima el botón de encendido continuamente (al menos una vez cada 5 minutos) para evitar que se dañe el compresor.**
11. **No meta láminas metálicas o cualquier otro material conductivo dentro del equipo a fin de prevenir incendios o cortos circuitos.**
12. **No use líquidos de limpieza químicos o herramientas duras para limpiar el producto.**
13. **Inserte completamente el enchufe en la entrada "DC IN".** Hacerlo de manera incorrecta podría deformar el enchufe o causar un incendio.
20. **No desarme el equipo.**
21. **No cargue la batería del auto cuando esté usando el equipo.** Que el equipo reciba un voltaje inadecuado podría provocar alguna falla o incendio.
22. **No utilice rociadores inflamables cerca del equipo.** De otro modo podría provocar un incendio.
23. **Durante su operación, no toque con las manos mojadas los contenidos dentro del equipo, especialmente los metálicos.** Hacerlo podría causar congelamiento.
24. **No manipule el enchufe con la mano mojada o grasosa.** Hacerlo podría ocasionar una descarga eléctrica.
25. **No coloque materiales médicos o académicos dentro del equipo.** Este equipo no es para almacenar materiales que requieran un estricto control de temperatura.
26. **No utilice este producto como escalón o silla.** Podría ocasionar caídas y lesiones.
27. **No permita que niños pequeños y mascotas jueguen con el equipo. Mantenga el equipo fuera del alcance de los niños durante su almacenamiento.**
28. **No sobrecargue el equipo con alimentos y bebidas.** La capacidad de enfriamiento podría verse reducida y provocar que los alimentos y bebidas se descompongan.
29. **Se cuidadoso de no quedarse sin batería mientras esté enfriando o calentando alimentos y bebidas. No almacene alimentos abiertos por largo tiempo.** Los alimentos y bebidas podrían descomponerse.
30. **No utilice un cuchillo o un desarmador para retirar la escarcha o el hielo del equipo.** Hacerlo podría dañar el interior del equipo y provocar un desperfecto; o podría hacer que el gas y el aceite contenidos se fuguen.
31. **No utilice la salida DC (DC) del generador del motor como fuente de alimentación.** Hacerlo podría causar un fallo.



32. **No coloque agua de manera directa en el equipo.** El agua podría filtrarse dentro del equipo y causar un mal funcionamiento. Si el agua se hubiese acumulado dentro del compartimiento, use una tela suave para limpiarla.
33. **Tenga cuidado de no machucar sus dedos al cerrar o abrir la tapa superior.**
34. **No coloque cosas fácilmente perecederas dentro del compartimiento.** Los alimentos y bebidas podrían descomponerse.
35. **Cuando opere en modo calentar, no toque el interior del compartimiento por largo tiempo.** Existe el riesgo de quemaduras a temperaturas no altas.
36. **Cuando coloque alimentos o bebidas dentro del equipo, mantenga el compartimiento limpio.** Existe el riesgo de intoxicación por comida, etc.
37. **No utilice el equipo en el vehículo refrigerante o en el compartimiento del refrigerador.** La condensación de rocío podría ocurrir en el vehículo refrigerante y en el compartimiento del refrigerador, causando que gotas de agua cayeran en el equipo y resultando en un mal funcionamiento.
38. **No coloque animales tales como mascotas dentro del equipo.** Este equipo no puede salvar animales.
39. **No coloque agentes congelantes en una bolsa rota.** Si el agente congelante se fugase en el equipo, las partes metálicas del equipo podrían corroerse. Si el agente congelante se fugase, límpielo con tela húmeda suave y séquelo con tela seca suave.
40. **Sujete con seguridad la banda del hombro de tal modo que no caiga debido al peso del equipo.** De otro modo podría caer y causarle lesiones.
41. **Cuando deposite alimentos y bebidas en el compartimiento, coloque algo frío o caliente con anticipación.** Este equipo no puede enfriar o calentar en cortos tiempos.
42. **Cuando use el equipo en un vehículo, asegúrese de colocar el equipo en un lugar estable como la cajuela o a los pies del asiento trasero, fijándolo. No coloque el equipo sobre los asientos en un estado de inestabilidad.** Si el automóvil arranca o se detiene bruscamente durante la conducción, el equipo podría caer o moverse y causarle lesiones.
43. **Sujete el equipo firmemente cuando lo transporte.** De otro modo el equipo podría caer y descomponerse, o caer en sus pies y causarle alguna lesión.
44. **Cuando lo use en ambientes polvorientos, limpie el filtro de esponja más seguido.** Los ambientes polvorientos causan que el filtro de esponja se obstruya o se incendie.

## ADVERTENCIAS DE SEGURIDAD para EQUIPOS OPERADOS CON BATERÍAS

### Uso y cuidado de equipos operados con baterías

1. **Evite el encendido involuntario. Asegúrese de que el interruptor esté en posición de apagado antes de conectar el paquete de baterías, recoger o transportar el aparato.** Transportar el aparato con el dedo en el interruptor, o alimentar el aparato con el interruptor encendido puede causar accidentes.
2. **Desconecte la batería del aparato antes de realizar cualquier ajuste, cambiar accesorios o almacenarlo.** Estas medidas de seguridad preventivas reducen el riesgo de encender el aparato accidentalmente.
3. **Recárguelo solo con el cargador especificado por el fabricante.** Un cargador que es adecuado para determinado tipo de batería puede crear un riesgo de incendio cuando se utiliza con otra batería.
4. **Utilice aparatos solo con baterías indicadas específicamente.** El uso de cualquier otro paquete de baterías puede conllevar riesgo de lesiones e incendio.
5. **Cuando la batería no esté en uso, manténgala alejada de otros objetos metálicos, como clips de papel, monedas, llaves, clavos, tornillos u otros objetos metálicos pequeños, que puedan crear una conexión de un terminal a otro.** El cortocircuito de los terminales de la batería puede causar quemaduras o un incendio.
6. **En condiciones de mal uso, de la batería puede salir líquido; evite el contacto. Si se produce un contacto accidental, enjuáguese con agua. Si el líquido entra en contacto con los ojos, busque además ayuda médica.** El líquido que sale de la batería puede causar irritación o quemaduras.
7. **No utilice una batería o un aparato que esté dañado o modificado.** Las baterías dañadas o modificadas pueden tener un comportamiento impredecible que puede causar incendio, explosión o riesgo de lesiones.
8. **No exponga una batería o un aparato al fuego o a una temperatura excesiva.** La exposición al fuego o a una temperatura por encima de 130 °C puede causar una explosión.
9. **Siga todas las instrucciones de carga y no cargue la batería o el equipo fuera del rango de temperatura especificado en el instructivo.** La carga incorrecta o a temperaturas fuera del rango especificado puede dañar la batería y aumentar el riesgo de incendio.
10. **El mantenimiento debe ser realizado por un técnico calificado utilizando solo piezas de repuesto idénticas.** Esto garantizará que se respete la seguridad del producto.

11. **No modifique ni intente reparar el aparato o la batería, excepto como se indica en las instrucciones de uso y de cuidados.**

## Instrucciones de seguridad importantes para el cartucho de batería

1. **Antes de usar el cartucho de batería, lea todas las instrucciones y marcas de precaución en (1) el cargador de la batería, (2) la batería y (3) el producto que usa la batería.**
2. **No desarme o altere con el cartucho de la batería.** Podría dar como resultado un incendio, calor excesivo o una explosión.
3. **Si el tiempo de funcionamiento se ha vuelto excesivamente más corto, deje de operar el aparato de inmediato. Puede haber un riesgo de sobrecalentamiento, posibles quemaduras e incluso una explosión.**
4. **Si el electrolito le entra en los ojos, enjuáguelos con agua limpia y busque atención médica de inmediato. Podría producirse pérdida de la visión.**
5. **No provoque cortocircuitos en el cartucho de la batería:**
  - (1) **No toque los terminales con ningún material conductor.**
  - (2) **Evite almacenar el cartucho de la batería en un recipiente con otros objetos metálicos como clavos, monedas, etcétera.**
  - (3) **No exponga el cartucho de la batería al agua o a la lluvia.**

Un cortocircuito en la batería puede causar un gran flujo de corriente, sobrecalentamiento, posibles quemaduras e incluso una avería.

6. **No almacene o use el equipo ni el cartucho de batería en lugares donde la temperatura exceda los 50 °C (122 °F).**
7. **No incinere el cartucho de la batería aunque esté gravemente dañado o esté completamente desgastado. El cartucho de la batería puede explotar en caso de incendio.**
8. **No clave, corte, apriete, arroje, deje caer el cartucho de la batería o golpee contra un objeto duro.** Podría dar como resultado un incendio, calor excesivo o una explosión.
9. **No utilice una batería dañada.**
10. **Las baterías de iones de litio contenidas están sujetas a los requisitos de la legislación sobre mercancías peligrosas.**

En los transportes comerciales, por ejemplo, por terceros, deben observarse requisitos especiales en el embalaje y el etiquetado.

Para la preparación del artículo que se transporta, se requiere consultar a un experto en materiales peligrosos. Por favor, observe también las regulaciones nacionales que, posiblemente, sean más detalladas.

Tape o enmascare los contactos abiertos y empaque la batería de tal manera que no pueda moverse en el embalaje.
11. **Cuando deseche el cartucho de la batería, remuévalo del equipo y deséchelo en un lugar seguro. Siga las normas locales relativas al desecho de la batería.**

12. **Utilice las baterías únicamente con los productos especificados por Makita.** La instalación de las baterías en productos que incumplan las normas puede provocar incendios, calor excesivo, una explosión o una fuga de electrolitos.
13. **Si el equipo no está en uso por largos períodos de tiempo, la batería deberá ser removida del equipo.**
14. **Durante y después del uso, el cartucho de la batería podría calentarse y causar quemaduras o quemaduras de bajas temperaturas. Preste atención a la manipulación de cartuchos de baterías calientes.**
15. **No toque la terminal del equipo inmediatamente después de su uso, ya que podría estar lo suficientemente caliente como para causar quemaduras.**
16. **No permita astillas, polvo o tierra atascada en los terminales, los orificios y las ranuras del cartucho de la batería.** Esto podría generar un mal rendimiento o una descompostura en el equipo o en el cartucho de la batería.
17. **A menos que el equipo soporte el uso cercano de líneas de alimentación eléctricas de alto voltaje, no use el cartucho de baterías cerca de líneas de alimentación eléctrica de alto voltaje.** Esto podría resultar en un mal funcionamiento o descompostura del equipo o el cartucho de la batería.
18. **Mantenga la batería fuera del alcance de los niños.**

## GUARDE ESTAS INSTRUCCIONES.

**⚠ PRECAUCIÓN:** Use únicamente las baterías originales Makita. El uso de baterías Makita no originales, o de baterías que hayan sido alteradas, puede causar la explosión de la batería, incendios, lesiones personales y daños. También anulará la garantía Makita respecto al equipo y cargador Makita.

## Consejos para conservar la máxima duración de la batería

1. **Cargue el cartucho de la batería antes de que se descargue por completo. Detenga siempre el funcionamiento del aparato y cargue el cartucho de la batería cuando observe menos energía en el aparato.**
2. **Nunca recargue un cartucho de batería completamente cargado. La sobrecarga acorta la vida útil de la batería.**
3. **Cargue el cartucho de la batería a temperatura ambiente a 10 °C - 40 °C (50 °F - 104 °F). Si el cartucho de batería está caliente permita que se enfríe antes de cargarlo.**
4. **Cuando no use el cartucho de la batería, remuévalo del equipo o del cargador.**
5. **Cargue el cartucho de batería si no lo utiliza durante un período prolongado (más de seis meses).**

# DESCRIPCIÓN DE LAS PIEZAS

► Fig.1

1	Panel de control	2	Tapa de la batería
3	Luz LED	4	Tapa superior
5	Gancho de la tapa superior	6	Abridor
7	Manija de transporte	8	Socket "DC IN"
9	Tapa del filtro	10	Fuente de alimentación de puerto USB
11	Botón de encendido	12	Botón de enfriamiento / calentamiento
13	Pantalla de temperatura	14	Indicador de la batería
15	Botón de reducción de temperatura	16	Botón de aumento de temperatura
17	Luz "DC IN"	18	Unidad de temperatura
19	Luz de modo de calentamiento	20	Luz de modo de enfriamiento

## OPERACIÓN

**⚠ PRECAUCIÓN:** No coloque cosas fácilmente perecederas dentro del compartimiento. Los alimentos y bebidas podrían descomponerse.

**NOTA:** Cuando opere el equipo en ambientes de humedad alta, es posible que ocurran fenómenos de condensación sobre el equipo. Esta no es una avería del dispositivo. Use telas secar para limpiar el agua condensada sobre equipo.

### 1. Para conectar la fuente de alimentación

#### A) Batería

**⚠ PRECAUCIÓN:** Siempre apague el equipo antes de instalar o remover el cartucho de la batería.

**⚠ PRECAUCIÓN:** Sujete firmemente el aparato y el cartucho de batería al instalar o extraer el cartucho de batería. Si no se sujeta el aparato y el cartucho de la batería firmemente, es posible que se les escape de las manos y se dañen el aparato y el cartucho de la batería y se produzca una lesión personal.

**⚠ PRECAUCIÓN:** Tengo cuidado de no machucar sus dedos al abrir o cerrar la tapa de la batería.

**⚠ PRECAUCIÓN:** Sea cuidadoso de no machucar sus dedos entre el cartucho de la batería y las terminales. Esto podría ocasionar lesiones cortantes.

Para instalar el cartucho de la batería, abra la tapa superior de la batería.  
Alinee el pestillo del cartucho de batería con la ranura de la carcasa y deslícela en su lugar. Insértela hasta que quede fija en su lugar y escuche un breve clic.

A continuación, cierre la tapa de la batería.  
Para extraer el cartucho de batería, deslícelo del aparato mientras desliza el botón en la parte frontal del cartucho.

► Fig.2 1. Indicador rojo 2. Botón 3. Cartucho de batería

**⚠ PRECAUCIÓN:** instale siempre el cartucho de batería completamente hasta que no se pueda ver el indicador rojo. Si no es así, puede caerse accidentalmente del aparato, lo que le causará lesiones a usted o a alguien cercano.

**⚠ PRECAUCIÓN:** No instale el cartucho de batería por la fuerza. Si el cartucho no se desliza fácilmente, no se está insertando correctamente.

#### B) Adaptador AC (Úselo únicamente en vehículos recreativos)

##### Accesorios opcionales

Cuando use el equipo con energía AC, use el adaptador AC que viene con el equipo. Inserte el enchufe a la entrada "DC IN" del equipo y después inserte el otro extremo a una toma de corriente.

Cuando el equipo esté siendo operado con energía del adaptador AC, la luz "DC IN" se iluminará.

#### C) Adaptador de encendedor de cigarros

Cuando use el equipo con el socket de encendedor de cigarros, hágalo usando el adaptador de encendedor de cigarros que viene con el equipo. Inserte el enchufe a la entrada "DC IN" del equipo y el otro extremo al socket de encendedor de cigarros.

Cuando el equipo esté siendo utilizado con energía del adaptador de encendedor de cigarros, la luz "DC IN" se iluminará.

**⚠ PRECAUCIÓN:** Inserte completamente el enchufe en la entrada "DC IN". Hacerlo de manera incorrecta podría deformar el enchufe o causar un incendio.

**⚠ PRECAUCIÓN:** Siempre cierre la tapa del socket "DC IN" cuando el cable de electricidad no esté conectado. En otro caso objetos externos podrían entrar al equipo y provocar un mal funcionamiento.

**NOTA:** Cuando el equipo cambie de fuente de alimentación, el compresor se detendrá por alrededor de 3 minutos a fin de proteger el compresor.

**NOTA:** Después de apagar el equipo, toma alrededor de 3 minutos que se reinicie el compresor como medida de protección del mismo compresor.

**NOTA:** Si el equipo se detuviera por cualquier motivo aparte de oprimir el botón de encendido, el equipo se encenderá automáticamente cuando la fuente de alimentación del adaptador AC o del adaptador de encendedor de cigarros se reestablezca.

## 2. Para encender el equipo

Oprima el botón de encendido para encender el equipo. Oprima nuevamente el botón de encendido para apagar el equipo.

## 3. Para cambiar a modo enfriamiento / modo calentamiento

Oprima el botón enfriamiento / calentamiento para cambiar el modo de operación.

- Cuando el equipo opere en modo de enfriamiento, la luz de modo enfriamiento se iluminará.
- Cuando el equipo opera en modo de calentamiento, la luz de modo de calentamiento se iluminará.

La pantalla de temperatura parpadea el control de temperatura.

## 4. Para seleccionar el control de temperatura

Oprima el botón de aumento o reducción de temperatura para seleccionar el control de temperatura. Revise el capítulo "ESPECIFICACIONES" para el control de temperatura seleccionable.

El equipo comienza a enfriar / calentar 5 segundos tras ninguna operación. Enseguida el control de temperatura deja de parpadear y la pantalla de temperatura muestra la temperatura actual.

El equipo deja de enfriar / calentar cuando la temperatura actual alcanza el control de temperatura.

## Tips para una refrigeración eficiente

- Abrir la tapa superior por largos periodos de tiempo puede causar un incremento significativo de la temperatura en el compartimiento.
- Limpie regularmente las superficies que entren en contacto con alimentos, así como los sistemas de drenaje accesibles.
- Almacene carne y pescado crudos en recipientes adecuados dentro del compartimiento, a fin de evitar que entren en contacto otros alimentos.
- Si el compartimiento permanece vacío por largos periodos de tiempo:
  - Desconecte el equipo.
  - Descongele el compartimiento.
  - Limpie y seque el compartimiento.
  - Deje la tapa superior abierta a fin de prevenir el desarrollo de moho dentro del compartimiento.

## FUNCIÓN

### Indicación de la capacidad restante de la batería

El indicador de la batería muestra la capacidad restante de la batería. La capacidad restante de la batería se muestra tal como aparece en la siguiente tabla.

Estatus del indicador de la batería.		Capacidad restante
Iluminado	Apagado	
		50 % a 100 %
		20 % a 50 %
		0 % a 20 %
		Cargue la batería.

(Parpadeando)

### (Solo para cartuchos de batería con el indicador)

Pulse el botón de verificación del cartucho de batería para indicar la capacidad restante de la batería. Las luces indicadoras se encienden durante unos segundos.

► Fig.3 1. Lámparas indicadoras 2. Botón de verificación

Lámparas indicadoras			Capacidad restante
Iluminado	Apagado	Parpadeando	
			75 % a 100 %
			50 % a 75 %
			25 % a 50 %
			0 % a 25 %
			Cargue la batería.
			Es posible que la batería no haya funcionado correctamente.

**NOTA:** Dependiendo de las condiciones de uso y la temperatura ambiente, la indicación puede diferir levemente de la capacidad real.

**NOTA:** La primera lámpara indicadora (en el extremo izquierdo) parpadeará cuando funcione el sistema de protección de la batería.

## Equipo / sistema de protección de la batería

El producto está equipado con un sistema de protección. Este sistema desconecta automáticamente la fuente de energía para extender la vida del equipo y de la batería. El equipo va a detenerse automáticamente durante su operación si el equipo o la batería son puestos bajo las siguientes condiciones:

- **Protección contra descarga excesiva de la batería**  
Cuando la capacidad de la batería baja, el equipo se detiene en automático. El indicador de la batería avisa que la batería debe ser recargada. Retire las baterías del equipo y cárguelas.
- **Protección contra sobrecarga eléctrica**  
Cuando el equipo / batería sea operado de modo que reciba una carga excesivamente alta, el equipo se detendrá en automático. En esta situación, detenga la aplicación que esté provocando la sobrecarga eléctrica en el equipo. Enseguida encienda el equipo para reiniciarlo.
- **Protección contra voltajes bajos**  
Cuando la entrada de voltaje del vehículo sea menor al del voltaje nominal, el sistema de protección apagará el equipo y la pantalla de temperatura mostrará "F3", seguida de un sonido bip.
- **Protección contra voltaje excesivo**  
Cuando el voltaje de entrada sea superior que el voltaje nominal, el sistema de protección apagará el equipo y en la pantalla de temperatura aparecerá "F4" seguido de un sonido bip.
- **Protección contra cortocircuitos**  
El circuito cuenta con una función de protección contra cortocircuitos en caso de que estos sucedan. En esta situación, lleve el equipo a una Centro Autorizado Makita o Centro de Servicio del Fabricante.
- **Sistema de protección contra inclinaciones inadecuadas**  
El equipo cuenta con un sistema de protección contra inclinaciones inadecuadas. Cuando opere el equipo en modo enfriar, el equipo se apagará en automático en caso de que el equipo sea colocado bajo alguno de los siguientes ángulos de inclinación:  
Cuando el equipo este posicionado en un ángulo igual o mayor que 30° sobre el nivel del suelo como se muestra en las figuras A, B, C y D, el equipo se apagará y la pantalla de temperatura mostrará "F1" por unos momentos. Toma 3 minutos reestablecer el equipo una vez que ha sido nuevamente posicionado a nivel de suelo.

► Fig.4

## Protecciones contra otras causas

El sistema de protección está también diseñado para otras causas que pudieran dañar el equipo y que permiten que se apague en automático. Siga los siguientes pasos para resetear estas causas, cuando el equipo haya sido llevado a un paro temporal durante su operación.

1. Apague el equipo y enseguida enciéndalo para reiniciarlo.
2. Cargue la batería (s) o reemplácela(s) con batería(s) recargadas.
3. Deje que el equipo y batería(s) se enfríen.

Si no encuentra mejorías al reestablecer el sistema de protección, contacte a su Centro de Servicio Makita local.

## Cargador USB

Hay un puerto USB en el compartimiento de la batería. El puerto USB continuamente libera 5 V de voltaje durante su operación.

**AVISO: Conecte únicamente equipos que sean compatibles con la fuente de poder del puerto USB.** De otro modo podría ocasionar un mal funcionamiento en el equipo.

**AVISO: No conecte la fuente de poder del puerto USB de este equipo con la terminal USB de su computadora.** Podría ocasionar un mal funcionamiento.

**AVISO: Antes de conectar una memoria USB al equipo, haga un respaldo de los datos de su dispositivo USB.** De otro modo la información podría perderse.

**AVISO: Cuando no esté en uso o no esté cargando, remueva el cable USB y cierre la tapa.**

**NOTA:** El equipo no podrá suministrar energía a algunos dispositivos USB.

## Función de memoria

Tras configurar el control de temperatura, si no entra en operación en 5 segundos, la configuración actual quedará memorizada. La próxima vez el equipo iniciará con la misma configuración.

## Cambiando la unidad de temperatura

Usted puede cambiar la unidad de temperatura °C (grados Celsius) o °F (grados Fahrenheit) con el siguiente procedimiento.

1. Encienda el equipo.
2. Oprima el botón de cambio enfriar / calentar hasta que la unidad (°C o °F) empiece a parpadear.
3. Presione el botón de aumento o de reducción de temperatura para seleccionar la unidad.
4. Presione el botón de cambio de enfriar / calentar, o deje el equipo sin operar por 5 segundos. Quedará completada la selección de unidad de temperatura.

## Banda del hombro

**⚠ PRECAUCIÓN:** Asegúrese que la banda del hombro esté firmemente sujeta de manera segura. De lo contrario, puede producirse accidente por una caída.

**⚠ PRECAUCIÓN:** Cuando transporte el equipo, sostenga el equipo incluso si está utilizando la banda del hombro. Transportar el equipo utilizando únicamente la banda del hombro podría ser inestable. La banda del hombro podría zafarse y el equipo golpear otros objetos o causar lesiones.

1. Coloque la banda a través de la manija de transporte.
2. Abroche el cinturón.

► Fig.5

## Error de código

Para errores específicos, la pantalla de temperatura muestra el siguiente código.

Error de código	Error
F1	La protección contra inclinación está activada. Revise la sección acerca de la función de protección contra inclinaciones inadecuadas.
F2	Al quedarse sin batería.
F3	El voltaje de entrada es bajo. Refiera al párrafo de protección contra voltajes bajos.
F4	El voltaje de entrada es alto. Refiera al párrafo sobre protección contra voltajes altos.
Otros códigos de error aparte de los mencionados.	Apague y reinicie el equipo. Si el error aún no mejora, lleve el equipo a un Centro Autorizado Makita o Centro de Servicio del Fabricante.

## MANTENIMIENTO

**⚠ PRECAUCIÓN:** asegúrese siempre de que el aparato esté apagado, desconectado y de que el cartucho de la batería se haya extraído antes de intentar realizar una inspección o mantenimiento.

**⚠ PRECAUCIÓN:** No rocíe o vierta agua sobre el equipo cuando lo limpie. No lave con una manguera; evite que entre agua dentro del equipo.

**AVISO:** Nunca use gasolina, benceno, diluyente, alcohol o productos similares. Pueden producirse decoloración, deformación o grietas.

Para mantener la SEGURIDAD y la CONFIABILIDAD del producto, las reparaciones y cualquier otro mantenimiento o ajuste deben ser realizados por los Centros autorizados o de Servicio de fábrica de Makita, siempre usando piezas de reemplazo de Makita.

## Limpieza

- Limpie las manchas de aceite del compartimiento con regularidad.
- Limpie alrededor del interior del compartimiento para prevenir olores.

- Limpie el polvo en el filtro de esponja regularmente para mejorar la eficiencia de la refrigeración.
- La tira de sellado de la tapa superior se ensucia fácilmente, límpiela a tiempo.

## Descongelar

Para descongelar, apague la fuente de alimentación hasta que la escarcha se haya derretido. Enseguida seque el agua.

## Limpieza del filtro de esponja

**⚠ PRECAUCIÓN:** Después de limpiar la esponja del filtro, asegúrese de colocarla nuevamente dentro del equipo. Operar el equipo sin la esponja del filtro podría provocar un mal funcionamiento.

1. Deslice la tapa del filtro en dirección de las flechas tal como se muestra en la figura, y enseguida remueva la tapa del filtro.
2. Saque el filtro de esponja y límpielo.

► Fig.6

3. Coloque nuevamente el filtro de esponja y la tapa del filtro.

► Fig.7

## ACCESORIOS OPCIONALES

**⚠ PRECAUCIÓN:** estos accesorios o elementos anexos son recomendados para su uso con su herramienta Makita especificado en este manual. El uso de cualquier otro accesorio o elemento anexo podría presentar un riesgo de lesiones para las personas. Utilice únicamente los accesorios para el propósito indicado.

Si necesita ayuda para obtener más detalles con respecto a estos accesorios, pregunte a su Centro de Servicio de Makita local.

- Adaptador AC
- Batería y cargador genuinos de Makita

**NOTA:** Algunos elementos de la lista pueden incluirse en el paquete de la herramienta como accesorios estándares. Pueden diferir de un país a otro.

## GARANTÍA LIMITADA DE MAKITA

Consulte la hoja de garantía adjunta para conocer los términos de garantía más actuales que aplican a este producto. Si la hoja de garantía anexa no está disponible, consulte los detalles de la garantía detallados en el siguiente sitio web para su país respectivo.

Estados Unidos: [www.makitatools.com](http://www.makitatools.com)

Canadá: [www.makita.ca](http://www.makita.ca)

Otros países: [www.makita.com](http://www.makita.com)



# Makita Corporation

3-11-8, Sumiyoshi-cho,  
Anjo, Aichi 446-8502 Japan

[www.makita.com](http://www.makita.com)