



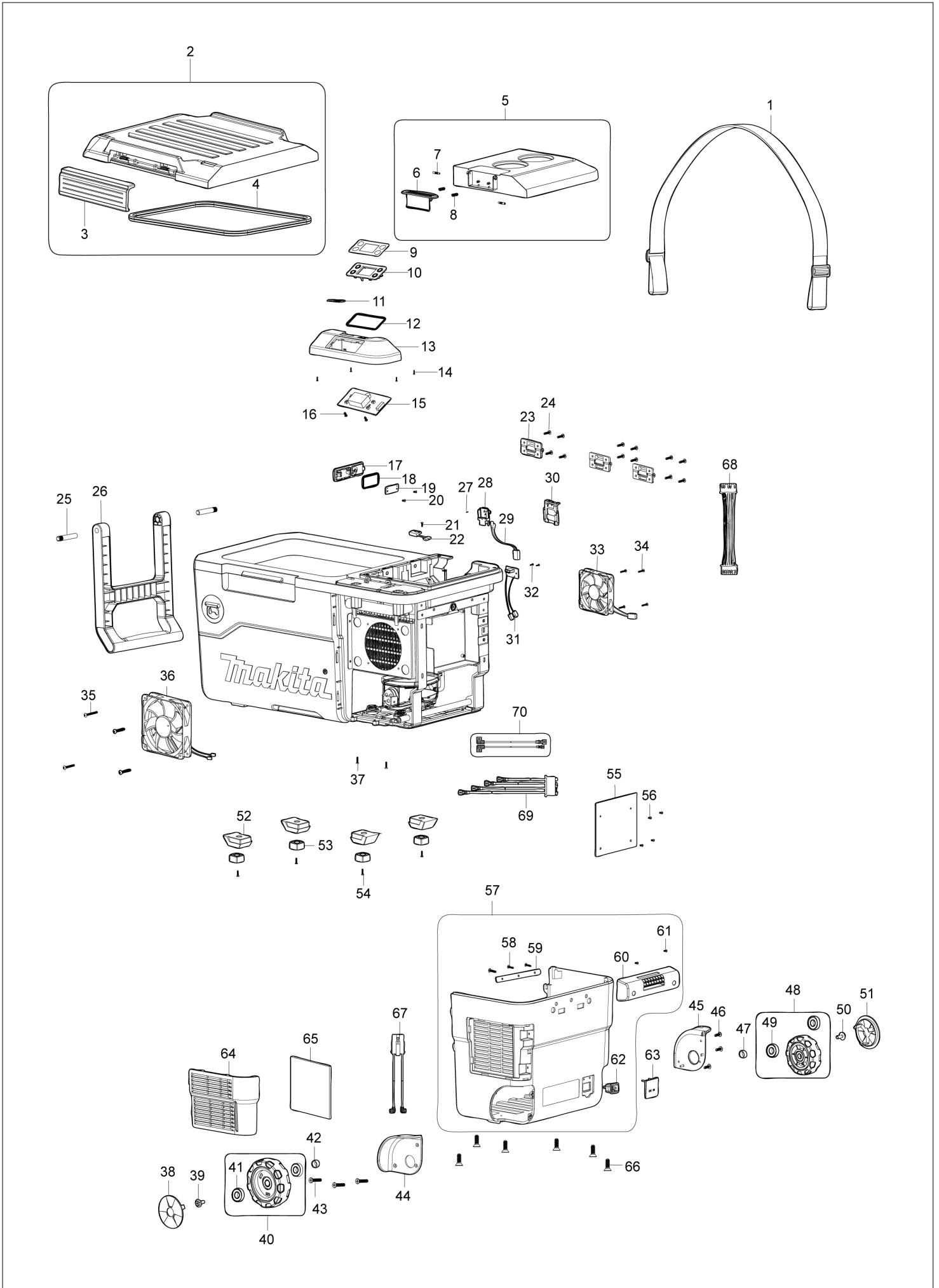
# Diagram / Parts List

**CW001G**

**CORDLESS COOLER & WARMER BOX**



# (IN) CW001G / CORDLESS COOLER & WARMER BOX



### CW001G / CORDLESS COOLER\_WARMER BOX

Item	Sub	Parts No.	Parts Description	Qty	I/C	E/C No.	Close No.	Remark
001		A-71093	SHOULDER BELT	1				
002		WL00000004	TOP COVER ASSY	1				
	D10		INC. 3,4					
003		WL00000005	HANDLE A	1				
004		WL00000006	SEALING	1				
005		WL00000088	BATTERY COVER	1				
	D10		INC. 6,7,8					
006		WL00000089	HANDLE B	1				
007		WL00000090	SHAFT	2				
008		WL00000010	COMPRESSION SPRING 5MM	2				
009		WL00000092	CONTROL FILM	1				
010		WL00000093	SWITCH PANEL	1				
011		WL00000094	XGT LABEL	1				
012		WL00000013	SEALING B	1				
013		WL00000095	CONTROL PANEL	1				
014		WL00000015	TAPPING SCREW 3X10	4				
015		WL00000096	CONTROL PCB	1				
016		WL00000017	TAPPING SCREW 3X8	2				
017		WL00000018	THERMOSTAT TOP COVER	1				
018		WL00000019	SEALING C	1				
019		WL00000097	LIGHT BOARD ASSY	1				
020		WL00000017	TAPPING SCREW 3X8	2				
021		WL00000015	TAPPING SCREW 3X10	1				
022		WL00000021	MAGNETIC SWITCH WITH CABLE	1				
023		WL00000022	HINGE	3				
024		WL00000023	TAPPING SCREW 4X16	12				
025		WL00000025	SHAFT 10MM (DRAG HANDLE)	2				
026		WL00000026	DRAG HANDLE	1				
027		WL00000098	SCREWS ST3X8	1				
028		WL00000099	BATTERY TERMINAL	1				
029		WL00000100	LEAD WIRE	1				
030		WL00000101	BATTERY TERMINAL COVER	1				
031		WL00000102	USB PCB	1				
032		WL00000015	TAPPING SCREW 3X10	2				
033		WL00000103	FAN (AIR OUTLET)	1				
034		WL00000104	SCREWS M4X30	4				
035		WL00000104	SCREWS M4X30	4				
036		WL00000030	FAN (AIR INLET) WITH CABLE	1				
037		WL00000023	TAPPING SCREW 4X16	2				
038		WL00000105	WHEEL COVER	1				
039		WL00000032	SCREW M6X16 WITH WASHER	1				
040		WL00000033	WHEEL ASSY	1				
	D10		INC. 41					
041		WL00000034	BEARING FOR SHAFT	2				
042		WL00000035	SHAFT SLEEVE 12MM	1				
043		WL00000036	COUNTERSUNK TAPPING SCREW 4X1	3				
044		WL00000106	LEFT WHEEL COVER BLUE	1				
045		WL00000107	RIGHT WHEEL COVER BLUE	1				
046		WL00000036	COUNTERSUNK TAPPING SCREW 4X1	3				
047		WL00000035	SHAFT SLEEVE 12MM	1				
048		WL00000033	WHEEL ASSY	1				
	D10		INC. 49					
049		WL00000034	BEARING FOR SHAFT	2				
050		WL00000032	SCREW M6X16 WITH WASHER	1				
051		WL00000105	WHEEL COVER	1				
052		WL00000039	FOOT	4				
053		WL00000040	FOOT PAD	4				
054		WL00000023	TAPPING SCREW 4X16	4				
055		WL00000108	POWER PCB	1				
056		WL00000017	TAPPING SCREW 3X8	4				
057		WL00000109	REAR COVER ASSY(BLUE)	1				
	D10		INC. 58-62					
058		WL00000044	TAPPING SCREW 4X12	3				
059		WL00000045	HANDLE STRENGTHEN IRON	1				
060		WL00000046	LIFTED HANDLE R	1				

A:

Interchange  
 O : Yes  
 X : No  
 < : the new part can be substituted for the current.  
 > : the current part can be substituted for the new.  
 S : Interchangeable as a set.

