



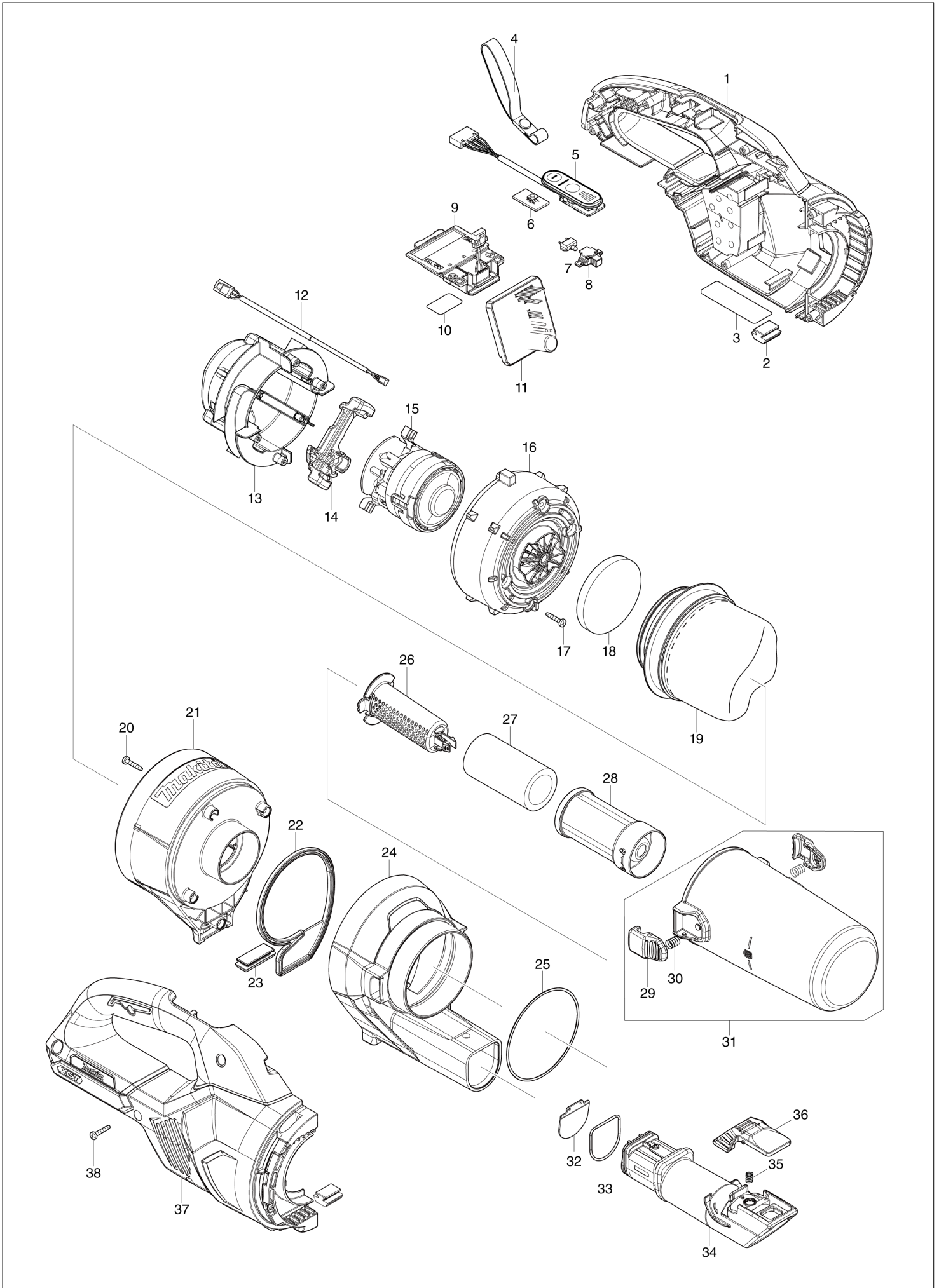
Diagram / Parts List

CL003G

CORDLESS CLEANER



(IN) CL003G / CORDLESS CLEANER



IN

INDIA

CL003G / CORDLESS CLEANER

Item	Sub	Parts No.	Parts Description	Qty	I/C	E/C No.	Close No.	Remark
001		183W54-1	HOUSING SET	1				
	C10	263005-3	RUBBER PIN 6	2				
	C20	422714-5	SPONGE SEAT	2				
	C30	8005T5-8	XGT LOGO LABEL	1				
	D10		INC. 2,37					
002		422460-0	RUBBER PLATE	2				
003		858F40-6	CL003G NAME PLATE	1				
004		163400-6	HANDSTRAP	1				
005		141B54-1	INDICATION CIRCUIT COMPLETE	1				
	C10	8031J2-9	SWITCH LABEL	1				
006		620E74-1	SWITCH UNIT	1				
007		620E82-2	LED CIRCUIT	1				
008		141H09-2	LED CASE COMPLETE	1				
009		632P65-6	TERMINAL UNIT	1				
010		858F47-2	CL003G SERIAL NO. LABEL	1				
011		620E72-5	CONTROLLER	1				
012		632S32-9	LEAD UNIT	1				
013		141E55-7	MOTOR COVER R COMPLETE	1				
	C10	263002-9	RUBBER PIN 4	4				
014		422723-4	MOTOR COVER SEAL	1				
015		629A46-9	MOTOR ASSEMBLY	1				
016		413645-9	MOTOR COVER F	1				
017		266429-2	TAPPING SCREW 3X16	4				
018		422909-0	SPONGE SHEET 62	1				
019		1910C7-9	HIGH PERFORMANCE FILTER SET	1				
020		266429-2	TAPPING SCREW 3X16	4				
021		413H34-6	FILTER HOUSING	1				
022		422884-0	SEAL	1				
023		422885-8	RUBBER PLATE	1				
024		413H35-4	FRONT HOUSING	1				
025		213884-9	O RING 72	1				
026		413H21-5	MESH PIPE	1				
027		422908-2	SPONGE FILTER	1				
028		413H29-9	PREFILTER	1				
029		459106-5	STOPPER	2				
030		232460-0	COMPRESSION SPRING 7	2				
031		136713-8	DUST BOX ASSEMBLY	1				
	D10		INC. 29,30					
032		422886-6	VALVE	1				
033		213837-8	O-RING 29	1				
034		413H36-2	INLET	1				
035		232485-4	COMPRESSION SPRING 5	1				
036		413H20-7	LEVER	1				
037		183W54-1	HOUSING SET	1				
	C10	263005-3	RUBBER PIN 6	2				
	C20	422714-5	SPONGE SEAT	2				
	C30	8005T5-8	XGT LOGO LABEL	1				
	D10		INC. 1,2					
038		266429-2	TAPPING SCREW 3X16	7				
A01		127827-4	NOZZLE ASSEMBLY	1				
	C10	451410-8	ROLLER	4				
	C20	268208-4	PIN 3	4				
	C30	424096-1	WIPER	1				
A02		413859-0	SASH NOZZLE	1				
A03		459355-4	NOZZLE HOLDER	1				
A04		459356-2	PIPE	1				
A10B		***DC40RA	DC40RA FAST CHARGER	1				
	D10		COMPO-PARTS					
A11B		191B41-0	BATTERY BL4025 SET	2				
A12B		412393-7	BATTERY COVER	2				

B:CL003GD201(H)

Interchange

O : Yes

X : No

< : the new part can be substituted for the current.

> : the current part can be substituted for the new.

S : Interchangeable as a set.