



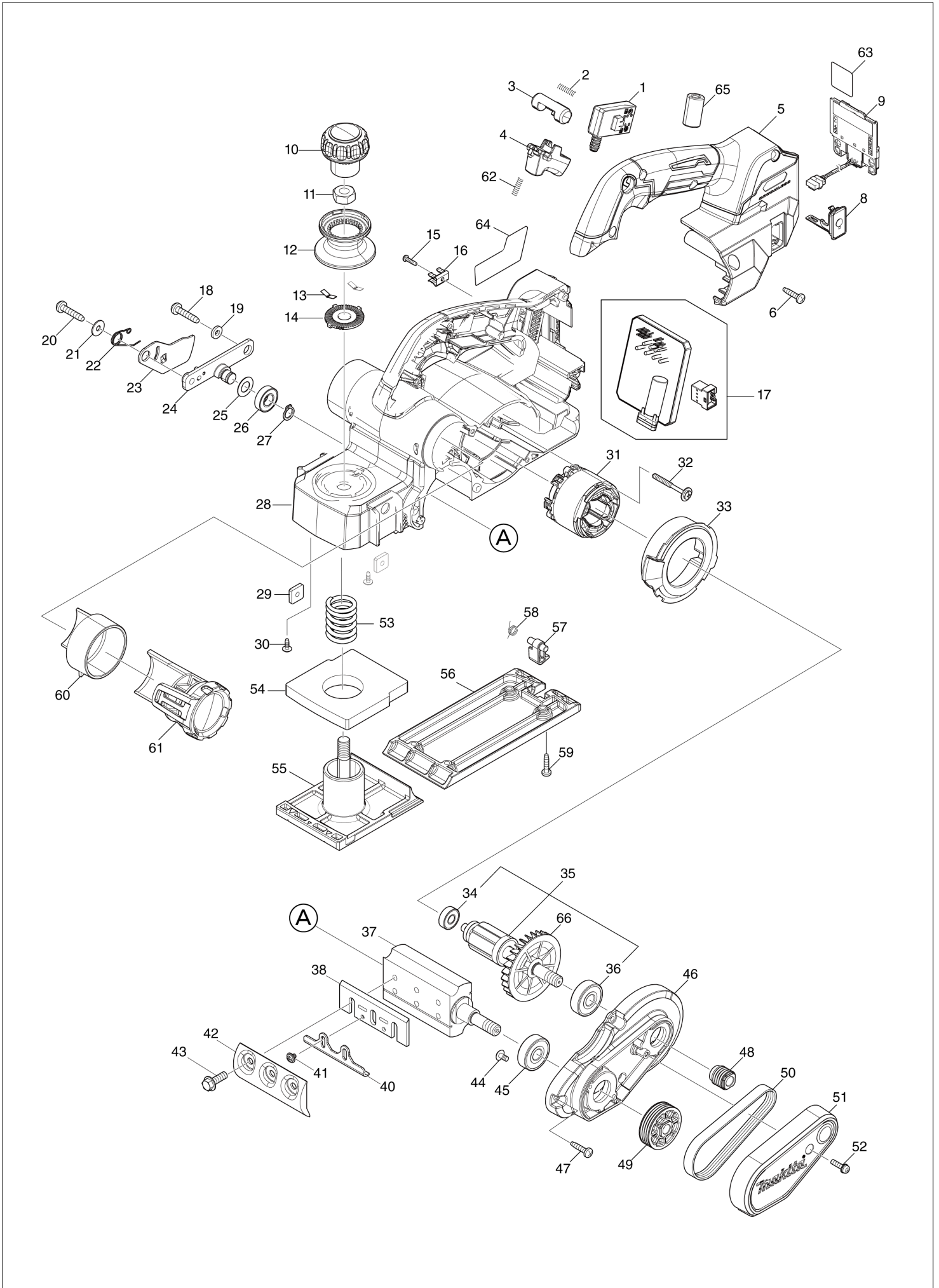
Diagram / Parts List

KP001G

82MM CORDLESS PLANER



(IN) KP001G / 82MM CORDLESS PLANER



KP001G / 82MM CORDLESS PLANER

Item	Sub	Parts No.	Parts Description	Qty	I/C	E/C No.	Close No.	Remark
001		651083-9	SWITCH C3XA-1PSPM	1				
002		231433-0	COMPRESSION SPRING 4	1				
003		419704-7	LOCK OFF BUTTON	1				
004		457432-6	SWITCH LEVER	1				
005		136650-6	HANDLE COVER SET	1				
	C10	263005-3	RUBBER PIN 6	1				
	C20	8005T5-8	XGT LOGO LABEL	1				
006		265995-6	TAPPING SCREW 4X18	6				
008		140F99-0	CAP COMPLETE	1				
	C10	213A05-9	O-RING16	1				
	C20	818H07-8	CAP LABEL	1				
009		632P49-4	TERMINAL UNIT	1				
010		451328-3	KNOB COVER	1				
011		252313-7	HEX. NUT M10	1				
012		413F22-1	KNOB	1				
013		232185-6	LEAF SPRING	2				
014		347970-5	CAM PLATE	1				
015		266556-5	TAPPING SCREW 3X12	1				
016		232570-3	LEAF SPRING	1				
017		620J02-6	CONTROLLER	1				
018		266041-8	TAPPING SCREW 5X25	1				
019		267012-8	FLAT WASHER 5	1				
020		266041-8	TAPPING SCREW 5X25	1				
021		253194-2	FLAT WASHER 5	1				
022		233521-9	TORSION SPRING 10	1				
023		345765-0	DRUM COVER	1				
024		158184-9	DRUM HOLDER COMPLETE	1				
025		253758-2	FLAT WASHER 10	1				
026		210057-5	BALL BEARING 6900LLB	1				
027		961006-2	RETAINING RING S-10	1				
028		136606-9	MAIN FRAME ASSEMBLY	1				
	C10	263005-3	RUBBER PIN 6	1				
029		264002-2	SQUARE NUT M5	2				
030		265A77-0	TAPPING SCREW 3X10	2				
031		629B15-6	STATOR	1				
032		265679-6	TAPPING SCREW 4X40	2				
033		459891-0	BAFFLE PLATE	1				
034		210034-7	BALL BEARING 607LLB	1				
035		519742-0	ROTOR ASS'Y	1				
	D10		INC. 34,36,66					
036		211087-9	BALL BEARING 6200DDW	1				
037		158156-4	DRUM COMPLETE	1				
038		D-16346	82MM HSS PLANER BLADE	1				
040		345644-2	ADJUST PLATE	2				
041		251246-3	+ PAN HEAD SCREW M4X5	4				
042		187676-1	DRUM PLATE SET	1				
043		251609-3	HEX. FLANGE HEAD BOLT M6X17	6				
044		251291-8	+ SCREW M4X8	2				
045		211087-9	BALL BEARING 6200DDW	1				
046		141J58-1	BRACKET COMPLETE	1				
	C10	263002-9	RUBBER PIN 4	1				
047		265995-6	TAPPING SCREW 4X18	4				
048		222193-5	V-PULLEY 4-17L	1				
049		222194-3	V-PULLEY 4-39.5	1				
050		225071-8	POLY V-BELT 4-241	1				
051		459893-6	BELT COVER	1				
052		911133-5	PAN HEAD SCREW M4X18	1				
053		231004-3	COMPRESSION SPRING 18	1				
054		422531-3	RUBBER PACKING	1				
055		312C78-2	FRONT BASE	1				
056		312D13-6	BASE	1				
057		413L64-1	FOOT	1				
058		231698-4	TORSION SPRING 7	1				
059		265995-6	TAPPING SCREW 4X18	4				
060		459892-8	NOZZLE	1				

A:
B:

Interchange
O : Yes
X : No
< : the new part can be substituted for the current.
> : the current part can be substituted for the new.
S : Interchangeable as a set.

