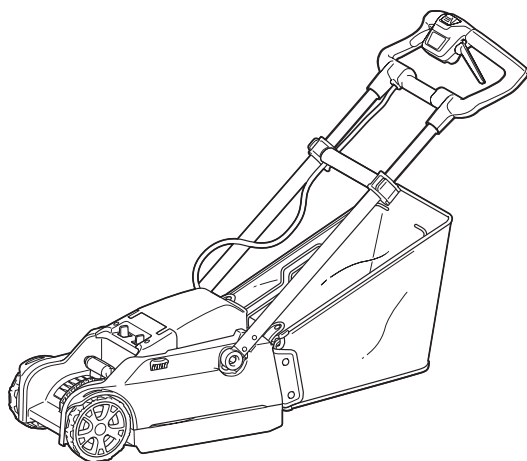


INSTRUCTION MANUAL



Cordless Lawn Mower

DLM230



Read before use.



Read before use.

SPECIFICATIONS

Model:		DLM230
No load speed		7,000 min ⁻¹
Cutting height		10 mm - 55 mm
Cutting width		230 mm
Dimensions (L x W x H)	during operation (with grass basket)	L: 860 mm to 1,105 mm W: 256 mm H: 680 mm to 920 mm
	when stored (without grass basket) (with upright position)	264 mm x 363 mm x 780 mm
Rated voltage		D.C. 18 V
Net weight		8.6 - 8.9 kg
Protection degree		IPX4

- Due to our continuing program of research and development, the specifications herein are subject to change without notice.
- Specifications may differ from country to country.
- The weight may differ depending on the attachment(s), including the battery cartridge. The lightest and heaviest combination, according to EPTA-Procedure 01/2014, are shown in the table.

Applicable battery cartridge and charger

Battery cartridge	BL1820B / BL1830B / BL1840B / BL1850B / BL1860B
Charger	DC18RC / DC18RD / DC18RE / DC18SD / DC18SE / DC18SF / DC18SH

- Some of the battery cartridges and chargers listed above may not be available depending on your region of residence.

⚠ WARNING: Only use the battery cartridges and chargers listed above. Use of any other battery cartridges and chargers may cause injury and/or fire.

⚠ WARNING: Do not use a corded power supply such as battery adapter or portable power pack with this machine. The cable of such power supply may hinder the operation and result in personal injury.

Symbols

The followings show the symbols which may be used for the equipment. Be sure that you understand their meaning before use.

	Take particular care and attention.
	Read instruction manual.
	Danger; be aware of thrown objects.
	The distance between the tool and bystanders must be at least 15 m.
	Never put your hands and feet near the mower blade under the mower. Mower blades continue to rotate after the motor is switched off.
	Warning; Disconnect battery before maintenance.
	Be sure to install the grass basket before use.
	Warning; Do not place hand, fingers or foot close to the mower blade.

Intended use

The machine is intended for lawn mowing.

SAFETY WARNINGS

IMPORTANT SAFETY INSTRUCTIONS

⚠ WARNING: Read all safety warnings and all instructions. Failure to follow the warnings and instructions may result in electric shock, fire and/or serious injury.

Save all warnings and instructions for future reference.

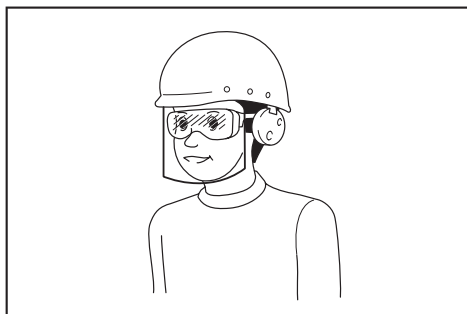
Training

1. **Read the instructions carefully. Be familiar with the controls and the proper use of the mower.**
2. **Never allow children or people unfamiliar with these instructions to use the mower. Local regulations can restrict the age of the operator.**
3. **Never operate the mower while people, especially children, or pets are nearby.**

4. Keep in mind that the operator or user is responsible for accidents or hazards occurring to other people or their property.
5. Children should be supervised to ensure that they do not play with the mower.
6. Do not operate machines in explosive atmospheres, such as in the presence of flammable liquids, gases or dust. Machines create sparks which may ignite the dust or fumes.
7. **Physical condition - Do not operate mower while under the influence of drugs, alcohol, or any medication.**

Preparation

1. While operating the mower, always wear substantial footwear and long trousers. Do not operate the mower when barefoot or wearing open sandals. Avoid wearing clothing or jewelry that is loose fitting or that has hanging cords or ties. They can be caught in moving parts.
2. Before use, always visually inspect the mower for damaged, missing or misplaced guards or shields.
3. Be sure the area is clear of other people before mowing. Stop mower if anyone enters the area.
4. Do not insert the battery cartridge into mower until it is ready to be used.
5. Use personal protective equipment. Always wear eye protection. Protective equipment such as a dust mask, non-skid safety shoes, hard hat or hearing protection used for appropriate conditions will reduce personal injuries.
6. Always wear protective goggles to protect your eyes from injury when using power tools. The goggles must comply with ANSI Z87.1 in the USA, EN 166 in Europe, or AS/NZS 1336 in Australia/New Zealand. In Australia/New Zealand, it is legally required to wear a face shield to protect your face, too.



It is an employer's responsibility to enforce the use of appropriate safety protective equipments by the tool operators and by other persons in the immediate working area.

7. Check the mower blades or mower blade bolts carefully for cracks or damage before operation. Replace cracked or damaged mower blades or mower blade bolts immediately.
8. Remove foreign matters such as rocks, wire, bottles, bones and large sticks from the work area before mowing to prevent personal injury or damage to the mower.

9. Objects struck by the mower blade can cause severe injuries to persons. The lawn should always be carefully examined and cleared of all objects prior to each mowing.
10. Watch for holes, ruts, bumps, rocks, or other hidden objects. Uneven terrain could cause a slip and fall accident. Tall grass can hide obstacles.
11. Keep handles and grasping surfaces dry, clean and free from oil and grease. Slippery handles and grasping surfaces do not allow for safe handling and control of the tool in unexpected situations.

Operation

1. Do not overreach. Keep the balance at all times. Always be sure of the footing on slopes. Walk, never run.
2. Stop the mower and remove the battery cartridge, and make sure that all moving parts have come to a complete stop:
 - whenever you leave the mower,
 - before clearing blockages or unclogging chute,
 - before checking, cleaning or working on the mower,
 - after striking a foreign object. Inspect the mower for damage and make repairs before restarting and operating the mower,
 - whenever the mower starts vibrating abnormally.
3. Never operate the mower with defective guards or shields, or without safety devices, for example deflectors and/or grass basket, in place.
4. Avoid using the mower in bad weather conditions especially when there is a risk of lightning.
5. Wear eye protection and stout shoes at all times while operating the mower.
6. Operate the mower only in daylight or in good artificial light.
7. Switch on the mower carefully according to instructions and with feet well away from the mower blade(s).
8. Take care against injury to feet and hands from the mower blades.
9. Always ensure that the ventilation openings are kept clear of debris.
10. Mow across the face of slopes, never up and down. Exercise extreme caution when changing direction on slopes. Do not mow excessively steep slopes.
11. Use extreme caution when reversing or pulling the mower towards you.
12. Stop the mower blade(s) if the mower has to be tilted for transportation when crossing surfaces other than grass, and when transporting the mower to and from the area to be used.
13. Do not tilt the mower when switching on the motor, except if the mower has to be tilted for starting. In this case, do not tilt it more than absolutely necessary and lift only the part, which is away from the operator. Always ensure that both hands are in the operating position before returning the mower to the ground.

14. **Do not put hands or feet near or under rotating parts. Keep clear of the discharge opening at all times.**
15. **Do not transport the mower while the mower is turned on.**
16. **Avoid dangerous environment. Don't use the machine in dump or wet locations or expose it to rain.** Water entering the machine will increase the risk of electric shock.
17. **Avoid operating the mower in wet grass.**
18. **Never operate the mower in the rain.**
19. **Always keep a firm hold on the handle.**
20. **Do not grasp the exposed mower blades or cutting edges when picking up or holding the mower.**
21. **Keep hands and feet away from rotating mower blades. Caution - Mower blades coast after the mower is switched off.**
22. **Stop operation immediately if you notice anything unusual. Switch off the mower and remove the battery cartridge. Then inspect the mower.**
23. **Never attempt to make cutting height adjustments while mower is running if the mower has cutting height adjustment feature.**
24. **Release switch lever and wait for mower blade rotation to stop before crossing driveways, walks, roads, and any gravel-covered areas. Also remove the battery cartridge if you leave the mower, reach to pick up or remove something out of your way, or for any other reason that may distract you from what you are doing.**
25. **If the mower strikes a foreign object, follow these steps:**
 - Stop the mower, release the switch lever and wait until the mower blade comes to a complete stop.
 - Remove the battery cartridge.
 - Thoroughly inspect the mower for any damage.
 - Replace the mower blade if it is damaged in any way. Repair any damage before restarting and continuing to operate the mower.
26. **Do not start the mower when standing in front of the discharge opening.**
27. **If the mower starts to vibrate abnormally (check immediately)**
 - inspect for damage,
 - replace or repair any damaged parts,
 - check for and tighten any loose parts.
28. **Never direct discharged material toward anyone. Avoid discharging material against a wall or obstruction.** Material may ricochet back toward the operator. Stop the mower blade when crossing gravel surfaces.
29. **Do not pull the mower backwards unless absolutely necessary.** When you are compelled to back the mower from a fence or other similar obstruction, look down and behind before and while moving backwards.
30. **Shut the motor off and wait until the mower blade comes to a complete stop before removing the grass basket.** Beware that the mower blades coast after turn off.

Maintenance and storage

1. **Replace worn or damaged parts for safety. Use only genuine replacement parts and accessories.**
2. **Inspect and maintain the mower regularly.**
3. **When not in use, store the mower out of the reach of children.**
4. **Keep all nuts, bolts, and screws tight to be sure the equipment is in safe working condition.**
5. **Check the grass basket frequently for wear or deterioration. For storage, always make sure the grass basket is empty. Replace a worn grass basket with a new factory replacement for safety.**
6. **Use only the manufacturer genuine mower blades specified in this manual.**
7. **Be careful during adjustment of the mower to prevent entrapment of the fingers between moving mower blades and fixed parts of the mower.**
8. **Do not wash with a hose; avoid getting water in motor and electrical connections.**
9. **When installing the mower blade, make sure that the mower blade is installed firmly. Read and follow the instruction manual carefully. Inadequate or incomplete fixation may cause an injury.**
10. **Check the mower blade mounting bolt at frequent intervals for proper tightness.**
11. **Always allow the mower to cool down before storing.**
12. **When servicing the mower blades be aware that, even though the power source is switched off, the mower blades can still be moved.**
13. **Never remove or tamper with safety devices. Check their proper operation regularly. Never do anything to interfere with the intended function of a safety device or to reduce the protection provided by a safety device.**

Battery tool use and care

1. **Recharge only with the charger specified by the manufacturer.** A charger that is suitable for one type of battery pack may create a risk of fire when used with another battery pack.
2. **Use power tools only with specifically designated battery packs.** Use of any other battery packs may create a risk of injury and fire.
3. **When battery pack is not in use, keep it away from other metal objects, like paper clips, coins, keys, nails, screws or other small metal objects, that can make a connection from one terminal to another.** Shorting the battery terminals together may cause burns or a fire.
4. **Under abusive conditions, liquid may be ejected from the battery; avoid contact. If contact accidentally occurs, flush with water. If liquid contacts eyes, additionally seek medical help.** Liquid ejected from the battery may cause irritation or burns.
5. **Do not use a battery pack or tool that is damaged or modified.** Damaged or modified batteries may exhibit unpredictable behaviour resulting in fire, explosion or risk of injury.
6. **Do not expose a battery pack or tool to fire or excessive temperature.** Exposure to fire or temperature above 130 °C may cause explosion.

7. Follow all charging instructions and do not charge the battery pack or tool outside the temperature range specified in the instructions. Charging improperly or at temperatures outside the specified range may damage the battery and increase the risk of fire.

Electrical and battery safety

1. Do not dispose of the battery(ies) in a fire. The cell may explode. Check with local codes for possible special disposal instructions.
2. Do not open or mutilate the battery(ies). Released electrolyte is corrosive and may cause damage to the eyes or skin. It may be toxic if swallowed.
3. Do not charge battery in rain, or in wet locations.
4. Do not charge the battery outdoors.
5. Do not handle charger, including charger plug, and charger terminals with wet hands.

Service

1. Have your power tool serviced by a qualified repair person using only identical replacement parts. This will ensure that the safety of the power tool is maintained.
2. Never service damaged battery packs. Service of battery packs should only be performed by the manufacturer or authorized service providers.

SAVE THESE INSTRUCTIONS.

⚠ WARNING: DO NOT let comfort or familiarity with product (gained from repeated use) replace strict adherence to safety rules for the subject product.

MISUSE or failure to follow the safety rules stated in this instruction manual may cause serious personal injury.

Important safety instructions for battery cartridge

1. Before using battery cartridge, read all instructions and cautionary markings on (1) battery charger, (2) battery, and (3) product using battery.
2. Do not disassemble or tamper with the battery cartridge. It may result in a fire, excessive heat, or explosion.
3. If operating time has become excessively shorter, stop operating immediately. It may result in a risk of overheating, possible burns and even an explosion.
4. If electrolyte gets into your eyes, rinse them out with clear water and seek medical attention right away. It may result in loss of your eyesight.
5. Do not short the battery cartridge:
 - (1) Do not touch the terminals with any conductive material.
 - (2) Avoid storing battery cartridge in a container with other metal objects such as nails, coins, etc.
 - (3) Do not expose battery cartridge to water or rain.

A battery short can cause a large current flow, overheating, possible burns and even a breakdown.















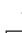
6. Do not store and use the tool and battery cartridge in locations where the temperature may reach or exceed 50 °C (122 °F).
7. Do not incinerate the battery cartridge even if it is severely damaged or is completely worn out. The battery cartridge can explode in a fire.
8. Do not nail, cut, crush, throw, drop the battery cartridge, or hit against a hard object to the battery cartridge. Such conduct may result in a fire, excessive heat, or explosion.
9. Do not use a damaged battery.
10. The contained lithium-ion batteries are subject to the Dangerous Goods Legislation requirements. For commercial transports e.g. by third parties, forwarding agents, special requirement on packaging and labeling must be observed. For preparation of the item being shipped, consulting an expert for hazardous material is required. Please also observe possibly more detailed national regulations. Tape or mask off open contacts and pack up the battery in such a manner that it cannot move around in the packaging.
11. When disposing the battery cartridge, remove it from the tool and dispose of it in a safe place. Follow your local regulations relating to disposal of battery.
12. Use the batteries only with the products specified by Makita. Installing the batteries to non-compliant products may result in a fire, excessive heat, explosion, or leak of electrolyte.
13. If the tool is not used for a long period of time, the battery must be removed from the tool.
14. During and after use, the battery cartridge may take on heat which can cause burns or low temperature burns. Pay attention to the handling of hot battery cartridges.
15. Do not touch the terminal of the tool immediately after use as it may get hot enough to cause burns.
16. Do not allow chips, dust, or soil stuck into the terminals, holes, and grooves of the battery cartridge. It may cause heating, catching fire, burst and malfunction of the tool or battery cartridge, resulting in burns or personal injury.
17. Unless the tool supports the use near high-voltage electrical power lines, do not use the battery cartridge near high-voltage electrical power lines. It may result in a malfunction or breakdown of the tool or battery cartridge.
18. Keep the battery away from children.

SAVE THESE INSTRUCTIONS.

⚠ CAUTION: Only use genuine Makita batteries. Use of non-genuine Makita batteries, or batteries that have been altered, may result in the battery bursting causing fires, personal injury and damage. It will also void the Makita warranty for the Makita tool and charger.

Tips for maintaining maximum battery life

1. Charge the battery cartridge before completely discharged. Always stop tool operation and charge the battery cartridge when you notice less tool power.
2. Never recharge a fully charged battery cartridge. Overcharging shortens the battery service life.
3. Charge the battery cartridge with room temperature at 10 °C - 40 °C (50 °F - 104 °F). Let a hot battery cartridge cool down before charging it.
4. When not using the battery cartridge, remove it from the tool or the charger.
5. Charge the battery cartridge if you do not use it for a long period (more than six months).

Indicator lamps			Remaining capacity
 Lighted	 Off	 Blinking	
			75% to 100%
			50% to 75%
			25% to 50%
			0% to 25%
			Charge the battery.
			The battery may have malfunctioned.

FUNCTIONAL DESCRIPTION

CAUTION: Always be sure that the machine is switched off and the battery cartridge is removed before adjusting or checking function on the machine.

Indicating the remaining battery capacity

Only for battery cartridges with the indicator

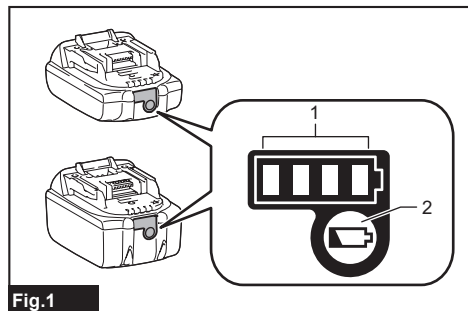


Fig.1

▶ 1. Indicator lamps 2. Check button

Press the check button on the battery cartridge to indicate the remaining battery capacity. The indicator lamps light up for a few seconds.

NOTE: Depending on the conditions of use and the ambient temperature, the indication may differ slightly from the actual capacity.

NOTE: The first (far left) indicator lamp will blink when the battery protection system works.

Adjusting the mowing height

WARNING: Never put your hand or leg under the mower body when adjusting the mowing height.

CAUTION: Always be sure that the machine is switched off and the battery cartridge is removed before adjusting the mowing height.

You can adjust the mowing height in the range of 10 mm to 55 mm.

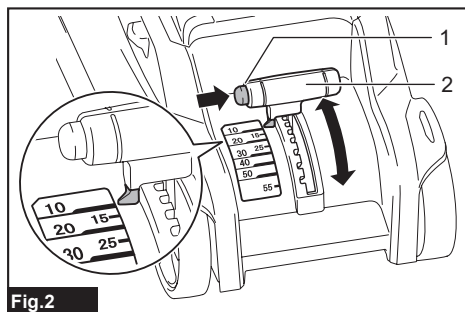


Fig.2

▶ 1. Lock button 2. Adjusting lever

Place one hand on the main unit of the machine, and then move the adjusting lever forward or backward to the desired height with the other hand while pressing the lock button on the adjusting lever. Release the lock button at the desired height.

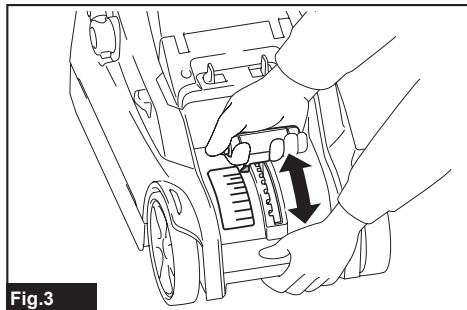


Fig. 3

NOTICE: Make sure the lock button is properly locked after the adjustment.

NOTE: The mowing height figures should be used just as a guideline. Depending on the conditions of the lawn or the ground, the actual lawn height may become slightly different from the set height.

NOTE: Try a test mowing of grass in a less conspicuous place to get your desired height.

Switch action

⚠ WARNING: Before installing the battery cartridge, always check to see that the switch lever actuates properly and returns to the original position when released. Operating a machine with a switch that does not actuate properly can lead to loss of control and serious personal injury.

⚠ WARNING: For your safety, this machine is equipped with the lock-off button which prevents the machine from unintended starting. Never use the machine if it starts when you pull the switch lever without pressing the lock-off button. Ask your local Makita Service Center for repairs.

⚠ WARNING: Never disable the lock function or tape down the lock-off button.

NOTICE: Do not pull the switch lever forcibly without depressing the lock-off button. The switch may break.

To start the machine, first depress the lock-off button and squeeze either the left or right switch lever in. To stop the machine, release the switch lever. When the switch lever is released, the lock-off button will return automatically to the locked position.

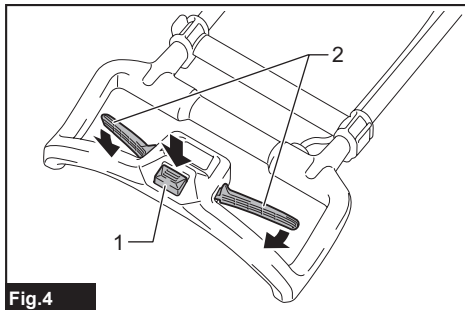


Fig. 4

► 1. Lock-off button 2. Switch lever

Machine / battery protection system

The machine is equipped with a machine/battery protection system. This system automatically cuts off power to the motor to extend machine and battery life. The machine will automatically stop during operation if the machine or battery is placed under one of the following conditions.

Overload protection

When the machine/battery is operated in a manner that causes it to draw an abnormally high current, the machine automatically stops and the indicator lamp lights up in red. In this situation, turn the machine off and stop the application that caused the machine to become overloaded. Then turn the machine on to restart.

Overheat protection

When the machine is overheated, the machine stops automatically and the indicator lamp lights up in red. Let the machine cool down before turning the machine on again.

Overdischarge protection

When the remaining battery capacity gets low, the indicator lamp blinks in red. By further use, the machine stops and the indicator lamp lights up in red. In this situation, charge the battery cartridge.

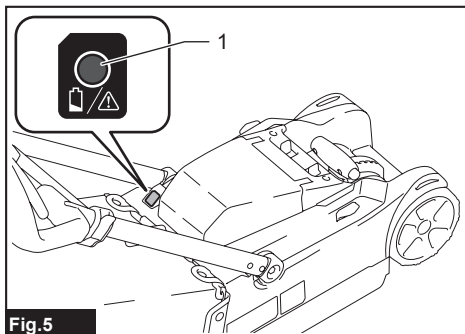


Fig. 5

► 1. Indicator lamp

Protections against other causes

Protection system is also designed for other causes that could damage the machine and allows the machine to stop automatically. Take all the following steps to clear the causes, when the machine has been brought to a temporary halt or stop in operation.

1. Turn the machine off, and then turn it on again to restart.
2. Charge the battery(ies) or replace it/them with recharged battery(ies).
3. Let the machine and battery(ies) cool down.

If no improvement can be found by restoring protection system, then contact your local Makita Service Center.

NOTE: The timing, at which the lamp lights up, depends on the temperature at work place and the battery cartridge conditions.

Electronic function

- Electric brake
This machine is equipped with an electric brake. If the tool consistently fails to quickly stop after the switch lever is released, have the tool serviced at a Makita service center.
- Soft start
When the switch is turned on, the motor begins to rotate smoothly with minimal recoil.

ASSEMBLY

CAUTION: Always be sure that the battery cartridge is removed before carrying out any work on the machine. Failure to remove the battery cartridge may result in serious personal injury from accidental start-up.

Raising the handle

Slide the two lock levers inward and raise the handle with the other hand until it stops.

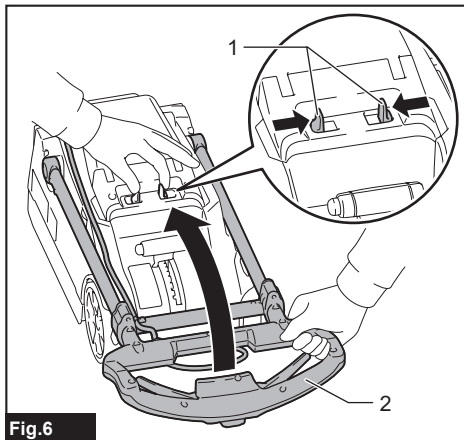


Fig.6

► 1. Lock lever 2. Handle

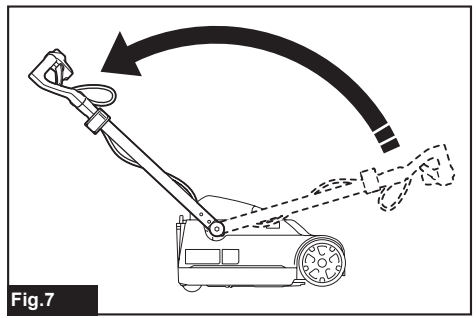


Fig.7

Extending the handle

Open out the lock levers on both sides of the handle, and then extend the handle by pulling it. Close the lock levers at the desired height.

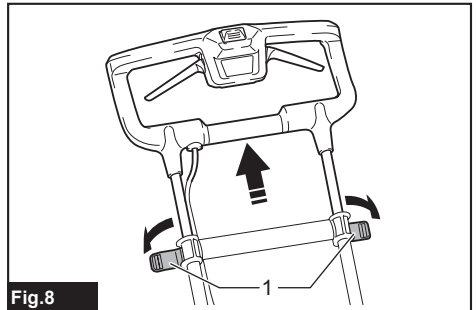


Fig.8

► 1. Lock lever

Installing the grass basket

Hook the grass basket onto the rear side of the machine.

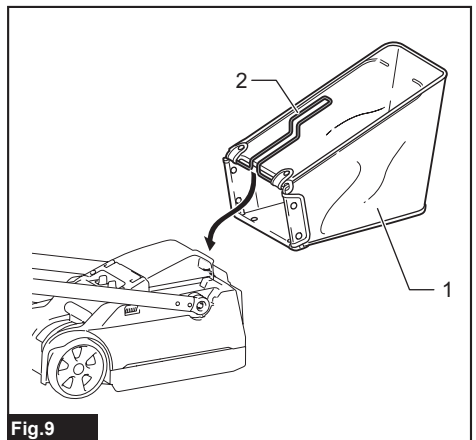


Fig.9

► 1. Grass basket 2. Frame

NOTICE: Be sure to attach the grass basket in the correct position by setting the frame of the grass basket in the grooves of the machine.

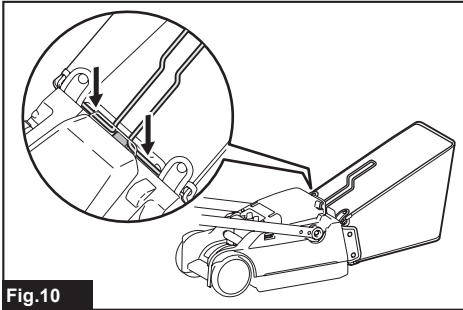


Fig.10

Installing or removing battery cartridge

CAUTION: Always switch off the machine before installing or removing of the battery cartridge.

CAUTION: Do not insert or remove the battery with wet hands. Otherwise electric shock may occur.

CAUTION: Hold the machine and the battery cartridge firmly when installing or removing battery cartridge. Failure to hold the machine and the battery cartridge firmly may cause them to slip off your hands and result in damage to the machine and battery cartridge and a personal injury.

CAUTION: Make sure that you lock the battery cover before use. Otherwise, mud, dirt, or water may cause damage to the product or the battery cartridge.

CAUTION: Always install the battery cartridge fully. If not, it may accidentally fall out of the machine, causing injury to you or someone around you.

CAUTION: Do not install the battery cartridge forcibly. If the cartridge does not slide in easily, it is not being inserted correctly.

CAUTION: Be careful not to pinch your fingers when opening or closing the battery cover.

To install the battery cartridge;

1. Open the battery cover.
2. Align the tongue on the battery cartridge with the slot on the mower, and then slide the cartridge until it locks in place with a little click.
3. Close the battery cover and push it until it is latched with the hook.

To remove the battery cartridge from the mower;

1. Open the battery cover.
2. Pull out the battery cartridge from the mower while sliding up the button on the front of the cartridge. Then close the battery cover.

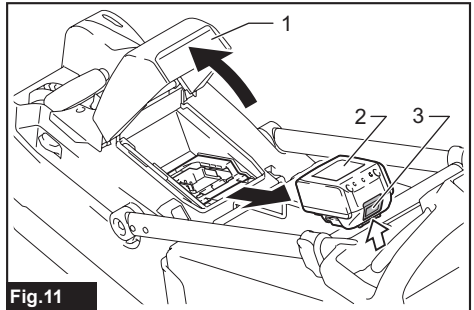


Fig.11

- 1. Battery cover 2. Battery cartridge 3. Button

OPERATION

Mowing

WARNING: Always wear the safety goggles or safety glasses with side shields when operating the mower.

WARNING: Before mowing, clear away sticks and stones from the mowing area. Furthermore, clear away any weeds from the mowing area in advance.



Fig.12

CAUTION: If the cut grass or foreign object blocks up inside of the mower body, be sure to remove the battery cartridge and wear gloves before removing the grass or foreign object.

NOTICE: Use this machine for mowing lawn only. Do not mow weeds with this machine.

Firmly hold the handle with both hands when mowing.

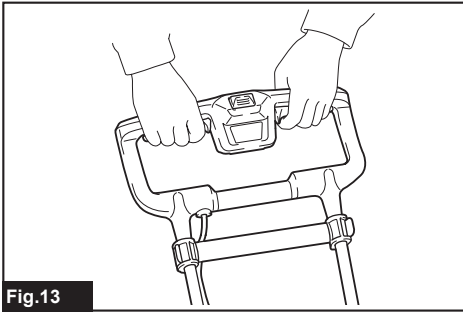


Fig.13

The mowing speed guideline is approximately 2 to 4 seconds per 1 meter.

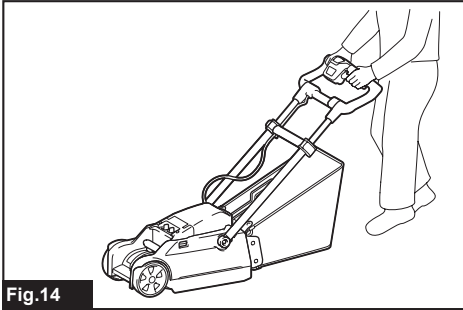


Fig.14

The labels on both sides of the front of the machine are guidelines to mowing width. Using the labels as guidelines, mow in strips. Overlap by one half to one third the previous strip to mow the lawn evenly.

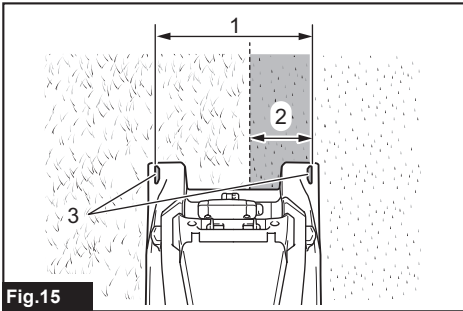


Fig.15

► 1. Mowing width 2. Overlapping area 3. Mowing width label

Change the mowing direction each time to prevent the grass grain pattern from forming in just one direction.

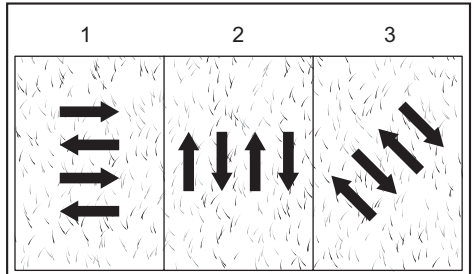


Fig.16

► 1. First time 2. Second time 3. Third time

Periodically check the grass basket for mowed grass. Empty the basket before it becomes full. Before every periodic check, be sure to stop the machine.

NOTE: Using the mower with the grass basket full prevents smooth mower blade rotation and places an extra load on the motor, which may cause a breakdown.

Mowing a long-grass lawn

Do not try to cut long grass all at once. Instead, mow the lawn in steps. Leave a day or two between mowings until the lawn becomes evenly short.

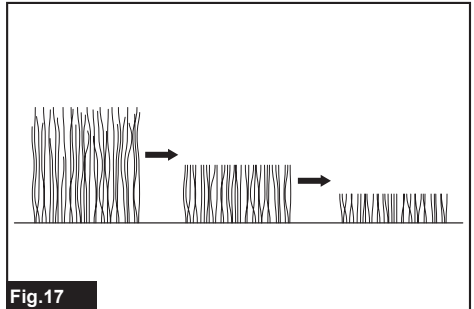


Fig.17

NOTE: Mowing long grass to a short length all at once may cause the grass to die. The cut grass may also block up inside of the mower body.

CARRYING AND STORAGE

CAUTION: Be careful not to trap fingers when folding down the handle.

CAUTION: Make sure that the handle is properly secured into the stoppers.

Carrying

CAUTION: When carrying the mower, make sure that the mower blade is on the outside and away from your body.

To carry the mower, secure the handle, and carry it as shown in the figure.

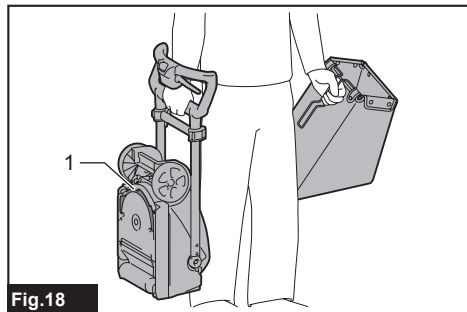


Fig.18

► 1. Mower blade

Storing

Remove the grass basket, then shorten the handle. (Refer to "ASSEMBLY".)

Fold down the handle until the handle is in place by the stopper.

Place the machine and hook the grass basket as shown in the figure.

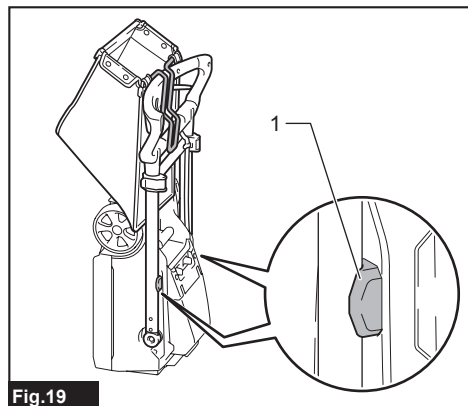


Fig.19

► 1. Stopper

Storing of lock pin and hex wrench

The lock pin and the hex wrench can be stored inside the battery cover.

When not in use, store the lock pin and the hex wrench to keep it from being lost.

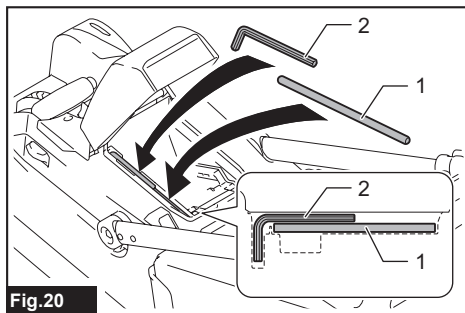


Fig.20

► 1. Lock pin 2. Hex wrench

MAINTENANCE

WARNING: Before performing the maintenance, remove the battery cartridges from the machine, and confirm that the mower blades have come to a complete halt.

CAUTION: When performing the maintenance, always wear gloves.

To maintain product SAFETY and RELIABILITY, repairs, any other maintenance or adjustment should be performed by Makita Authorized or Factory Service Centers, always using Makita replacement parts.

Maintenance after mowing

After mowing, wipe the machine with a dry cloth or a cloth dipped in soapy water. Also, use a soft brush to brush off grass cuttings and dirt from mower blades.

CAUTION: Do not spray or pour water on the machine when cleaning. Do not wash with a hose; avoid getting water in motor and electrical connections.

NOTICE: Never use gasoline, benzine, thinner, alcohol or the like. Discoloration, deformation or cracks may result.

Replacing the mower blade

CAUTION: Do not use any wrench other than the standard hex wrench when replacing the mower blade. Using a different wrench may lead to over-tightening or looseness, which may cause injury.

1. Remove the battery cartridge from the mower. Store it in a safe place out of the reach of children.
2. Fold down the handle and turn over the machine.

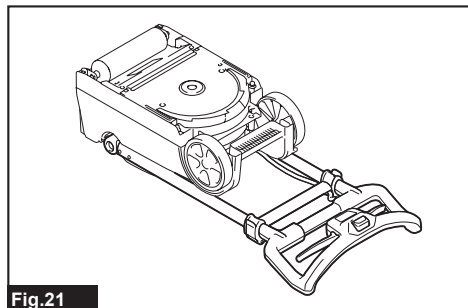


Fig.21

3. Insert the lock pin through the hole in the bottom plate and insert it into the hole in the main body.

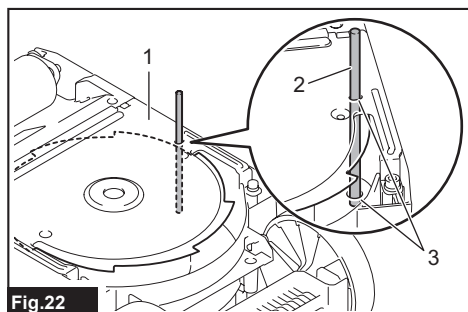


Fig.22

- 1. Bottom plate 2. Lock pin 3. Hole

4. Use the hex wrench to loosen the hexagonal bolt.

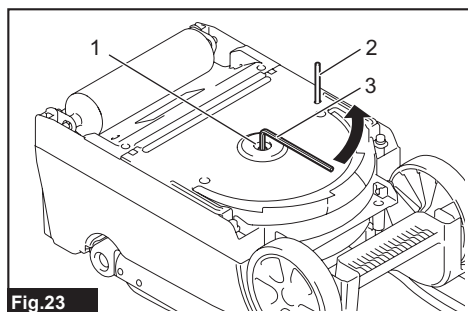


Fig.23

- 1. Hexagonal bolt 2. Lock pin 3. Hex wrench

5. Loosen the two hexagonal bolts securing the bottom plate, and remove the bottom plate.

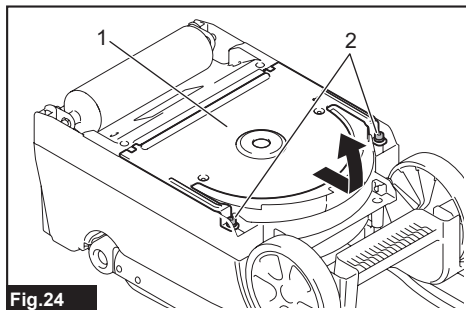


Fig.24

- 1. Bottom plate 2. Hexagonal bolt

6. Remove the hexagonal bolt, outer flange, and mower blade.

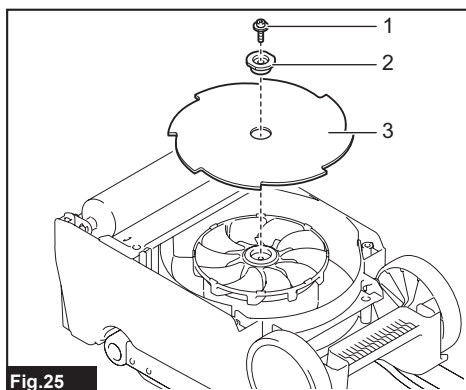


Fig.25

- 1. Hexagonal bolt 2. Outer flange 3. Mower blade

7. Place the new mower blade, outer flange, and hexagonal bolt, and then temporarily tighten the hexagonal bolt. Make sure that the arrow on the bottom plate and the arrow on the mower blade are both pointing in the same direction.

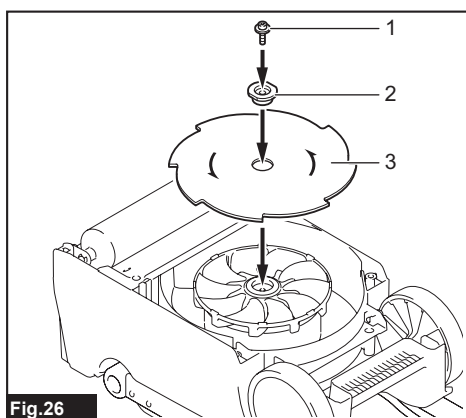


Fig.26

- 1. Hexagonal bolt 2. Outer flange 3. Mower blade

8. Attach the bottom plate in the order shown in the figure, and then tighten the two hexagonal bolts.

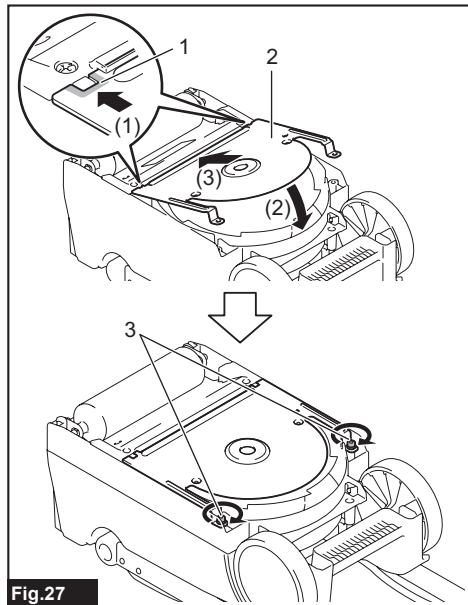


Fig.27

► 1. Notch 2. Bottom plate 3. Hexagonal bolt

CAUTION: Be sure to fully insert the bottom plate into the machine so that the protrusions on the machine is fully inserted into the nothes of the bottom plate. Failure to do so may cause injury because the bottom plate may come off due to the misalignment of the hexagonal bolts.

9. Insert the lock pin into the hole on the bottom plate, and then firmly tighten the hexagonal bolt using the hex wrench to secure the mower blade.

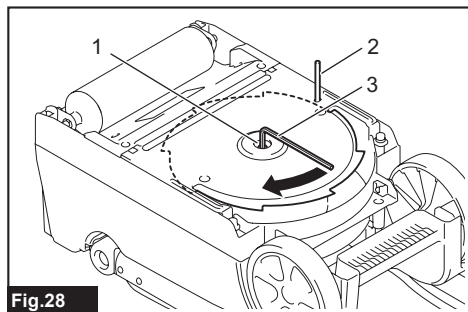


Fig.28

► 1. Hexagonal bolt 2. Lock pin 3. Hex wrench

OPTIONAL ACCESSORIES

CAUTION: These accessories or attachments are recommended for use with your Makita tool specified in this manual. The use of any other accessories or attachments might present a risk of injury to persons. Only use accessory or attachment for its stated purpose.

If you need any assistance for more details regarding these accessories, ask your local Makita Service Center.

- Mower blade
- Makita genuine battery and charger

NOTE: Some items in the list may be included in the tool package as standard accessories. They may differ from country to country.

Makita Corporation

www.makita.com

885940-924
EN
20211115