



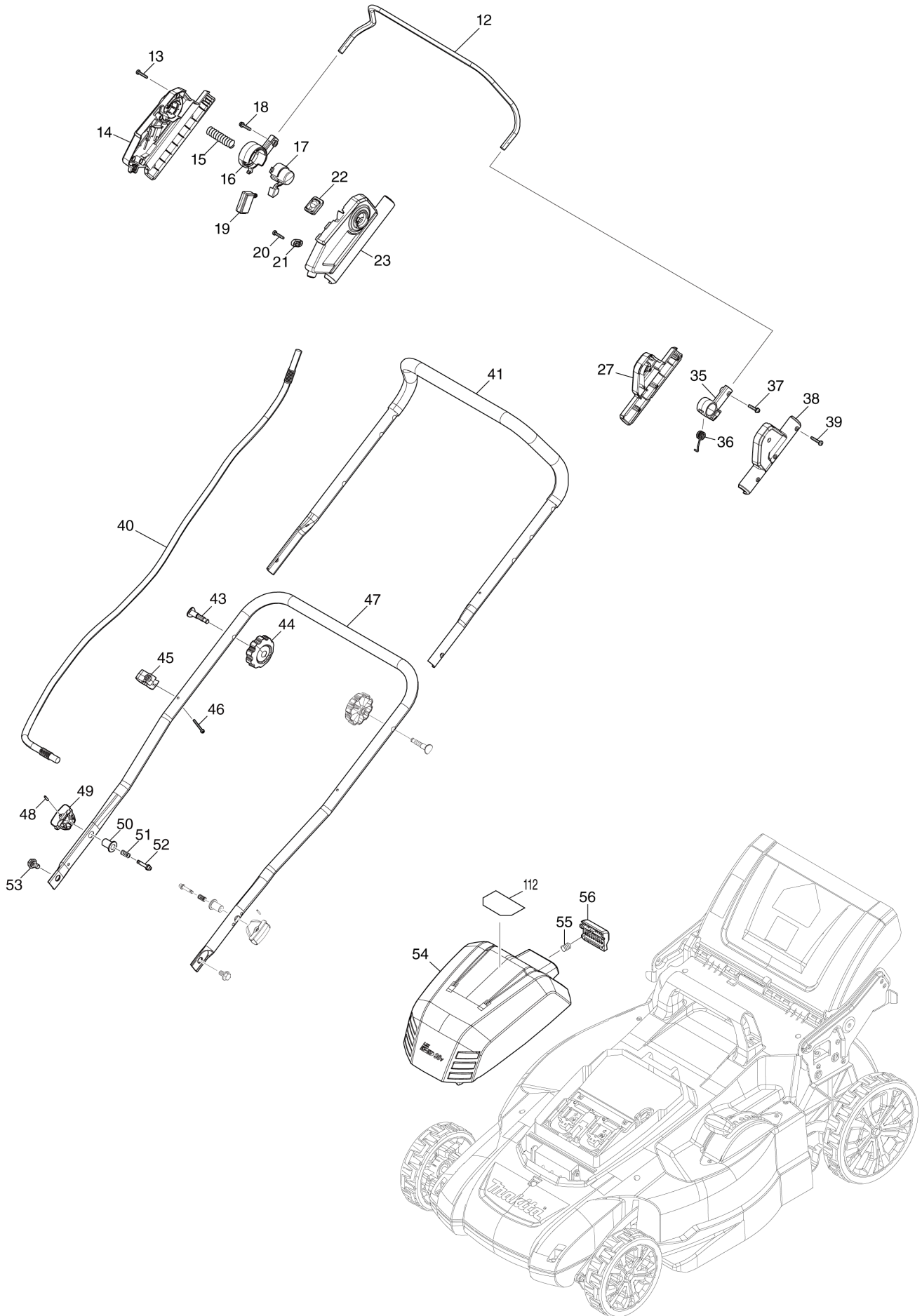
# Diagram / Parts List

**DLM480**

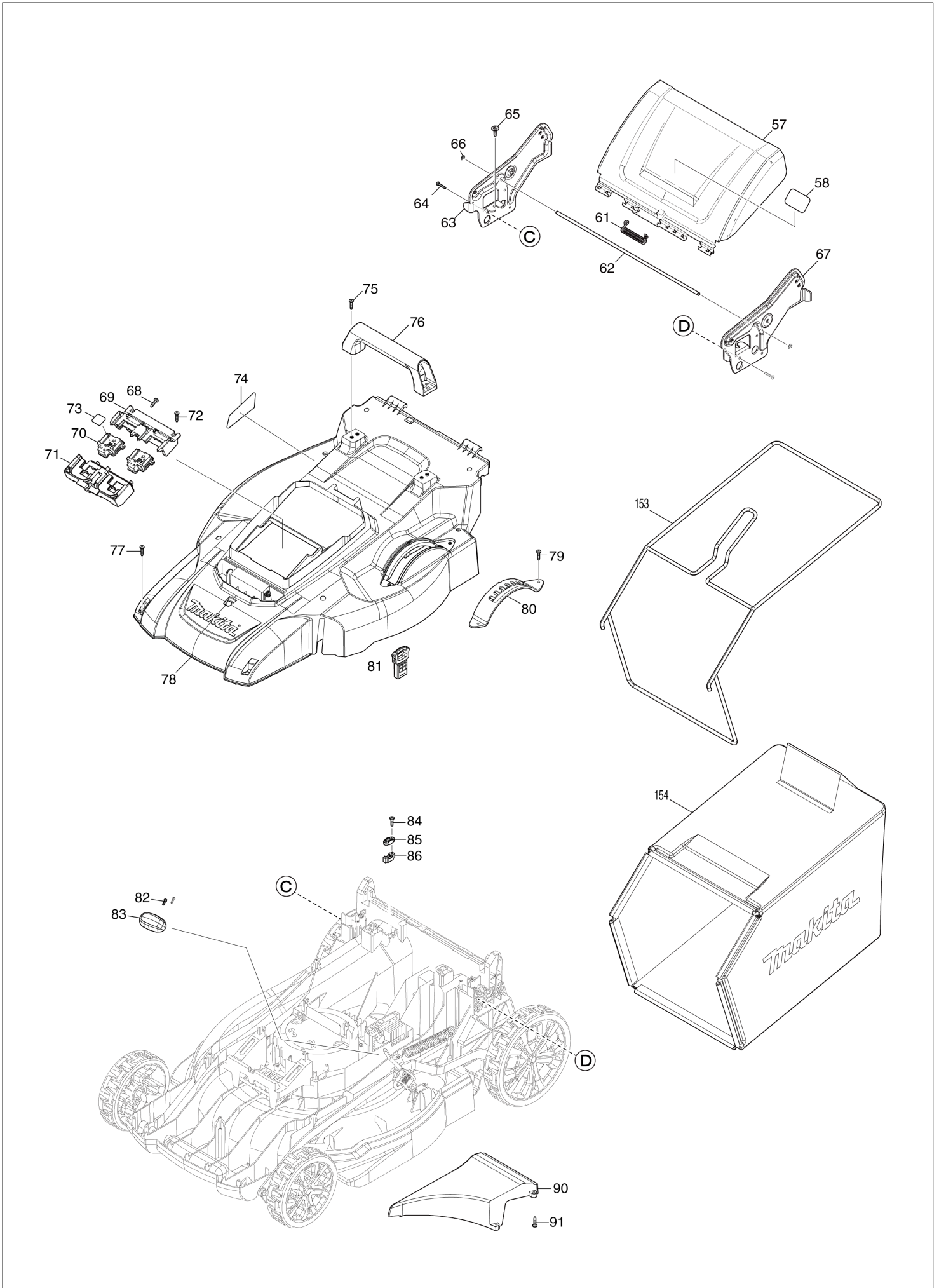
**480MM CORDLESS LAWN MOWER**



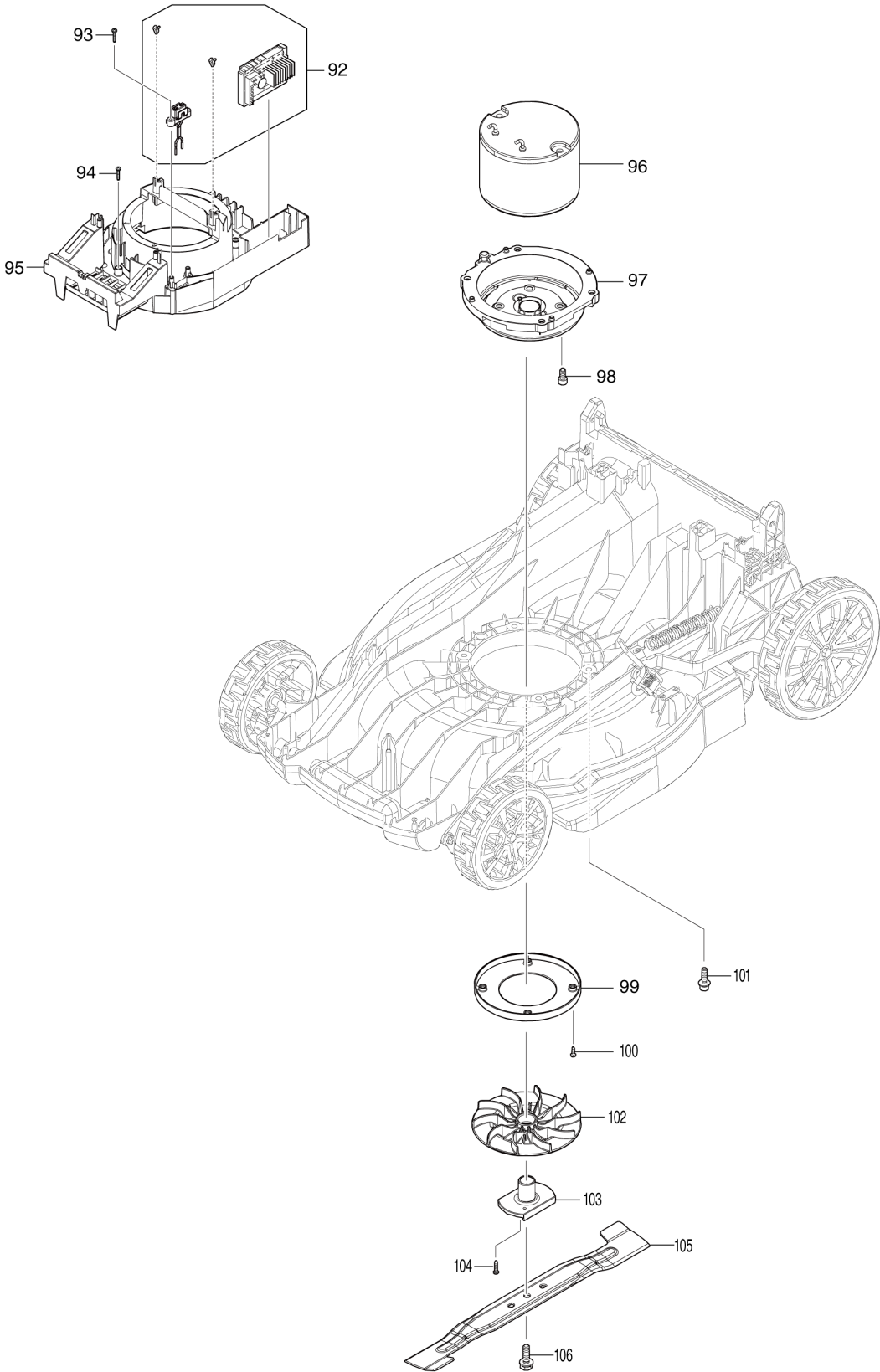
(IN) DLM480 / 480MM CORDLESS LAWN MOWER



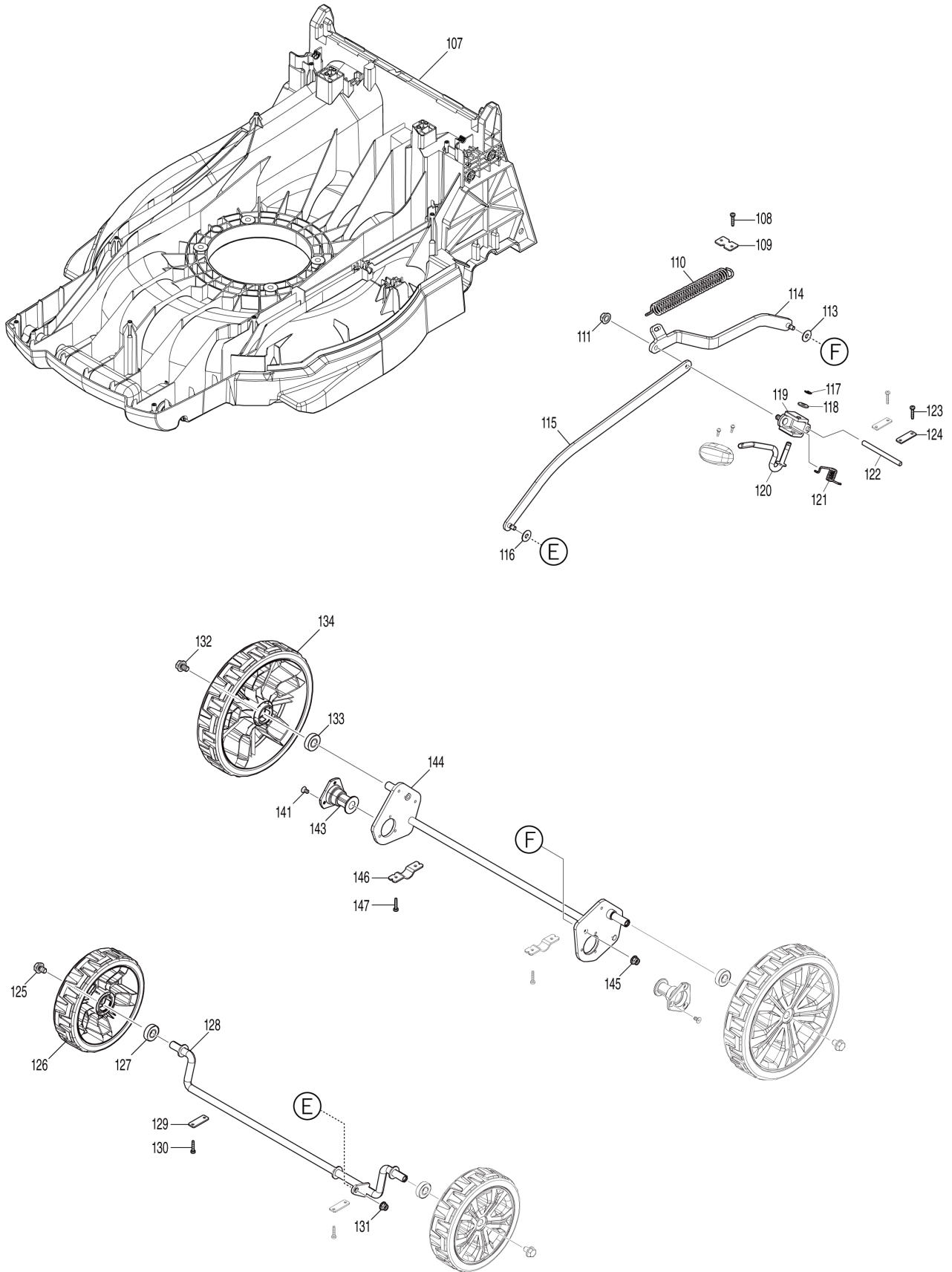
(IN) DLM480 / 480MM CORDLESS LAWN MOWER



(IN) DLM480 / 480MM CORDLESS LAWN MOWER



(IN) DLM480 / 480MM CORDLESS LAWN MOWER



<b>IN</b>	<b>INDIA</b>
-----------	--------------

### DLM480 / 480MM CORDLESS LAWN MOWER

Item	Sub	Parts No.	Parts Description	Qty	I/C	E/C No.	Close No.	Remark
012		327424-8	SWITCH LEVER	1				
013		266424-2	TAPPING SCREW 4X20	7				
014		183V31-7	SWITCH BOX SET	1				
	C10	8045G7-5	INDICATION LABEL	1				
	D10		INC. 23					
015		231227-3	COMPRESSION SPRING 15	1				
016		413A99-6	SWITCH LEVER SUPPORT R	1				
	C10	931102-0	HEX. NUT M4	1				
017		413B00-7	LOCK OFF BUTTON	1				
018		911138-5	P.H.SCREW M4X20 WITH WR	1				
019		651083-9	SWITCH C3XA-1PSPM	1				
020		266424-2	TAPPING SCREW 4X20	2				
021		687123-7	STRAIN RELIEF	1				
022		141H35-1	SWITCH CIRCUIT COMPLETE	1				
	C10	810D46-0	SWITCH LABEL	1				
023		183V31-7	SWITCH BOX SET	1				
	C10	8045G7-5	INDICATION LABEL	1				
	D10		INC. 14					
027		183U21-4	LEVER BOX SET	1				
	D10		INC. 38					
035		459863-5	SWITCH LEVER SUPPORT L	1				
	C10	931102-0	HEX. NUT M4	1				
036		232575-3	TORSION SPRING 12	1				
037		911138-5	P.H.SCREW M4X20 WITH WR	1				
038		183U21-4	LEVER BOX SET	1				
	D10		INC. 27					
039		266424-2	TAPPING SCREW 4X20	4				
040		699184-5	POWER SUPPLY CORD UNIT	1				
041		327871-3	HANDLE UPPER	1				
043		265C08-1	FLAT HEAD BOLT M8X50	2				
044		265C06-5	THUMB NUT M8	2				
045		413944-9	CLAMP	1				
	C10	931102-0	HEX. NUT M4	1				
046		911163-6	PAN HEAD SCREW M4X35	1				
047		122A73-0	HANDLE LOWER ASSEMBLY	1				
	D10		INC. 48-52					
048		258004-8	SPRING PIN 2.5-16	2				
049		413943-1	KNOB	2				
050		327877-1	LOCK HOLDER	2				
051		234121-8	COMPRESSION SPRING 8	2				
052		327876-3	LOCK PIN	2				
053		265C07-3	HEX. BOLT M8	2				
054		141H43-2	BATTERY COVER COMPLETE	1				
	C10	8044A3-5	CAUTION LABEL	1				
055		231037-8	COMPRESSION SPRING 7	1				
056		413B03-1	LOCK LEVER	1				
057		141J55-7	REAR FLAP COMPLETE	1				
	D10		INC. 58					
058		8047H4-0	CAUTION LABEL	1				
061		232721-8	TORSION SPRING 8	1				
062		327874-7	ROD 6	1				
063		347867-8	HANDLE BRACKET R	1				
064		266553-1	TAPPING SCREW 5X30	6				
065		265C05-7	TAPPING SCREW FRANGE 5X20	2				
066		961018-5	STOP RING E-5	2				
067		347866-0	HANDLE BRACKET L	1				
068		266424-2	TAPPING SCREW 4X20	3				
069		183N35-1	TERMINAL HOUSING SET	1				
	C10	263005-3	RUBBER PIN 6	4				
	D10		INC. 71					
070		644809-6	TERMINAL	2				
071		183N35-1	TERMINAL HOUSING SET	1				
	C10	263005-3	RUBBER PIN 6	4				
	D10		INC. 69					
072		266424-2	TAPPING SCREW 4X20	3				

B:DLM480CT2(H)

Interchange  
O : Yes  
X : No  
< : the new part can be substituted for the current.  
> : the current part can be substituted for the new.  
S : Interchangeable as a set.

## DLM480 / 480MM CORDLESS LAWN MOWER

Item	Sub	Parts No.	Parts Description	Qty	I/C	E/C No.	Close No.	Remark
073		8114E2-8	DLM480 SERIAL NO. LABEL	1				
074		8114D9-7	DLM480 NAME PLATE	1				
075		266424-2	TAPPING SCREW 4X20	4				
076		413938-4	REAR GRIP	1				
077		266424-2	TAPPING SCREW 4X20	11				
078		141J46-8	COWLING COMPLETE	1				
	C10	422789-4	SPONGE SEAL	1				
	C20	8031N0-1	INDICATION LABEL	2				
079		266424-2	TAPPING SCREW 4X20	2				
080		162993-0	HEIGHT ADJUST PLATE	1				
081		643535-4	KEY	1				
082		266816-5	+ PAN HEAD SCREW M3X12 WITH WR	2				
083		413939-2	HEIGHT ADJUST LEVER GRIP	1				
084		266424-2	TAPPING SCREW 4X20	2				
085		687123-7	STRAIN RELIEF	1				
086		687051-6	STRAIN RELIEF	1				
090		413924-5	DECK REAR COVER	1				
091		266424-2	TAPPING SCREW 4X20	4				
092		620G78-5	CONTROLLER	1				
093		266424-2	TAPPING SCREW 4X20	2				
094		266424-2	TAPPING SCREW 4X20	4				
095		413B05-7	MOTOR COVER	1				
096		629A88-3	DC MOTOR	1				
097		141H61-0	MOTOR BRACKET COMPLETE	1				
098		922422-3	HEX. SOCKET HEAD BOLT M8X16	4				
099		459853-8	BAFFLE PLATE	1				
100		266385-6	TAPPING SCREW 4X14	4				
101		265C22-7	H.S.H.BOLT M8X30 WITH WG	4				
102		240229-8	FAN 170	1				
103		313393-9	BLADE SUPPORT 480	1				
104		266424-2	TAPPING SCREW 4X20	2				
105		191V97-3	BLADE 480 SET	1				
106		265A69-9	HEX. BOLT M10X35 WITH WG	1				
107		413A62-9	DECK	1				
108		266424-2	TAPPING SCREW 4X20	2				
109		347870-9	HOOK PLATE	1				
110		232717-9	TENSION SPRING 17	1				
111		252301-4	HEX. FLANGE LOCK NUT M6-10	1				
112		8046H7-8	INDICATION LABEL	1				
113		253731-2	FLAT WASHER 8	1				
114		347873-3	CONNECTING ROD R	1				
115		347872-5	CONNECTING ROD F	1				
116		253731-2	FLAT WASHER 8	1				
117		961012-7	STOP RING E-6	1				
118		267281-1	FLAT WASHER 8	1				
119		313389-0	ROD HOLDER	1				
120		327872-1	HEIGHT ADJUST LEVER	1				
121		232715-3	TORSION SPRING 9	1				
122		327873-9	ROD 7	1				
123		266424-2	TAPPING SCREW 4X20	4				
124		347869-4	PLATE	2				
125		265324-3	HEX. FLANGE HEAD BOLT M8X12	2				
126		141E34-5	TIRE 180 COMPLETE	2				
127		210163-6	BALL BEARING 6001DDW	2				
128		162991-4	FRONT SHAFT	1				
129		347869-4	PLATE	2				
130		266424-2	TAPPING SCREW 4X20	4				
131		252301-4	HEX. FLANGE LOCK NUT M6-10	1				
132		265324-3	HEX. FLANGE HEAD BOLT M8X12	2				
133		210163-6	BALL BEARING 6001DDW	2				
134		141E35-3	TIRE 230 COMPLETE	2				
141		251951-2	HEX. SOCKET HEAD BOLT M5X10	6				
143		313390-5	REAR SHAFT HOLDER	2				
144		162992-2	REAR SHAFT	1				
145		252301-4	HEX. FLANGE LOCK NUT M6-10	1				

B:DLM480CT2(H)

Interchange

O : Yes

X : No

< : the new part can be substituted for the current.

> : the current part can be substituted for the new.

S : Interchangeable as a set.

