



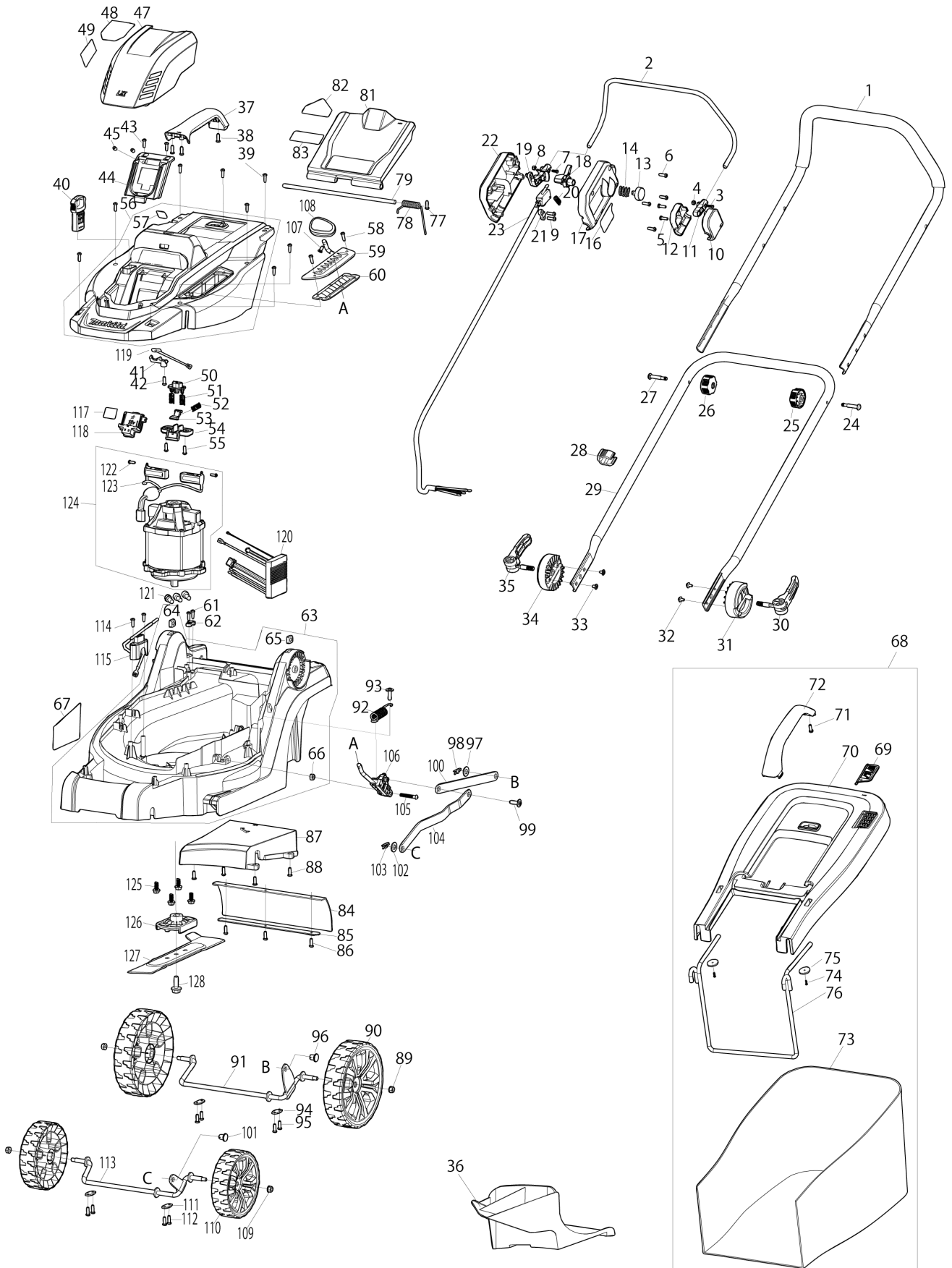
# Diagram / Parts List

**DLM330**

**330MM CORDLESS LAWN MOWER**



# (IN) DLM330 / 330MM CORDLESS LAWN MOWER



## DLM330 / 330MM CORDLESS LAWN MOWER

Item	Sub	Parts No.	Parts Description	Qty	I/C	E/C No.	Close No.	Remark
001		GB00000136	UPPER HANDLE	1				
002		GB00000044	SWITCH LEVER	1				
003		GB00000045	PAN HEAD SCREW M4X18	1				
004		GB00000046	HEX LOCK NUT M4	1				
005		GB00000003	TAPPING SCREW ST4.2X15	2				
006		GB00000003	TAPPING SCREW ST4.2X15	4				
007		GB00000045	PAN HEAD SCREW M4X18	1				
008		GB00000046	HEX LOCK NUT M4	1				
009		GB00000003	TAPPING SCREW ST4.2X15	2				
010		GB00000047	SWITCH LEVER HINGE BOX L	1				
011		GB00000048	SWITCH LEVER END CAP L	1				
012		GB00000049	SWITCH LEVER HINGE BOX R	1				
013		GB00000050	SWITCH LINK BUTTON	1				
014		GB00000051	COMPRESSION SPRING	1				
016		GB00000153	SWITCH OPERATION LABEL	1				
017		GB00000053	SWITCH BOX COVER L	1				
018		GB00000054	SWITCH CONTROL LINK	1				
019		GB00000055	SWITCH LEVER END CAP R	1				
020		GB00000056	TENSION SPRING	1				
021		GB00000057	CORD CLAMP	1				
022		GB00000058	SWITCH BOX COVER R	1				
023		GB00000138	SWITCH&CORD ASSY	1				
024		GB00000060	SQUARE NECK BOLT M6X42	1				
025		GB00000061	KNOB NUT M6	1				
026		GB00000061	KNOB NUT M6	1				
027		GB00000060	SQUARE NECK BOLT M6X42	1				
028		GB00000062	CORD CLIP	1				
029		GB00000063	LOWER HANDLE	1				
030		GB00000064	TENSION LEVER ASSY	1				
031		GB00000065	HANDLE FIX BLOCK	1				
032		GB00000066	TRAS HEAD TAPPING SCREW 4X8	2				
033		GB00000066	TRAS HEAD TAPPING SCREW 4X8	2				
034		GB00000065	HANDLE FIX BLOCK	1				
035		GB00000064	TENSION LEVER ASSY	1				
036		GB00000067	MULCHING PLUG	1				
037		GB00000068	CARRYNG HANDLE	1				
038		GB00000003	TAPPING SCREW ST4.2X15	3				
039		GB00000003	TAPPING SCREW ST4.2X15	8				
040		GB00000069	KEY	1				
041		GB00000070	INDICATOR UNIT MOUNT	1				
042		GB00000003	TAPPING SCREW ST4.2X15	1				
043		GB00000003	TAPPING SCREW ST4.2X15	2			Y08757	
043-1		GB00000158	FLANGED TAPPING SCREW ST4.2X15	2	>	Y08757		
044		GB00000071	BATTERY HOLDER	1				
045		GB00000072	RUBBER PIN 5.5X8.5	2				
047		GB00000074	BATTERY HOOD	1				
048		GB00000140	330MM LABEL	1				
050		GB00000077	BATTERY HOOD LOCK BUTTON	1				
051		GB00000078	COMPRESSION SPRING	2				
052		GB00000078	COMPRESSION SPRING	1				
053		GB00000079	BATTERY HOOD RATCHI	1				
054		GB00000080	BATTERY HOOD RATCHI FIX PLATE	1				
055		GB00000003	TAPPING SCREW ST4.2X15	2				
056		GB00000081	UPPER HOUSING ASSEMBLY	1				
	D10		INC. 57					
057		GB00000082	BATTERY INDICATOR LABEL	1				
058		GB00000083	TAPPING SCREW ST4.2X15 SILVER	2				
059		GB00000084	HEIGHT ADJUST GUIDE PLATE	1				
060		GB00000085	RUBBER SHEET FOR GUIDE PLATE	1				
061		GB00000003	TAPPING SCREW ST4.2X15	2				
062		GB00000057	CORD CLAMP	1				
063		GB00000086	DECK ASSEMBLY	1				
	D10		INC. 64-66					
064		GB00000087	SQUARE NUT M8	1				
065		GB00000087	SQUARE NUT M8	1				

Interchange  
O : Yes  
X : No  
< : the new part can be substituted for the current.  
> : the current part can be substituted for the new.  
S : Interchangeable as a set.

IN

INDIA

## DLM330 / 330MM CORDLESS LAWN MOWER

Item	Sub	Parts No.	Parts Description	Qty	I/C	E/C No.	Close No.	Remark
066		GB00000088	HEX LOCK NUT M6	1				
067		GB00000141	NAMEPLATE DLM330	1				
068		GB00000151	GRASS CATCHER ASSY	1				
	D10		INC. 69-76					
069		GB00000090	GRASS LEVEL INDICATOR PLATE	1				
070		GB00000091	GRASS CATCHER UPPER PLATE	1				
071		GB00000003	TAPPING SCREW ST4.2X15	1				
072		GB00000092	GRASS CATCHER GRIP	1				
073		GB00000142	GRASS CATCHER LOWER PLATE ASSY	1				
074		GB00000003	TAPPING SCREW ST4.2X15	2				
075		GB00000094	FLAT WASHER 4.5X20X1.4	2				
076		GB00000095	GRASS CATCHER FLAME	1				
077		GB00000003	TAPPING SCREW ST4.2X15	1				
078		GB00000096	REAR FLAP TORSION SPRING	1				
079		GB00000097	REAR FLAP HINGE ROD	1				
081		GB00000099	REAR FLAP	1				
083		GB00000144	WARNING SOUND LABEL	1				
087		GB00000104	GRASS OUTLET LOWER PLATE	1				
088		GB00000003	TAPPING SCREW ST4.2X15	4				
089		GB00000105	HEX FLANGED+F130 LOCK NUT M6	2				
090		GB00000106	WHEEL 180MM	2				
091		GB00000107	REAR AXLE	1				
092		GB00000108	HEIGHT ADJUST TENSION SPRING	1				
093		GB00000109	TRUSS HEAD TAPPING SCREW 5X18	1				
094		GB00000110	AXLE FIX PLATE	2				
095		GB00000003	TAPPING SCREW ST4.2X15	4				
096		GB00000111	STEPPED PIN 10-12	1				
097		GB00000112	FLAT WASHER 10	1				
098		GB00000113	R-PIN 10	1			Y08757	
098-1		GB00000159	R-PIN 10	1	>	Y08757		
099		GB00000109	TRUSS HEAD TAPPING SCREW 5X18	1				
100		GB00000114	HEIGHT ADJUST LINK ROD REAR	1				
101		GB00000111	STEPPED PIN 10-12	1				
102		GB00000112	FLAT WASHER 10	1				
103		GB00000113	R-PIN 10	1			Y08757	
103-1		GB00000159	R-PIN 10	1	>	Y08757		
104		GB00000115	HEIGHT ADJUST LINK ROD FRONT	1				
105		GB00000116	PAN HEAD SCREW 6X30	1				
106		GB00000117	HEIGHT ADJUST LEVER ASSY	1				
107		GB00000118	FLAT HEAD SCREW M4X10	1				
108		GB00000119	GRIP FOR HEIGHT ADJUSTMENT	1				
109		GB00000105	HEX FLANGED+F130 LOCK NUT M6	2				
110		GB00000120	WHEEL 138MM	2				
111		GB00000110	AXLE FIX PLATE	2				
112		GB00000003	TAPPING SCREW ST4.2X15	4				
113		GB00000121	FRONT AXLE	1				
114		GB00000003	TAPPING SCREW ST4.2X15	2				
115		GB00000122	KEY SOCKET	1				
117		GB00000145	SERIAL NO. LABEL DLM330	1				
118		GB00000124	TERMINAL	1				
119		GB00000125	INDICATOR UNIT	1				
120		GB00000126	CONTROLLER	1				
121		GB00000127	CLOSED END SPLICE 5.5-SD	3				
122		GB00000128	TAPPING SCREW ST3.0X8	2				
123		GB00000147	CARBON BRUSH ASSY WITH COIL	1				
124		GB00000148	MOTOR ASSY WITH CHOKE COIL	1				
	D10		INC. 122,123					
125		GB00000131	HEX FLANGED BOLT M8X18 W/BOND	4				
126		GB00000132	BLADE SUPPORT	1				
127		GB00000042	BLADE 330	1				
128		GB00000133	BLADE HEX BOLT M8X28 WITH WR	1				
A01		GB00000134	WRENCH 13	1				

Interchange  
O : Yes  
X : No  
< : the new part can be substituted for the current.  
> : the current part can be substituted for the new.  
S : Interchangeable as a set.