



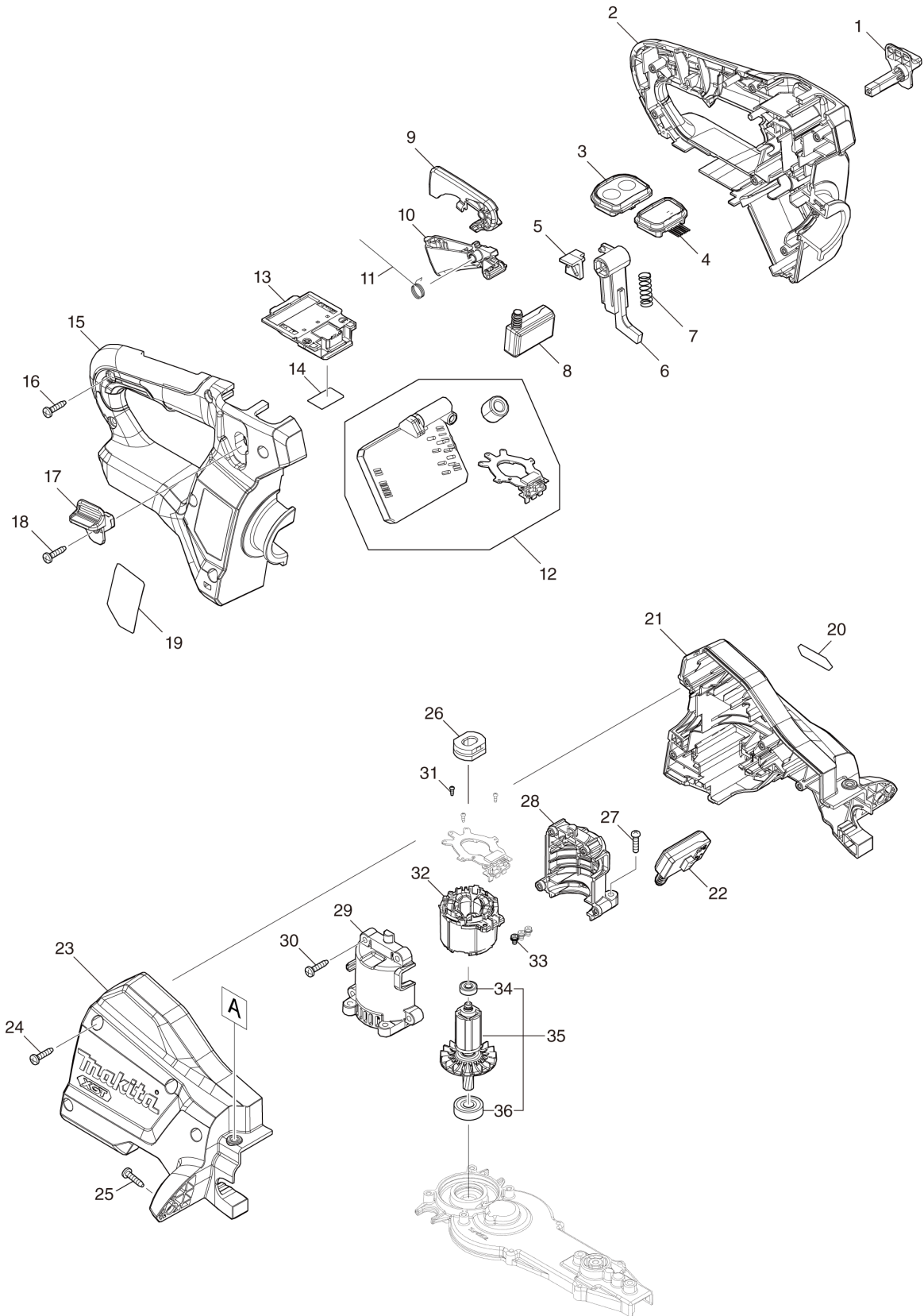
# Diagram / Parts List

**UH007G**

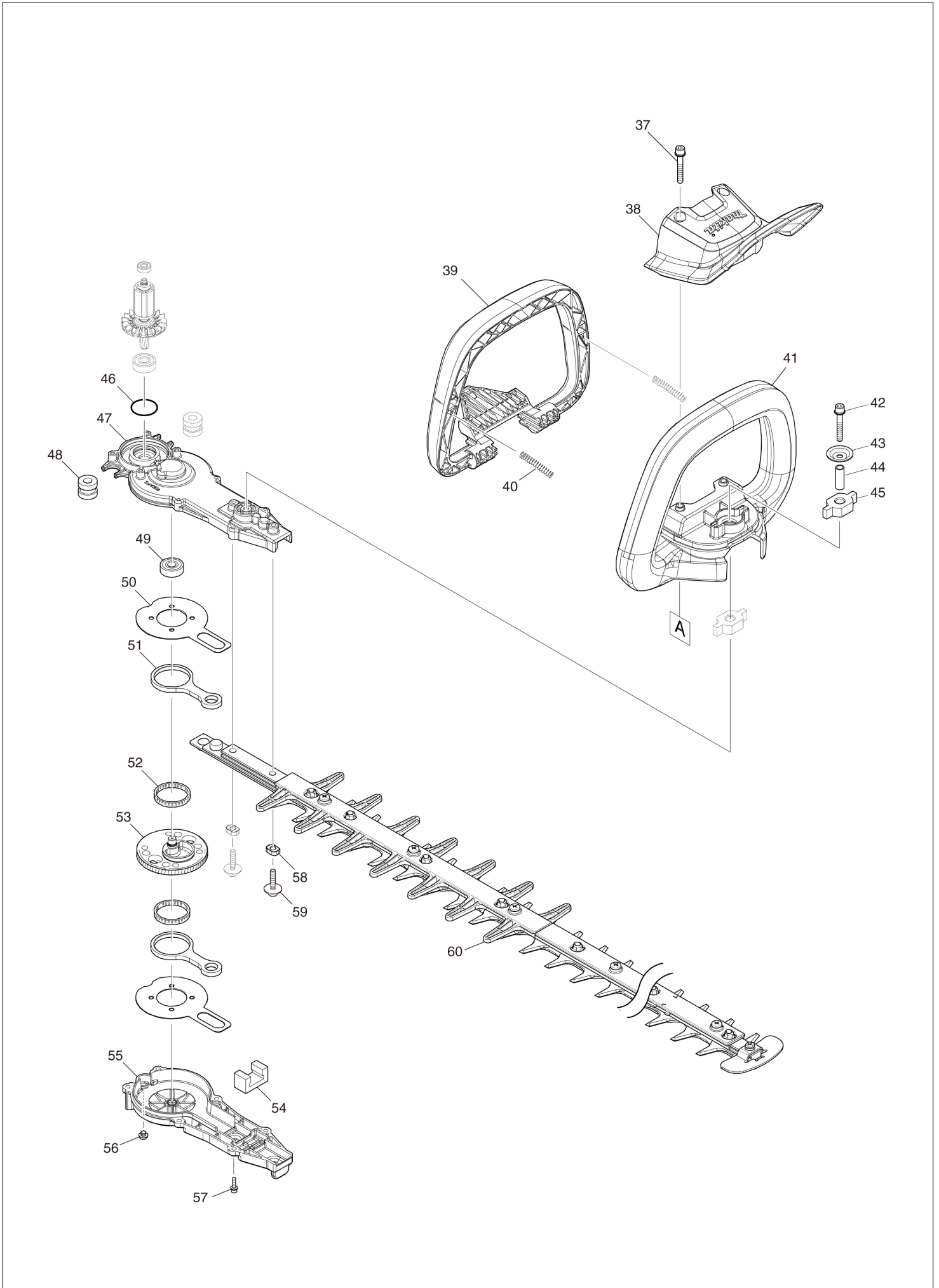
**750MM CORDLESS HEDGE TRIMMER**



(IN) UH007G / 750MM CORDLESS HEDGE TRIMMER



(IN) UH007G / 750MM CORDLESS HEDGE TRIMMER



|           |              |
|-----------|--------------|
| <b>IN</b> | <b>INDIA</b> |
|-----------|--------------|

### UH007G / 750MM CORDLESS HEDGE TRIMMER

| Item  | Sub | Parts No. | Parts Description           | Qty | I/C | E/C No. | Close No. | Remark |
|-------|-----|-----------|-----------------------------|-----|-----|---------|-----------|--------|
| 001   |     | 458406-0  | LOCK LEVER L                | 1   |     |         |           |        |
| 002   |     | 183T66-6  | HANDLE SET                  | 1   |     |         |           |        |
|       | C10 | 263005-3  | RUBBER PIN 6                | 2   |     |         |           |        |
|       | C20 | 8034N8-3  | CAUTION LABEL               | 1   |     |         |           |        |
|       | D10 |           | INC. 15                     |     |     |         |           |        |
| 003   |     | 141D66-6  | SWITCH CIRCUIT COMPLETE E   | 1   |     |         |           |        |
|       | C10 | 8034K3-2  | SWITCH LABEL                | 1   |     |         |           |        |
| 004   |     | 140W63-3  | INDICATION CIRCUIT COMPLETE | 1   |     |         |           |        |
| 005   |     | 458570-7  | SLIDER                      | 1   |     |         |           |        |
| 006   |     | 458405-2  | LOCK ARM                    | 1   |     |         |           |        |
| 007   |     | 234204-4  | COMPRESSION SPRING 8        | 1   |     |         |           |        |
| 008   |     | 651083-9  | SWITCH C3XA-1PSPM           | 1   |     |         |           |        |
| 009   |     | 458403-6  | LOCK OFF LEVER              | 1   |     |         |           |        |
| 010   |     | 413792-6  | SWITCH LEVER R              | 1   |     |         |           |        |
| 011   |     | 232454-5  | TORSION SPRING 10           | 1   |     |         |           |        |
| 012   |     | 620E57-1  | CONTROLLER                  | 1   |     |         |           |        |
| 013   |     | 632P64-8  | TERMINAL UNIT               | 1   |     |         |           |        |
| 014   |     | 811J40-1  | UH007G SERIAL NO. LABEL     | 1   |     |         |           |        |
| 015   |     | 183T66-6  | HANDLE SET                  | 1   |     |         |           |        |
|       | C10 | 263005-3  | RUBBER PIN 6                | 2   |     |         |           |        |
|       | C20 | 8034N8-3  | CAUTION LABEL               | 1   |     |         |           |        |
|       | D10 |           | INC. 2                      |     |     |         |           |        |
| 016   |     | 266326-2  | TAPPING SCREW 4X18          | 6   |     |         |           |        |
| 017   |     | 458407-8  | LOCK LEVER R                | 1   |     |         |           |        |
| 018   |     | 266326-2  | TAPPING SCREW 4X18          | 1   |     |         |           |        |
| 019   |     | 811J37-0  | UH007G NAME PLATE           | 1   |     |         |           |        |
| 020   |     | 8025F3-0  | XGT LOGO LABEL              | 1   |     |         |           |        |
| 021   |     | 183S95-3  | HOUSING SET                 | 1   |     |         |           |        |
|       | C10 | 424344-8  | DAMPER                      | 4   |     |         |           |        |
|       | D10 |           | INC. 23                     |     |     |         |           |        |
| 022   |     | 651083-9  | SWITCH C3XA-1PSPM           | 1   |     |         |           |        |
| 023   |     | 183S95-3  | HOUSING SET                 | 1   |     |         |           |        |
|       | C10 | 424344-8  | DAMPER                      | 4   |     |         |           |        |
|       | D10 |           | INC. 21                     |     |     |         |           |        |
| 024   |     | 266326-2  | TAPPING SCREW 4X18          | 4   |     |         |           |        |
| 025   |     | 266326-2  | TAPPING SCREW 4X18          | 2   |     |         |           |        |
| 026   |     | 422261-6  | RUBBER SLEEVE               | 1   |     |         |           |        |
| 027   |     | 911128-8  | P.H.SCREW M4X16 WITH WR     | 4   |     |         |           |        |
| 028   |     | 183S94-5  | MOTOR HOUSING SET           | 1   |     |         |           |        |
|       | D10 |           | INC. 29                     |     |     |         |           |        |
| 029   |     | 183S94-5  | MOTOR HOUSING SET           | 1   |     |         |           |        |
|       | D10 |           | INC. 28                     |     |     |         |           |        |
| 030   |     | 266326-2  | TAPPING SCREW 4X18          | 4   |     |         |           |        |
| 031   |     | 266490-9  | TAPPING SCREW PT 2X6        | 3   |     |         |           |        |
| 032   |     | 629A75-2  | STATOR                      | 1   |     |         |           |        |
| 033   |     | 652069-6  | FLAT HEAD SCREW M3X6        | 3   |     |         |           |        |
| 034   |     | 211157-4  | BALL BEARING 695ZZ          | 1   |     |         |           |        |
| 035   |     | 519695-3  | ROTOR ASSY                  | 1   |     |         |           |        |
|       | D10 |           | INC. 34,36                  |     |     |         |           |        |
| 036   |     | 210005-4  | BALL BEARING 608DDW         | 1   |     |         |           |        |
| 037   |     | 265182-7  | + PAN HEAD SCREW M5X25      | 2   |     |         |           |        |
| 038   |     | 458399-1  | PROTECTOR                   | 1   |     |         |           |        |
| 039   |     | 458402-8  | SWITCH LEVER F              | 1   |     |         |           |        |
| 040   |     | 233222-9  | COMPRESSION SPRING 5        | 2   |     |         |           |        |
| 041   |     | 413791-8  | FRONT GRIP E                | 1   |     |         |           |        |
| 042   |     | 251476-6  | H.S.H.BOLT M5X35 WITH WR    | 1   |     |         |           |        |
| 043   |     | 253416-0  | DISH WASHER 5               | 1   |     |         |           |        |
| 044   |     | 257678-2  | SLEEVE 6                    | 1   |     |         |           |        |
| 045   |     | 422260-8  | RUBBER SLEEVE 8             | 2   |     |         |           |        |
| 046   |     | 213961-7  | O RING 22                   | 1   |     |         |           |        |
| 047   |     | 141C50-5  | GEAR HOUSING COMPLETE       | 1   |     |         | DD560     |        |
|       | C10 | 263002-9  | RUBBER PIN 4                | 1   |     |         | DD560     |        |
|       | C20 | 424344-8  | DAMPER                      | 1   |     |         | DD560     |        |
| 047-1 |     | 141C50-5  | GEAR HOUSING COMPLETE       | 1   | O   | DD560   |           |        |
|       | C10 | 263002-9  | RUBBER PIN 4                | 1   |     | DD560   |           |        |

B:UH007GM201(H)

Interchange  
 O : Yes  
 X : No  
 < : the new part can be substituted for the current.  
 > : the current part can be substituted for the new.  
 S : Interchangeable as a set.

