



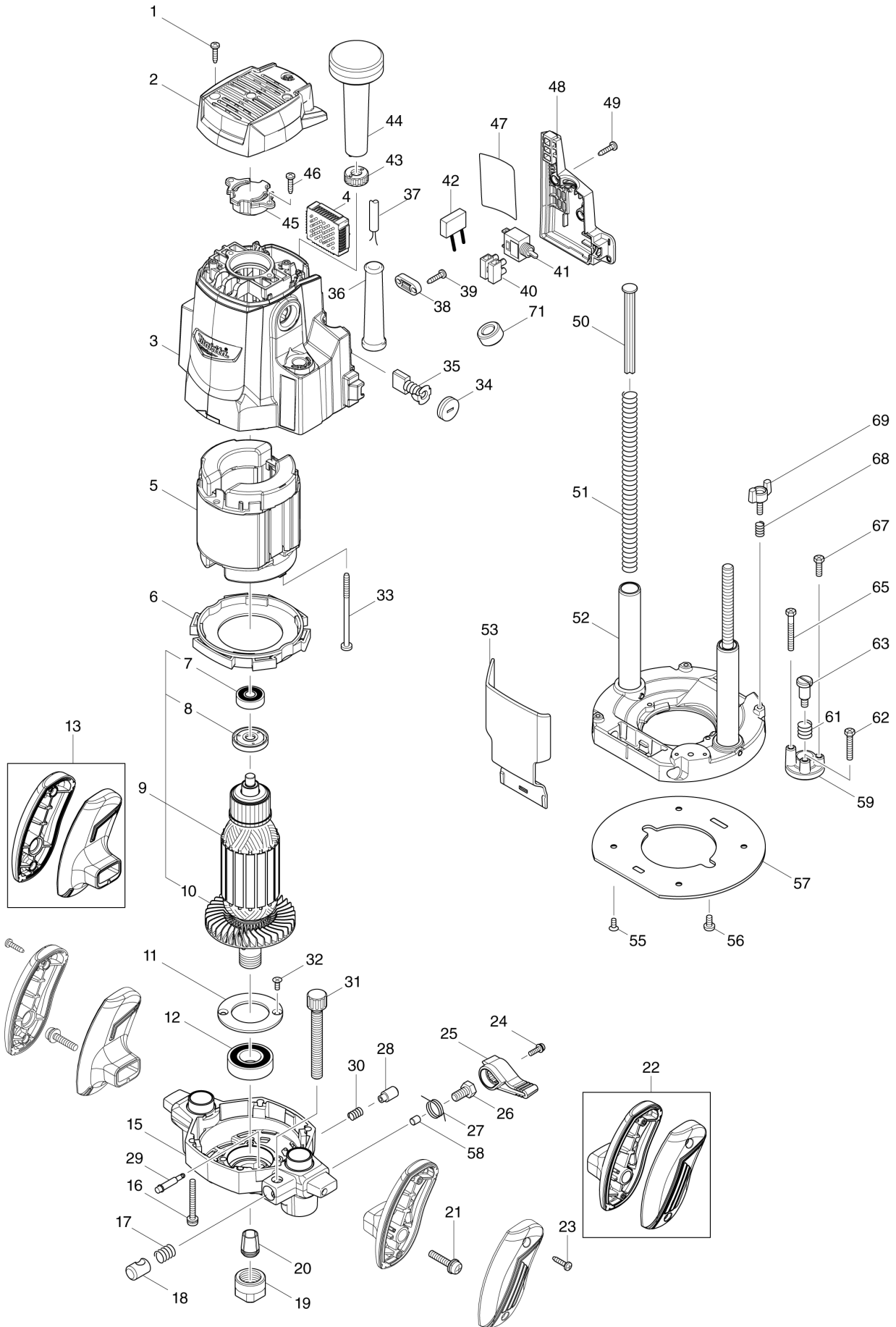
Diagram / Parts List

M3602

ROUTER



(IN) M3602 / ROUTER



IN

INDIA

M3602 / ROUTER

Item	Sub	Parts No.	Parts Description	Qty	I/C	E/C No.	Close No.	Remark
001		266326-2	TAPPING SCREW 4X18	2				
002		413B12-0	TOP COVER	1				
003		141G21-6	MOTOR HOUSING COMPLETE	1				
	C10	643564-7	BRUSH HOLDER	2				
	C20	816811-1	SCALE LABEL	1				
004		620H00-8	CONTROLLER	1				
005		594784-5	FIELD ASS'Y 240V	1				
	C10	654451-5	RING TERMINAL	2				
	C20	654486-6	PARALLEL SPLICE	2				
006		418486-8	BAFFLE PLATE	1				
007		211381-9	BALL BEARING 629ZZ	1				
008		681666-1	INSULATION WASHER	1				
009		517884-4	ARMATURE ASS'Y 240V	1				
	D10		INC. 7,8,10					
010		240069-4	FAN 83	1				
011		285711-0	BEARING RETAINER 50	1				
012		211335-6	BALL BEARING 6004ZZ	1				
013		183C93-1	GRIP L SET	1				
015		141868-6	MOTOR BRACKET COMPLETE	1				
016		911268-2	PAN HEAD SCREW M5X45	4				
017		233397-4	COMPRESSION SPRING 11	1				
018		324424-9	HALF NUT	1				
019		763629-0	COLLET NUT	1				
020		763628-2	COLLET CONE 12MM	1				
021		911353-1	PAN HEAD SCREW M6X30	2				
022		183C94-9	GRIP R SET	1				
023		266326-2	TAPPING SCREW 4X18	4				
024		265099-4	PAN HEAD SCREW M4X14	1				
025		454033-1	LOCK LEVER	1				
026		266335-1	SET BOLT M8X16	1				
027		231670-6	TORSION SPRING 16	1				
028		286270-7	CAP 11	1				
029		256482-6	SHOULDER PIN 6	1				
030		233396-6	COMPRESSION SPRING 7	1				
031		265759-8	THUMB SCREW M10X80	1				
032		265135-6	+ COUNTERSUNK HEAD SCREW M4X1	2				
033		266328-8	TAPPING SCREW 5X80	2				
034		643700-5	BRUSH HOLDER CAP 7-18	2				
035		191953-5	CARBON BRUSH CB-203	1				
036		682574-9	CORD GUARD 10-90	1				
037		665852-2	POWER SUPPLY CORD 1.0-2-2.0	1				
038		687124-5	STRAIN RELIEF	1				
039		266326-2	TAPPING SCREW 4X18	2				
040		654531-7	TERMINAL BLOCK 2P	1				
041		651066-9	SWITCH ST115A-TB-S1	1				
042		645238-6	NOISE SUPPRESSOR	1			DC770	
043		418484-2	NYLON NUT M10	1				
044		153764-6	KNOB 50 COMPLETE	1				
045		317747-2	BEARING BOX	1				
046		266326-2	TAPPING SCREW 4X18	2				
047		8111T9-1	M3602 NAME PLATE	1				
048		413B13-8	SWITCH COVER	1				
049		266326-2	TAPPING SCREW 4X18	2				
050		418492-3	POLE	1				
051		233456-4	COMPRESSION SPRING 11	2				
052		141867-8	BASE COMPLETE	1				
053		454032-3	CHIP DEFLECTOR	1				
055		265135-6	+ COUNTERSUNK HEAD SCREW M4X1	4				
056		265133-0	+ BINDING HEAD SCREW M5X10	2				
057		454026-8	BASE PLATE	1				
058		324425-7	LOCK PIN	1				
059		317748-0	STOPPER	1				
061		233398-2	COMPRESSION SPRING 12	1				
062		265587-1	+HEX. BOLT M5X20	1				
063		251470-8	- FLAT HEAD SCREW M6	1				

Interchange

O : Yes

X : No

< : the new part can be substituted for the current.

> : the current part can be substituted for the new.

S : Interchangeable as a set.

