



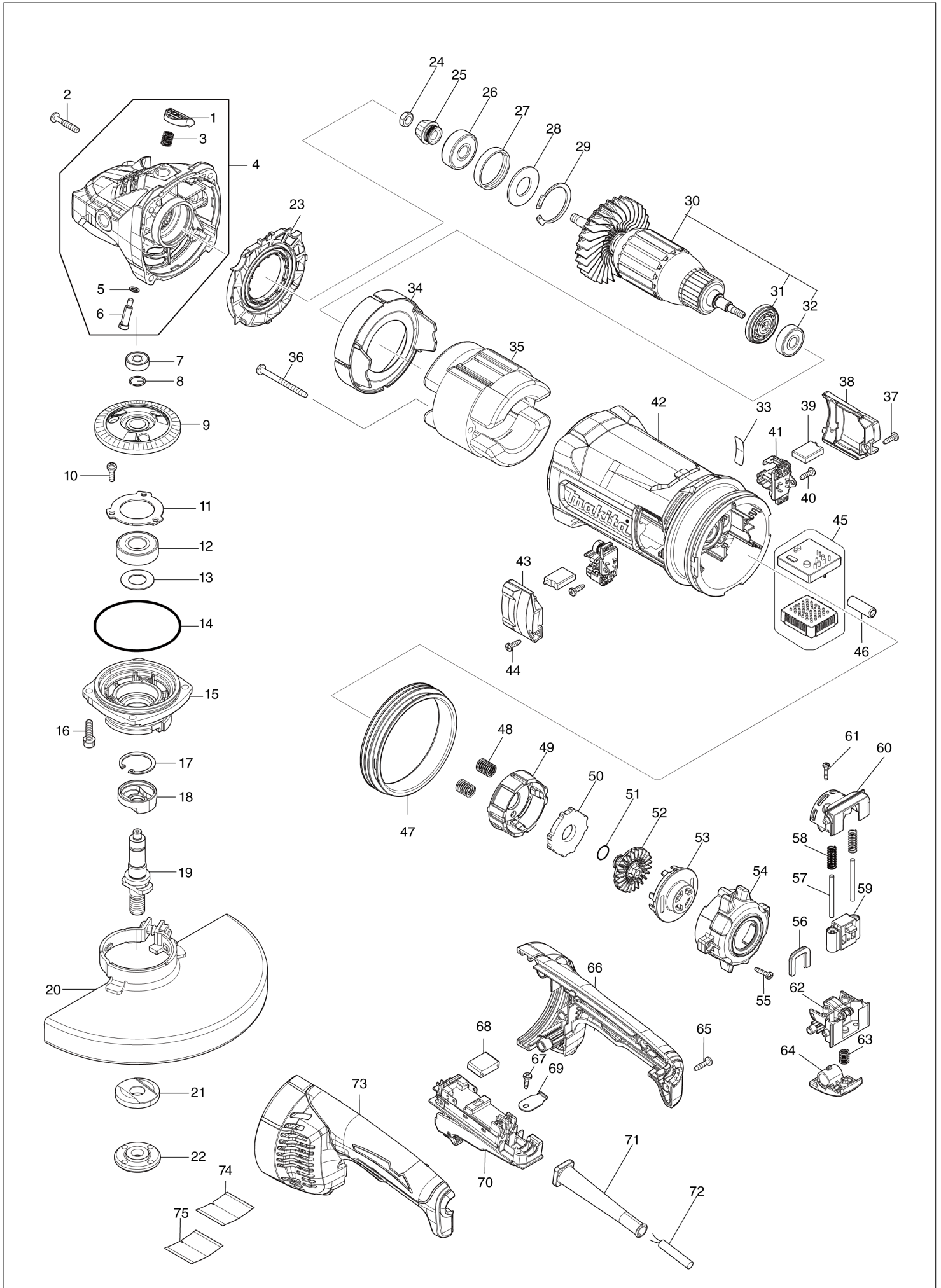
| | |
|----|-------|
| IN | INDIA |
|----|-------|

Diagram / Parts List

GA9070

230MM ANGLE GRINDER

(IN) GA9070 / 230MM ANGLE GRINDER



| | |
|-----------|--------------|
| IN | INDIA |
|-----------|--------------|

GA9070 / 230MM ANGLE GRINDER

| Item | Sub | Parts No. | Parts Description | Qty | I/C | E/C No. | Close No. | Remark |
|------|-----|-----------|-----------------------------|-----|-----|---------|-----------|--------|
| 001 | | 456247-8 | PIN CAP | 1 | | | | |
| 002 | | 266553-1 | TAPPING SCREW 5X30 | 4 | | | | |
| 003 | | 234391-9 | COMPRESSION SPRING 8 | 1 | | | | |
| 004 | | 140Y89-7 | GEAR HOUSING COMPLETE | 1 | | | | |
| | C10 | 263002-9 | RUBBER PIN 4 | 1 | | | | |
| | C20 | 262118-7 | FELT RING 18 | 1 | | | | |
| | D10 | | INC. 1,3,5,6 | | | | | |
| 005 | | 213026-5 | O RING 7 | 1 | | | | |
| 006 | | 256571-7 | SHOULDER PIN 7 | 1 | | | | |
| 007 | | 211032-4 | BALL BEARING 608ZZ | 1 | | | | |
| 008 | | 233925-5 | RING SPRING 13 | 1 | | | | |
| 009 | | 227653-2 | SPIRAL BEVEL GEAR 54 | 1 | | | | |
| 010 | | 265120-9 | PAN HEAD SCREW M5X16 | 3 | | | | |
| 011 | | 285741-1 | BEARING RETAINER 50 | 1 | | | | |
| 012 | | 211278-2 | BALL BEARING 6203DDW | 1 | | | | |
| 013 | | 267487-1 | FLAT WASHER 17 | 1 | | | | |
| 014 | | 213760-7 | O RING 78 | 1 | | | | |
| 015 | | 312A97-6 | BEARING BOX | 1 | | | | |
| 016 | | 265541-5 | HEX. SOCKET HEAD BOLT M6X22 | 4 | | | | |
| 017 | | 962151-6 | RETAINING RING R-32 | 1 | | | | |
| 018 | | 310800-3 | LEAD FLANGE | 1 | | | | |
| 019 | | 327762-8 | SPINDLE | 1 | | | | |
| 020 | | 122891-0 | WHEEL COVER 230K ASSEMBLY | 1 | | | | |
| | C10 | 213017-6 | O RING 6 | 1 | | | | |
| | C20 | 265198-2 | +PAN HEAD SCREW M8X25 | 1 | | | | |
| 021 | | 224447-6 | INNER FLANGE 42B | 1 | | | | |
| 022 | | 224485-8 | LOCK NUT 14-45 | 1 | | | | |
| 023 | | 456238-9 | DIFFUSER | 1 | | | | |
| 024 | | 252194-9 | HEX. NUT M8 | 1 | | | | |
| 025 | | 227652-4 | SPIRAL BEVEL GEAR 13 | 1 | | | | |
| 026 | | 211132-0 | BALL BEARING 6301DDW | 1 | | | | |
| 027 | | 262085-6 | RUBBER RING 38 | 1 | | | | |
| 028 | | 267299-2 | FLAT WASHER 20 | 1 | | | | |
| 029 | | 962211-4 | RETAINING RING R-42 | 1 | | | | |
| 030 | | 511A14-5 | ARMATURE ASS'Y 220-240V | 1 | | | | |
| | C10 | 240161-6 | FAN 86 | 1 | | | | |
| | D10 | | INC. 31,32 | | | | | |
| 031 | | 681025-9 | INSULATION WASHER | 1 | | | | |
| 032 | | 210267-4 | BALL BEARING 6200DDW | 1 | | | | |
| 033 | | 811P30-0 | GA9070 SERIAL NO. LABEL | 1 | | | | |
| 034 | | 456239-7 | BAFFLE PLATE | 1 | | | | |
| 035 | | 621924-3 | FIELD 240V | 1 | | | | |
| 036 | | 266044-2 | TAPPING SCREW 5X60 | 2 | | | | |
| 037 | | 266385-6 | TAPPING SCREW 4X14 | 1 | | | | |
| 038 | | 183T24-2 | BRUSH HOLDER COVER SET | 1 | | | | |
| | D10 | | INC. 43 | | | | | |
| 039 | | 191T31-1 | CARBON BRUSH SET | 1 | | | | |
| 040 | | 266385-6 | TAPPING SCREW 4X14 | 2 | | | | |
| 041 | | 644001-4 | BRUSH HOLDER | 2 | | | | |
| 042 | | 413343-5 | MOTOR HOUSING | 1 | | | | |
| 043 | | 183T24-2 | BRUSH HOLDER COVER SET | 1 | | | | |
| | D10 | | INC. 38 | | | | | |
| 044 | | 266385-6 | TAPPING SCREW 4X14 | 1 | | | | |
| 045 | | 620D47-8 | CONTROLLER | 1 | | | | |
| 047 | | 422671-7 | VIBRATION PROOF RUBBER | 1 | | | | |
| 048 | | 232677-5 | COMPRESSION SPRING 10 | 2 | | | | |
| 049 | | 312A98-4 | SHOE HOLDER | 1 | | | | |
| 050 | | 422672-5 | BRAKE SHOE | 1 | | | | |
| 051 | | 213118-0 | O RING 12 | 1 | | | | |
| 052 | | 313360-4 | FAN 45 | 1 | | | | |
| 053 | | 413388-3 | SHOE HOLDER CAP | 1 | | | | |
| 054 | | 140Y86-3 | SHOE HOLDER COVER COMPLETE | 1 | | | | |
| | C10 | 263027-3 | RUBBER PIN 4 | 2 | | | | |
| 055 | | 266326-2 | TAPPING SCREW 4X18 | 2 | | | | |
| 056 | | 422669-4 | LINK SEAL | 1 | | | | |

Interchange
O : Yes
X : No
< : the new part can be substituted for the current.
> : the current part can be substituted for the new.
S : Interchangeable as a set.

