

High Power  
Durability  
Digital Communication

Satisfy Professional's Needs

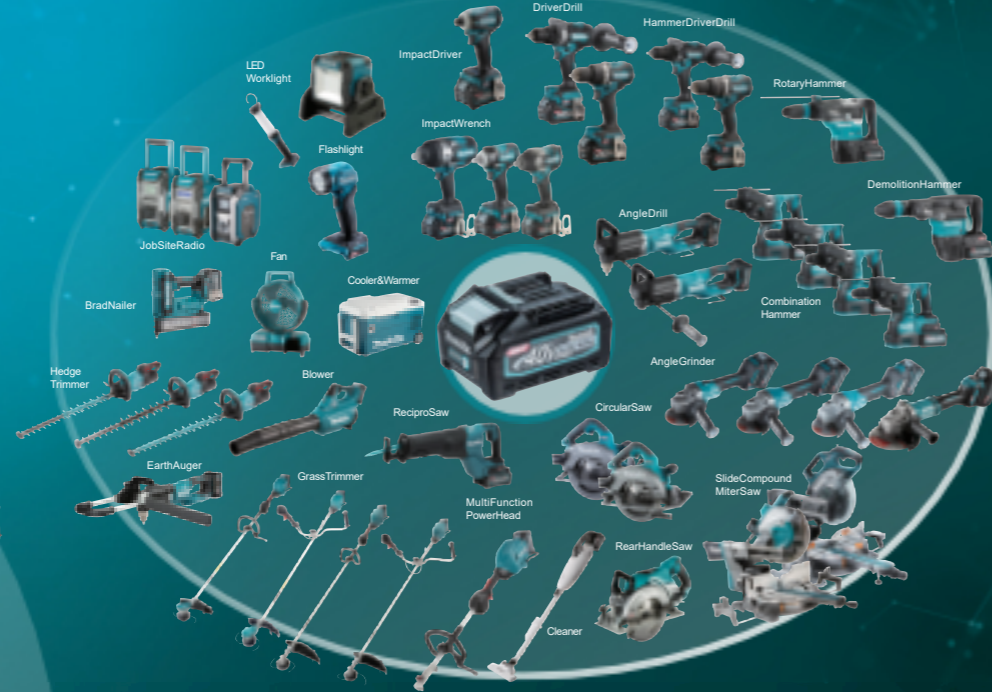


Cordless Plunge Cut Saw  
SP001G 165 mm (6-1/2")

**XGT**  
**40V Li-ION max**



**XGT 40V Li-ION max** **XGT X2 80V max**



Accessories/Optional

T.C.T Saw blade



- Make big reducing stress of cutting
- Tip's shape of New type

No. of Teeth	Plate (mm)	Kerf (mm)	Rake (degree)	WOOD	MDF	Laminated	ALUMINUM	CORIAN®	Part No.
56	1.0	1.45	23°	✓	✓	✓			<b>EFFICUT</b> B-57364
28	1.4	2.0	15°	✓					B-56649
28	1.6	2.2	15°	✓					B-07434
48	1.25	1.85	8°	✓					B-56166
48	1.6	2.2	8°	✓					B-07353
60	1.4	2.0	5°		✓	✓			B-56661
60	1.4	2.0	5°		✓	✓			B-56677
56	1.4	2.0	-3°				✓		B-56655
56	1.7	2.4	-3°				✓		B-07440
48	1.4	2.0	5°					✓	B-56683
48	1.7	2.4	5°					✓	B-10344

Charging Time

	DC40RA Fast Charging	DC40RC
BL4020 2.0Ah	22 min	30 min
*1BL4025 2.5Ah	28 min	38 min
*1BL4040 4.0Ah	45 min	67 min
*1BL4050F 5.0Ah	50 min	85 min

\*1 Recommended battery

Guide rail & Guide rail protective holder

Length	Guide rail Part No.	Guide rail protective holder Part No.
1,000 mm	199140-0	E-05670
1,400 mm	194368-5	E-05664
1,500 mm	199141-8	
1,900 mm	194925-9	E-10920
3,000 mm	194367-7	E-10936

Guide rail protective holder

Guide rail joint connector 2pcs set

Part No. 198884-9/198885-7(EU)

Bevel guide set

Adjustable angle of Guide rail  
Part No. 196664-7

Clamp set

(use with Guide rail)  
Standard: Part No. 194385-5  
Quick: Part No. 199826-6

Guide rule (Sub base)

Part No. 165447-6

Dust bag

Part No. 126599-8

SP001G 165 mm (6-1/2")

Variable Speed	Blade Diameter	165 mm (6-1/2")
Brake	Max Cutting Capacity	90°: 56 mm (2-3/16") 45°: 40 mm (1-9/16") 48°: 38 mm (1-1/2")
Constant Speed	No Load Speed (RPM)	2,500 - 4,900
Soft Start	Vibration Level	2.5 m/s <sup>2</sup> or less
Dust Collection	Sound Pressure Level	89 dB(A)
	Sound Power Level	100 dB(A)
	Dimensions (L x W x H)	w/o Battery: 347x221x271mm (13-5/8"x8-3/4"x10-5/8") w/ BL4040: 375x221x271mm (14-3/4"x8-3/4"x10-5/8")
	Net weight	4.4 - 5.0 kg (9.7 - 11.0 lbs.)

Standard Equipment: Hex wrench: 5 783217-7(1), TCT BLADE 165X20X56TWOOD/MDF DB B-57364(1)



Makita Power Tools India Pvt. Ltd.

Unit II Sy. Nos. 93/3 & 93/4, Koralur Village, Kasaba Hobli, Hoskote Taluk, Bengaluru - 560067  
Email: info@makita.in Website: www.makita.in





Constant speed control provides consistent surface finish.



Max Cutting Capacity **56mm**



- 40Vmax Li-ion battery
- Brushless DC motor
- **EFFICUT** saw blade

**BL**  
MOTOR

Can be attached to the guide rail (option) without an adapter

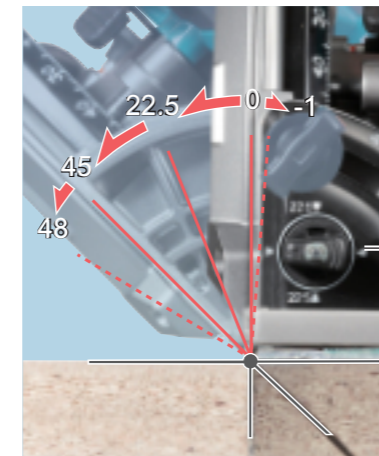
## Cutting Performance

40 x 600mm Kitchen board (Laminated wood) cutting, Bevel angle: 0°

**150** (with BL4040\*)  
cuts

The test results depend to a great extent on the hardness of the test material, etc. \*on a single full charge

## Bevel cut



Bevel range  
:: -1 to 48 degrees

Positive stopper

Precision bevel cut

The position of cutting line is always the same regardless of bevel angle in cutting with Guide Rail attached.

## Easy to plunge cutting



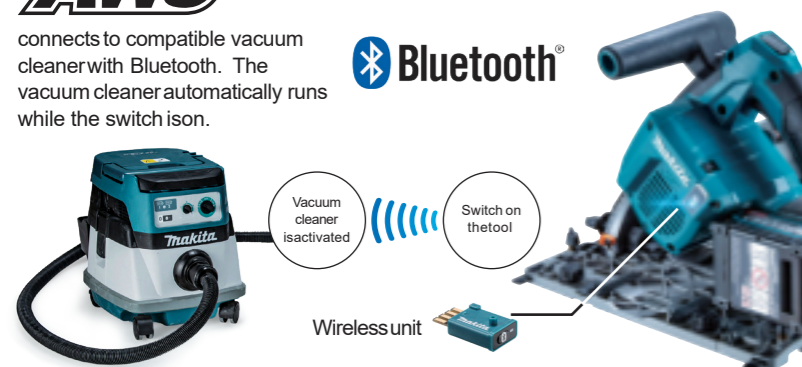
## Depth stopper for splinter-free cutting

Enable to easily cut a preliminary groove at a depth of 2mm (1/16") for splinter-free cuts.

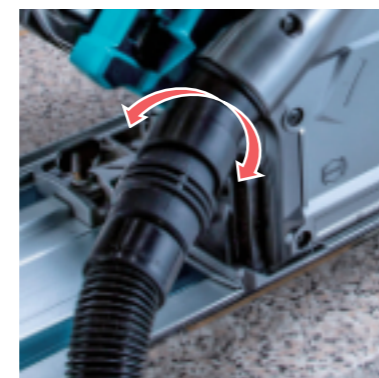


## **AWS** Auto-start Wireless System

connects to compatible vacuum cleaner with Bluetooth. The vacuum cleaner automatically runs while the switch is on.



## Rotatable dust nozzle



Added two leaf springs enable to twist and lock the nozzle with a click in order to reduce unexpected rotation.

## **XPT** eXtreme Protection Technology

Engineered for improved dust and water resistance for operation in harsh conditions



## Variable speed control by dial

An optimum cutting speed can be selected to suit application.



Electric brake enables you to start next operation quickly.



## Soft start

minimizes start-up shock, and makes the tool start smoothly.