



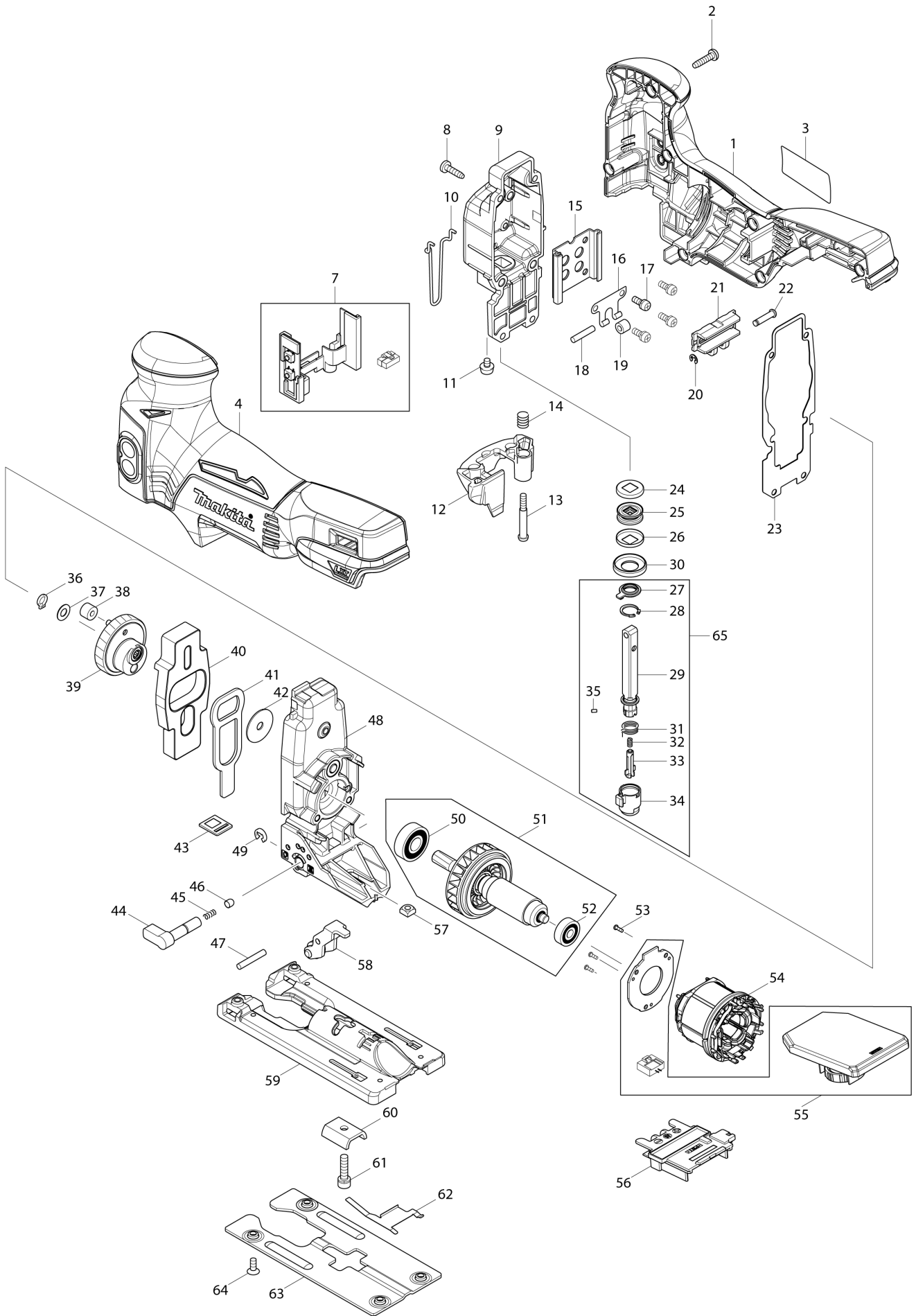
# Diagram / Parts List

DJV181

CORDLESS JIG SAW



(IN) DJV181 / CORDLESS JIG SAW



IN

INDIA

## DJV181 / CORDLESS JIG SAW

Item	Sub	Parts No.	Parts Description	Qty	I/C	E/C No.	Close No.	Remark
001		187704-2	HOUSING SET	1				
	C10	263005-3	RUBBER PIN 6	2				
	C20	801V48-5	SWITCH LABEL	2				
	D10		INC. 4					
002		265995-6	TAPPING SCREW 4X18	7			DA002	
002-1		265652-6	TAPPING SCREW 4X18	7	O	DA002		
003		814S24-2	DJV181 NAME PLATE	1				
004		187704-2	HOUSING SET	1				
	C10	263005-3	RUBBER PIN 6	2				
	C20	801V48-5	SWITCH LABEL	2				
	D10		INC. 1					
007		632A96-5	SWITH UNIT	1				
008		266034-5	TAPPING SCREW CT 4X16	4				
009		142112-4	GEAR HOUSING COVER COMPLETE	1				
010		326302-9	SAFETY WIRE	1				
011		911104-2	PAN HEAD SCREW M4X6	1				
012		454483-0	TOOL OPENER	1				
013		265026-1	+ PAN HEAD SCREW M4	1				
014		231659-4	TORSION SPRING 6	1				
015		346687-7	LINEAR GUIDE	1				
016		232207-2	LEAF SPRING	1				
017		911111-5	PAN HEAD SCREW M4X10 WITH W	4				
018		256117-9	PIN 4	1				
019		214031-5	PLANE BEARING 4	1				
020		961017-7	STOP RING E-3	1				
021-1		310837-0	SLIDER	1				
022		268090-1	PIN 4	1				
023		442195-7	GASKET	1				
024		267854-0	CAP WASHER 8	1				
025		421815-6	DUST SEAL 8	1				
026		267854-0	CAP WASHER 8	1				
027		424569-4	DUST COVER	1				
028		962063-3	RETAINING RING R-13	1				
029		165724-6	ROD	1				
030		257347-5	RING 21	1				
031		233591-8	TORSION SPRING 10	1				
032		233314-4	COMPRESSION SPRING 4	1				
033		310485-5	LOCK PIN	1				
034		310547-9	BLADE HOLDER	1				
035		256528-8	PIN 2	1				
036		961002-0	RETAINING RING S-6	1				
037		253715-0	FLAT WASHER 6	1				
038-1		212092-9	NEEDLE BEARING 407	1				
039		142109-3	GEAR COMPLETE	1				
040		313260-8	BALANCE PLATE	1				
041		346688-5	PUSH PLATE	1				
042		253196-8	FLAT WASHER 6	1				
043		454484-8	SEAL PLATE	1				
044-1		272280-0	LEVER 17	1				
045		233139-6	COMPRESSION SPRING 3	1				
046		286032-3	CAP 5	1				
047		268063-4	PIN 4	1				
048		142111-6	GEAR HOUSING COMPLETE	1				
049		961018-5	STOP RING E-5	1				
050		210059-1	BALL BEARING 6000DDW	1				
051		519329-8	ROTOR ASSY	1				
	D10		INC. 50,52					
052		210022-4	BALL BEARING 626DDW	1				
053		266490-9	TAPPING SCREW PT 2X6	3				
054		629996-2	STATOR	1				
055		620214-1	CONTROLLER	1			D2144	
055-1		620B23-0	CONTROLLER	1	<	D2144		
056		643899-6	TERMINAL	1				
057		252171-1	SQUARE NUT M5-8	1				
058		142110-8	RETAINER COMPLETE	1				

Interchange  
O : Yes  
X : No  
< : the new part can be substituted for the current.  
> : the current part can be substituted for the new.  
S : Interchangeable as a set.

