



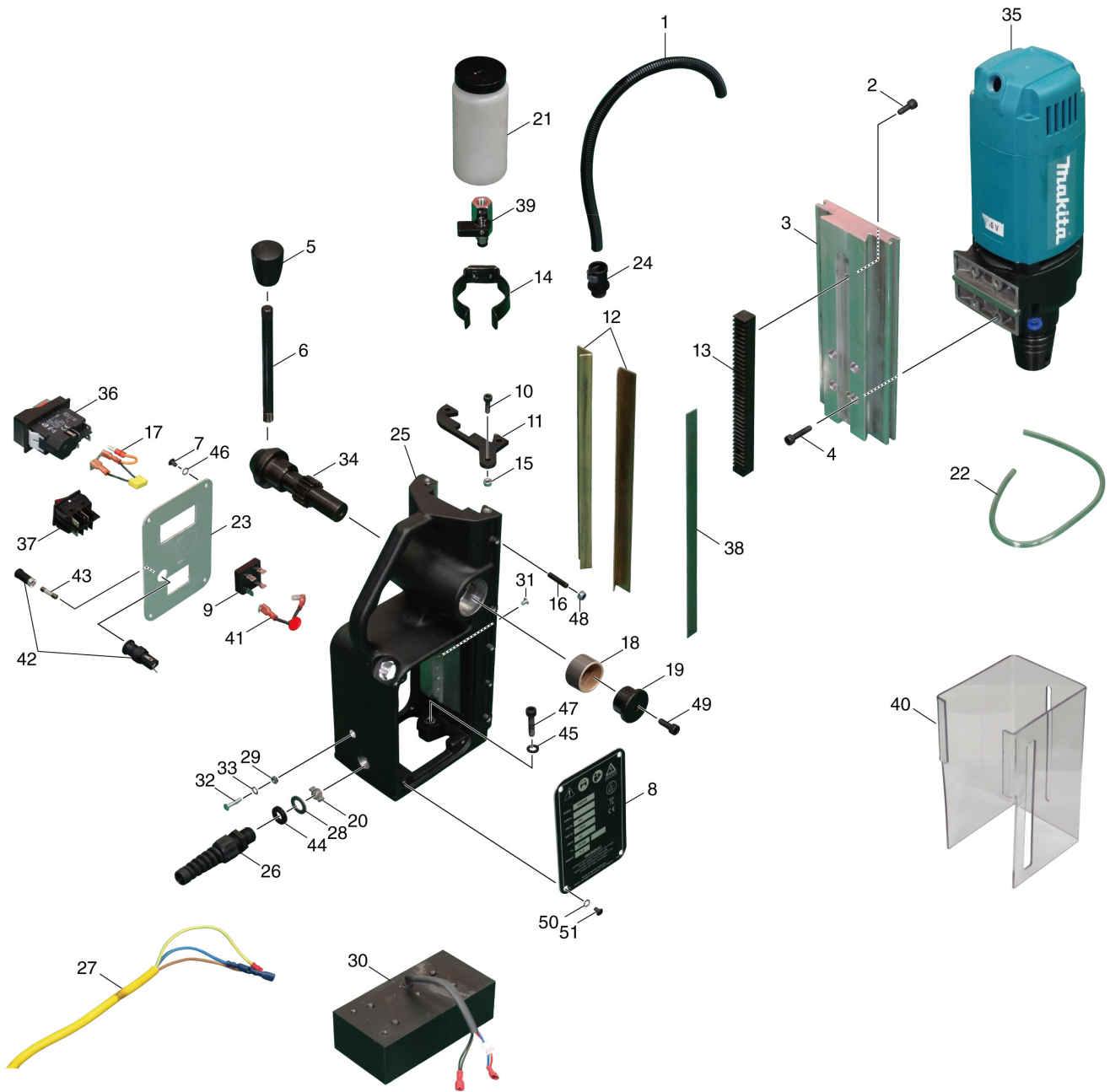
Diagram / Parts List

HB350

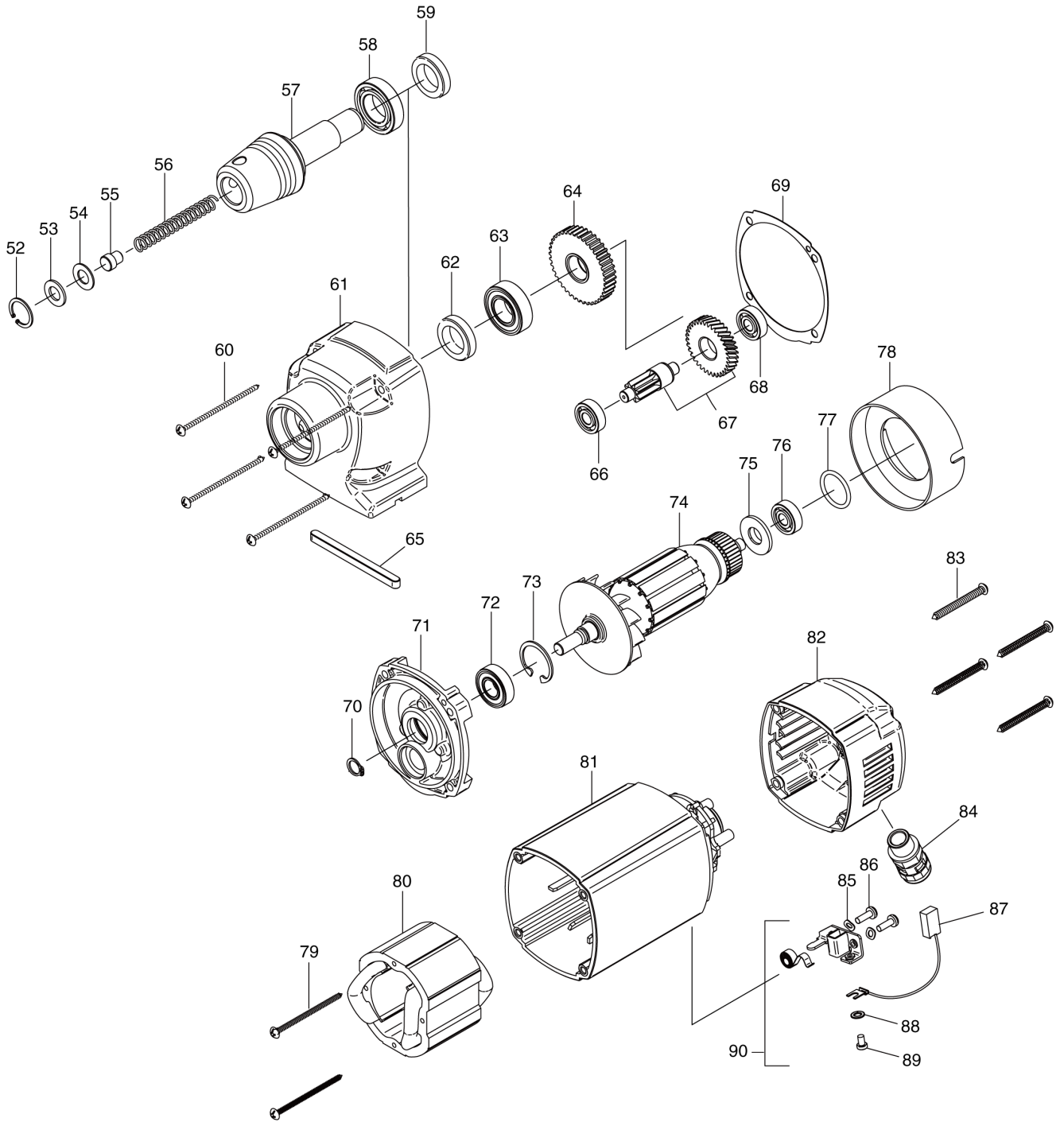
MAGNETIC DRILL



(IN) HB350 / MAGNETIC DRILL



(IN) HB350 / MAGNETIC DRILL



IN

INDIA

HB350 / MAGNETIC DRILL

Item	Sub	Parts No.	Parts Description	Qty	I/C	E/C No.	Close No.	Remark
001		UD000M0443	CONDUIT LARGE 12MM	1				
002		UDSC616CAP	HEX SOCKET HEAD BOLT M6X16	2				
003		UD000M1000	SLIDE	1				
004		UDSC625CAP	HEX SOCKET HEAD BOLT M6X25	4				
005		UD000M0841	HANDLE KNOB	1				
006		UD000BD043	HANDLE(10X130)	1				
007		UD0SC46BUT	H.S. BUTTON HEAD BOLT M4X6	4				
008		UD000M1002	WARNING PLATE HB350 CE MJ	1				
009		UD000M0401	BRIDGE RECTIFIER	1				
010		UDSC516CAP	HEX SOCKET HEAD BOLT M5X16	3				
011		UD00M0811A	BRACKET	1				
012		UD000M0101	RAIL	2				
013		UD000M0831	RACK	1				
014		UD0010076C	OIL CUP RETAINING RING	1				
015		UD0010085B	M5 NYLOC NUT	1				
016		UD0010085A	M5X25 GRUB SCREW	5				
017		UD0RD43118	CAPACITOR	1				
018		UD000M0081	PINION BUSH	2				
019		UD000M0072	PINION END CAP (DEEP)	1				
020		UD0RD47179	O CLIP	1				
021		UD0030046A	SMALL OILCUP C/W TAP (BLACK)	1				
022		UD000BD029	6MM OIL PIPE	1				
023		UD000M1001	PANEL PLATE	1				
024		UD00040026	M16 GLAND	1				
025		UDM0001BLK	MAIN HOUSING	1				
026		UD00010231	M16 STRAIN RELIEF GLAND	1				
027		UD00CLBL06	POWER SUPPLY CORD IN	1				
028		UD0RD47187	FLAT WASHER 10	1				
029		UDNUT-M4-B	HEX NUT M4	1				
030		UD000M1020	MAGNET BASE	1				
031		UD0SC46CSK	-COUNTERSUNK HEAD SCREW M4X6	5				
032		UDSC412CSK	-COUNTERSUNK HEAD SCREW M4X12	1				
033		UD0SPWR-M4	TOOTHED LOCK WASHER 4	1				
034		UD000M0041	PINION	1				
035		UD00EIB523	DRILL UNIT 230V	1				
036		UD00NCP002	SWITCH(230V)	1				
037		UD00NCP006	SWITCH	1				
038		UD000M0441	PLATE	1				
039		UD00050015	COCK	1				
040		UD00VISO18	GUARD	1				
041		UDW18XC521	VARISTOR 20MM 275VRMS	1				
042		UDW18XC511	FUSE HOLDER	1				
043		UDW18XC512	FUSE	1				
044		UD00UOD009	RUBBER WASHER 10	1				
045		UD0SPWR-M5	FLAT WASHER 6	3				
046		UD0SPWR-M4	TOOTHED LOCK WASHER 4	4				
047		UDSC625CAP	HEX SOCKET HEAD BOLT M6X25	3				
048		UD0010085B	M5 NYLOC NUT	5				
049		UDSC616CAP	HEX SOCKET HEAD BOLT M6X16	1				
050		UD0SPWR-M4	TOOTHED LOCK WASHER 4	4				
051		UD0SC46BUT	H.S. BUTTON HEAD BOLT M4X6	4				
052		UD00EBD030	CIRCLIP	1				
053		UD00EBD029	RUBBER WASHER	1				
054		UD00EBD028	WASHER	1				
055		UD00EBD027	EJECTION PLUG	1				
056		UD00EBD026	COMPRESSION SPRING	1				
057		UD00EIB528	SPINDLE	1				
058		UD00EBD025	BALL BEARING 6904 2RS	1				
059		UD00EBD020	OIL SEAL	1				
060		UD00EBD022	TAPPING SCREW 4.8X60	4				
061		UD00EBD021	GEAR CASE	1				
062		UD00EBD020	OIL SEAL	1				
063		UD00UDC004	BALL BEARING 6003 2RS	1				
064		UD00EBD019	SPINDLE GEAR	1				
065		UD000M1019	KEY	1				

Interchange

O : Yes

X : No

< : the new part can be substituted for the current.

> : the current part can be substituted for the new.

S : Interchangeable as a set.

