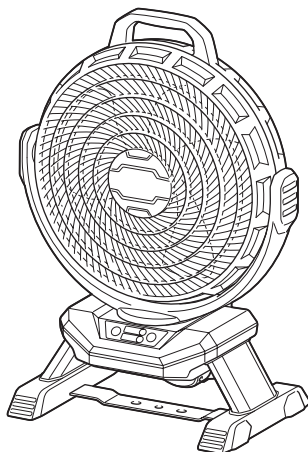


INSTRUCTION MANUAL
MANUEL D'INSTRUCTION
MANUAL DE INSTRUCCIONES



Cordless Fan Ventilateur Sans Fil Ventilador Inalámbrico

DCF301



IMPORTANT: Read Before Using.

IMPORTANT : Lire avant usage.

IMPORTANTE: Lea antes de usar.

SAFETY WARNINGS

To prevent serious injury, please read and understand all warnings and instructions before use.

You will need this manual for the safety warnings and precautions, assembly, operating, inspection, maintenance procedures. Keep this manual in a safe and dry place for future reference.

IMPORTANT SAFETY INSTRUCTIONS

When using an electrical appliance, basic precautions should always be followed, including the following:

READ ALL INSTRUCTIONS BEFORE USING THIS APPLIANCE.

WARNING

To reduce the risk of fire, electric shock or injury:

1. Do not expose to rain. Store indoors.
2. Do not allow to be used as a toy. Close attention is necessary when used by or near children.
3. Use only as described in this manual. Use only manufacturer's recommended attachments.
4. Do not use with damaged battery. If appliance is not working as it should has been dropped, damaged, left outdoors, or dropped into water, return it to our service center.
5. Do not handle the appliance with wet hands.
6. Do not put any object into openings.
7. Keep hair, loose clothing, finger and all parts of body away from openings and moving parts.
8. Turn off all controls before removing the battery.
9. Use only the AC adaptor and charger supplied by the manufacturer. Accessories that may be suitable for the appliance may become hazardous when used on others.
10. Do not charge the battery outdoors.
11. This appliance is not intended for use by persons (including children) with reduced physical, sensory or mental capabilities, or lack of experience and knowledge, unless they have been given supervision or instruction concerning use of the appliance by a person responsible for their safety.
12. Children should be supervised to ensure that they do not play with the appliance.
13. Do not expose to fire or high temperatures.
14. Do not use near open flames, glowing embers or explosive atmospheres, such as in presence of flammable liquids, gases or dust. The appliance creates sparks which may ignite the dust or fumes.
15. To reduce the risk of fire or electric shock, do not use this fan with any solid-state speed control device.
16. Never use the appliance in humid locations such as in a bathroom.
17. This appliance is indoor use only. Never use the appliance outdoors.
18. This appliance is intended for household use.

19. Read this instruction manual and the charger instruction manual carefully before use.
20. Stop operation immediately if you notice any abnormal.
21. If you drop or strike the appliance, check it carefully for cracks or damage before operation.
22. Do not bring the appliance close to stoves or other heat sources.
23. Do not use if broken, bent, cracked or damaged parts are present. Any appliance that appears damaged in any way or operates abnormally must be removed from service immediately. Inspect before each operation.
24. Do not leave the appliance energized and unattended.
25. Don't abuse the AC adaptor. Never use the adaptor cord to carry the appliance or pull the plug out from an outlet. Keep the AC adaptor away from heat, oil, sharp edges, or moving parts. Replace damaged adaptor immediately. Damaged adaptor may increase the risk of electric shock.

Battery tool use and care

1. **Recharge only with the charger specified by the manufacturer.** A charger that is suitable for one type of battery pack may create a risk of fire when used with another battery pack.
2. **Use power tools only with specifically designated battery packs.** Use of any other battery packs may create a risk of injury and fire.
3. **When battery pack is not in use, keep it away from other metal objects, like paper clips, coins, keys, nails, screws or other small metal objects, that can make a connection from one terminal to another.** Shorting the battery terminals together may cause burns or a fire.
4. **Under abusive conditions, liquid may be ejected from the battery; avoid contact. If contact accidentally occurs, flush with water. If liquid contacts eyes, additionally seek medical help.** Liquid ejected from the battery may cause irritation or burns.
5. **Do not use a battery pack or tool that is damaged or modified.** Damaged or modified batteries may exhibit unpredictable behaviour resulting in fire, explosion or risk of injury.
6. **Do not expose a battery pack or tool to fire or excessive temperature.** Exposure to fire or temperature above 130 °C may cause explosion.
7. **Follow all charging instructions and do not charge the battery pack or tool outside the temperature range specified in the instructions.** Charging improperly or at temperatures outside the specified range may damage the battery and increase the risk of fire.

READ AND SAVE THESE INSTRUCTIONS.

CORDLESS FAN USE AND CARE

1. Use the correct cordless fan for your application. Do not use the fan for a purpose for which it is not intended.
2. The appliance can work by Makita Li-ion battery cartridge designated in "SPECIFICATIONS" section in this instruction manual or AC adaptor. Use of any other batteries may create a risk of fire. Recharge batteries only with the specified charger. A charger that may be suitable for one type of battery may create a risk of fire when used with another battery.
3. Store idle appliance out of reach of children and other untrained persons.
4. Disconnect battery cartridge and the AC adaptor from the power source before storing the appliance, performing any inspection, maintenance, or cleaning procedures. Such preventive safety measures may reduce the risk of starting the appliance accidentally.
5. When battery cartridge is not in use, keep it away from other metal objects. Shortening the battery terminals together may cause sparks, burns or a fire.
6. Unplug unit and allow it to cool before performing any inspection, maintenance, cleaning procedures or storage.
7. Do not allow familiarity with appliances to make you careless. Remember that a careless fraction of a second is sufficient to inflict serious injury.
8. Always place the appliance on a level and stable surface. If the appliance falls, it may cause personal injury or damage to the appliance.
9. Do not use any batteries, attachments or accessories not recommended by the manufacturer of this appliance. The use of batteries, attachments or accessories not recommended can result in serious personal injury.
10. Keep hair or loose clothing like a scarf away from the fan. It may be caught in the fan and result in personal injury.
11. Ensure the switch is in the off-position before picking up or carrying the appliance. Carrying the appliance with your finger on the switch invites accidents.
12. Do not modify or attempt to repair the appliance or the battery cartridge except as indicated in the instructions for use and care.

SERVICE

1. This appliance service must be performed only by qualified repair personnel. Service or maintenance performed by unqualified personnel could result in a risk of injury.
2. When servicing this appliance, use only identical replacement parts. Use of unauthorized parts or failure to follow maintenance instructions may create a risk of electric shock or injury.
3. Do not incinerate this appliance, even if it is severely damaged. The batteries can explode in a fire. Dispose of the appliance in accordance with the local regulations.

Symbols

The followings show the symbols used for tool.

V	volts
A	amperes
— ---	direct current

Important safety instructions for battery cartridge

1. **Before using battery cartridge, read all instructions and cautionary markings on (1) battery charger, (2) battery, and (3) product using battery.**
2. **Do not disassemble or tamper with the battery cartridge.** It may result in a fire, excessive heat, or explosion.
3. **If operating time has become excessively shorter, stop operating immediately. It may result in a risk of overheating, possible burns and even an explosion.**
4. **If electrolyte gets into your eyes, rinse them out with clear water and seek medical attention right away. It may result in loss of your eyesight.**
5. **Do not short the battery cartridge:**
 - (1) **Do not touch the terminals with any conductive material.**
 - (2) **Avoid storing battery cartridge in a container with other metal objects such as nails, coins, etc.**
 - (3) **Do not expose battery cartridge to water or rain.**

A battery short can cause a large current flow, overheating, possible burns and even a breakdown.
6. **Do not store and use the tool and battery cartridge in locations where the temperature may reach or exceed 50 °C (122 °F).**
7. **Do not incinerate the battery cartridge even if it is severely damaged or is completely worn out. The battery cartridge can explode in a fire.**
8. **Do not nail, cut, crush, throw, drop the battery cartridge, or hit against a hard object to the battery cartridge.** Such conduct may result in a fire, excessive heat, or explosion.
9. **Do not use a damaged battery.**
10. **The contained lithium-ion batteries are subject to the Dangerous Goods Legislation requirements.** For commercial transports e.g. by third parties, forwarding agents, special requirement on packaging and labeling must be observed. For preparation of the item being shipped, consulting an expert for hazardous material is required. Please also observe possibly more detailed national regulations. Tape or mask off open contacts and pack up the battery in such a manner that it cannot move around in the packaging.

11. When disposing the battery cartridge, remove it from the tool and dispose of it in a safe place. Follow your local regulations relating to disposal of battery.
12. Use the batteries only with the products specified by Makita. Installing the batteries to non-compliant products may result in a fire, excessive heat, explosion, or leak of electrolyte.
13. If the tool is not used for a long period of time, the battery must be removed from the tool.
14. During and after use, the battery cartridge may take on heat which can cause burns or low temperature burns. Pay attention to the handling of hot battery cartridges.
15. Do not touch the terminal of the tool immediately after use as it may get hot enough to cause burns.
16. Do not allow chips, dust, or soil stuck into the terminals, holes, and grooves of the battery cartridge. It may result in poor performance or breakdown of the tool or battery cartridge.
17. Unless the tool supports the use near high-voltage electrical power lines, do not use the battery cartridge near high-voltage electrical power lines. It may result in a malfunction or breakdown of the tool or battery cartridge.
18. Keep the battery away from children.

⚠ CAUTION: Only use genuine Makita batteries. Use of non-genuine Makita batteries, or batteries that have been altered, may result in the battery bursting causing fires, personal injury and damage. It will also void the Makita warranty for the Makita tool and charger.

Tips for maintaining maximum battery life

1. Charge the battery cartridge before completely discharged. Always stop tool operation and charge the battery cartridge when you notice less tool power.
2. Never recharge a fully charged battery cartridge. Overcharging shortens the battery service life.
3. Charge the battery cartridge with room temperature at 10 °C - 40 °C (50 °F - 104 °F). Let a hot battery cartridge cool down before charging it.
4. When not using the battery cartridge, remove it from the tool or the charger.
5. Charge the battery cartridge if you do not use it for a long period (more than six months).

SAVE THESE INSTRUCTIONS.

SPECIFICATIONS

This fan is equipped with 3-speed control, fan head oscillation, and auto-off timer functions. Power supply can be with Makita battery cartridge or AC adaptor.

Model:		DCF301
Rated voltage		D.C. 14.4 V / 18 V
AC adaptor	Input	100 – 240 V, 50 / 60 Hz, 1.2 A max
	Output	12 V, 3.5 A
Dimensions (L x W x H)		261 mm x 439 mm x 602 mm (10-1/4" x 17-1/4" x 23-3/4")
Net weight (without battery cartridge)		3.8 kg (8.4 lbs)

- Due to our continuing program of research and development, the specifications herein are subject to change without notice.
- Specifications may differ from country to country.

Applicable battery cartridge and charger

Battery cartridge	D.C.14.4 V Model	BL1430B
	D.C.18 V Model	BL1815N / BL1820B / BL1830 / BL1830B / BL1840B / BL1850B / BL1860B
Charger	DC18RC / DC18RD / DC18RE / DC18SD / DC18SE / DC18SF / DC18SH	

- Some of the battery cartridges and chargers listed above may not be available depending on your region of residence.

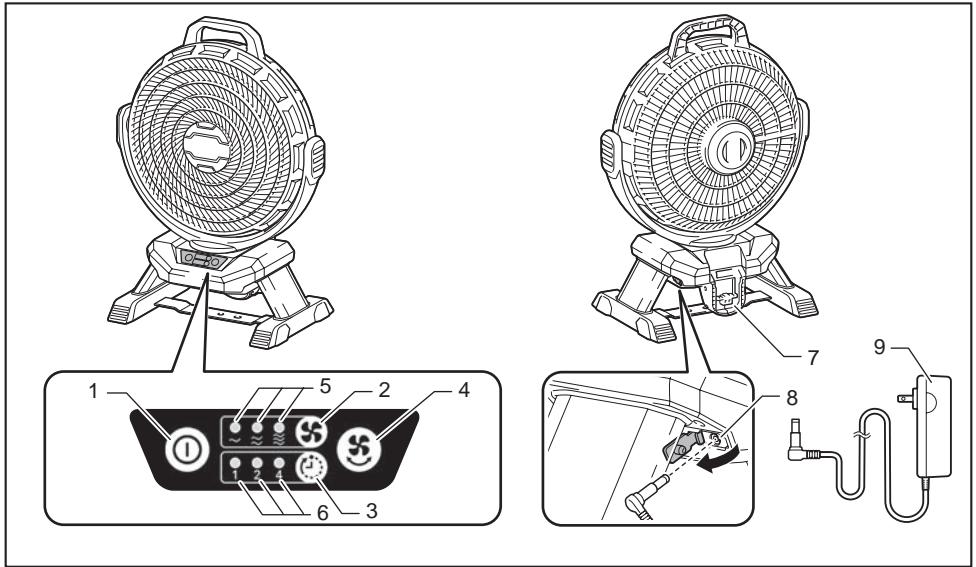
⚠ WARNING: Only use the battery cartridges and chargers listed above. Use of any other battery cartridges and chargers may cause injury and/or fire.

Battery running time

Following table refers to some of battery cartridges from Makita. The estimated running time of full charged battery is shown:

Battery cartridge	Wind speed		
	High	Medium	Low
BL1860B	215 min	430 min	850 min

PARTS DESCRIPTION



1	Power switch button	2	Wind speed change button	3	Auto-off timer button
4	Oscillation button	5	Wind speed indicator	6	Auto-off timer indicator
7	Battery slot	8	12V DC socket	9	AC adaptor

FUNCTIONAL DESCRIPTION

CAUTION: Always be sure that the appliance is switched off and the battery cartridge is removed before adjusting or checking function on the appliance.

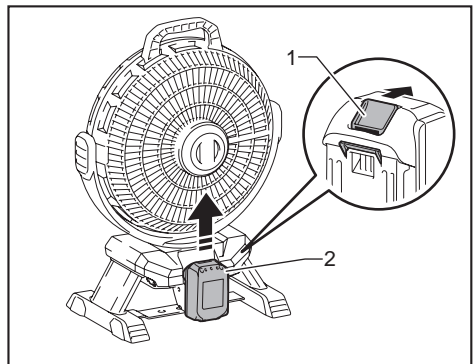
Installing or removing battery cartridge

CAUTION: Always switch off the appliance before installing or removing of the battery cartridge.

CAUTION: Hold the appliance and the battery cartridge firmly when installing or removing battery cartridge. Failure to hold the appliance and the battery cartridge firmly may cause them to slip off your hands and result in damage to the appliance and battery cartridge and a personal injury.

To remove the battery cartridge, slide it from the appliance while sliding the button on the front of the cartridge.

To install the battery cartridge, align the tongue on the battery cartridge with the groove in the housing and slip it into place. Insert it all the way until it locks in place with a little click.



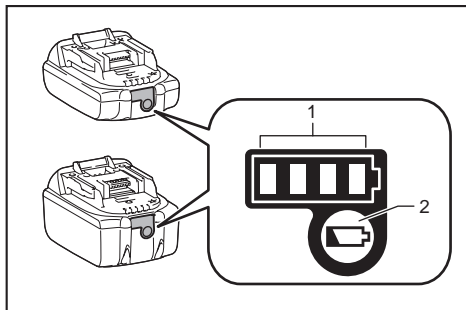
► 1. Button 2. Battery cartridge

CAUTION: Always install the battery cartridge fully. If not, it may accidentally fall out of the appliance, causing injury to you or someone around you.

CAUTION: Do not install the battery cartridge forcibly. If the cartridge does not slide in easily, it is not being inserted correctly.

Indicating the remaining battery capacity

Only for battery cartridges with the indicator



► 1. Indicator lamps 2. Check button

Press the check button on the battery cartridge to indicate the remaining battery capacity. The indicator lamps light up for a few seconds.

Indicator lamps			Remaining capacity
Lighted	Off	Blinking	
■ ■ ■ ■			75% to 100%
■ ■ ■ □			50% to 75%
■ ■ □ □			25% to 50%
■ □ □ □			0% to 25%
▣ □ □ □			Charge the battery.
■ ■ □ □			The battery may have malfunctioned.
□ □ ■ ■	↑ ↓		

NOTE: Depending on the conditions of use and the ambient temperature, the indication may differ slightly from the actual capacity.

NOTE: The first (far left) indicator lamp will blink when the battery protection system works.

Appliance / battery protection system

The appliance is equipped with the protection system. This system automatically cuts off power to the motor to extend appliance and battery life. The appliance will automatically stop during operation if the appliance or battery is placed under one of the following conditions.

- **Overload protection :** When the appliance or battery is operated in a manner that causes it to draw an abnormally high current, the appliance automatically stops without any indication. In this situation, turn the appliance off and stop the application that caused the appliance to become overloaded. Then turn the appliance on to restart.
- **Overheat protection :** When the appliance or battery is overheated, the appliance automatically stops. Let the appliance cool down before turning it on again.
- **Overdischarge protection :** When the battery capacity becomes low, the appliance stops automatically. If the appliance does not operate even when the switches are operated, remove the battery cartridge from the appliance and charge it.

OPERATION

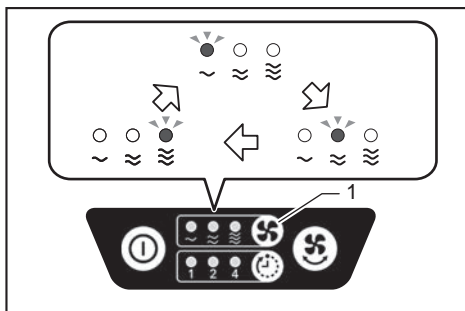
CAUTION: The fan is made from polypropylene resin. Some kind of oil agent or chemicals which deteriorate resin may break the fan and cause an injury.

Starting / stopping the fan

Press the power switch button to turn on the fan. Press the power switch button again to turn off the fan.

Changing wind speed

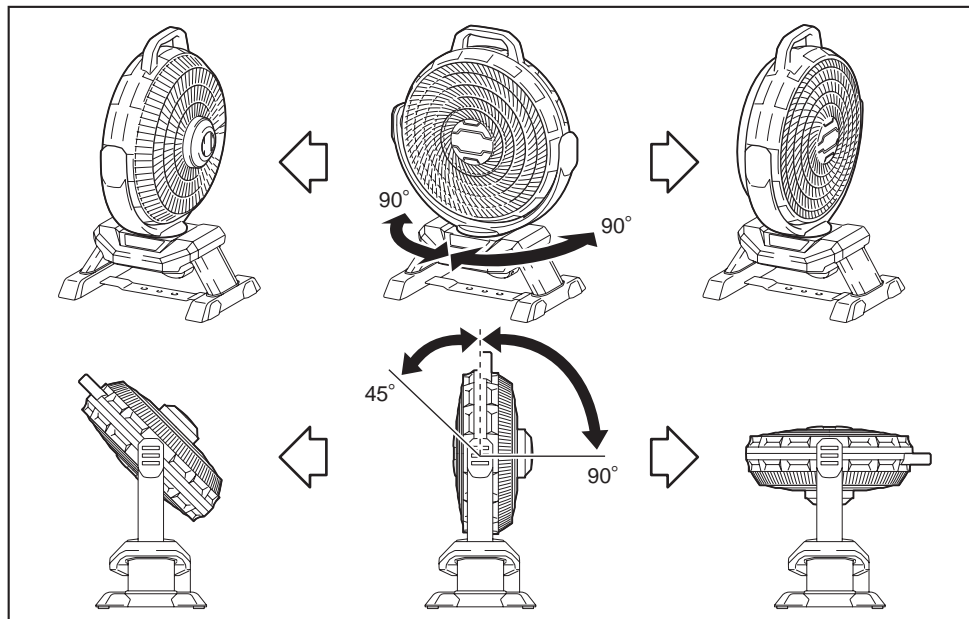
Press the wind speed change button while the fan is running. The wind speed increases every time you press the button. The wind speed will return to the lowest speed when running in the highest speed. The cordless fan will start in the same speed as the previous setting.



► 1. Wind speed change button

Adjusting fan head angle

The angle of the fan head can be adjusted manually. The adjustable range of the fan head is as shown in the figure.



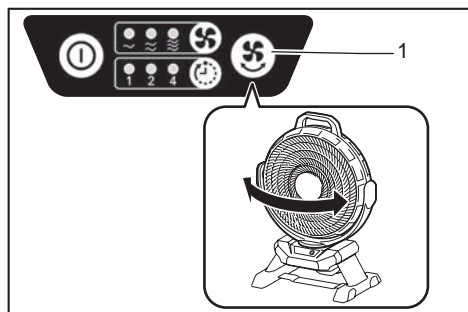
NOTICE: Do not turn the fan head beyond the adjustable range.

Oscillating the fan head

CAUTION: When oscillating the fan head, keep obstacles clear of the moving range of the fan head. The cordless fan may be pushed and fall by the oscillation.

CAUTION: Do not stop the oscillation by holding the fan head. Always press the oscillation button to stop.

Press the oscillation button to oscillate the fan head. Press the button again to stop the oscillation. The fan head begins to oscillate from the current position when the oscillation button is pressed. The fan head oscillates in the range of 90-degrees.

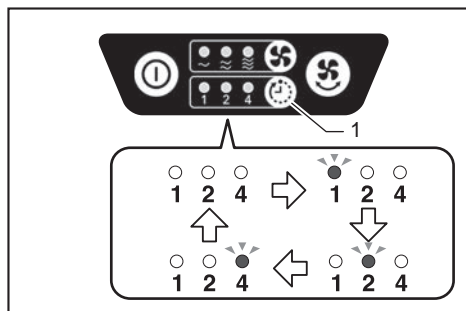


► 1. Oscillation button

NOTE: Depending on the fan head position, the fan head may not oscillate soon after the oscillation button is pressed because of the oscillation mechanism.

Auto-off timer

Press the auto-off timer button while the fan is running. The duration to activate auto-off timer changes every time you press the button (1 hour / 2 hours / 4 hours / off). The number under each auto-off timer indicator shows the remaining hour(s) to turn off the fan. The auto-off timer indicator will turn off with time.



► 1. Auto-off timer button

NOTE: Depending on the battery cartridge type and its remaining capacity, the auto-off timer may be activated earlier than the set time.

Using AC adaptor

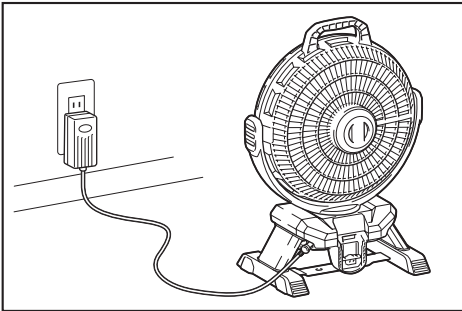
⚠ WARNING: Never use the appliance when the cord or plug is damaged.

⚠ WARNING: Do not handle the plug with wet or greasy hand.

⚠ WARNING: Do not leave the AC adaptor disconnected from the appliance while the power is supplied from the mains. Small children may put the live plug in their mouth and cause injury.

⚠ WARNING: Do not put the live plug or cord into your mouth. Doing so might cause an electric shock.

Insert the 12V DC plug of AC adaptor into the 12V DC socket, and then plug the AC pins into a main power supply. Make sure that the voltage rating of the main power supply corresponds with that of the adaptor.



NOTE: After the AC adaptor is connected, the appliance may take 3–5 seconds to start.

NOTE: The adaptor might creak while using it for the power supply. This doesn't affect normal use.

NOTE: Even operating in DC power mode, the appliance is automatically changed into AC power mode when plugged in.

NOTE: When the cordless fan switches the power mode from DC to AC, and vice versa, the wind speed may change temporarily.

NOTE: The AC adaptor does not charge the battery inserted to the appliance.

MAINTENANCE

⚠ CAUTION: Always be sure that the appliance is switched off, unplugged, and the battery cartridge is removed before attempting to perform inspection or maintenance.

NOTICE: Never use gasoline, benzine, thinner, alcohol or the like. Discoloration, deformation or cracks may result.

To maintain product SAFETY and RELIABILITY, repairs, any other maintenance or adjustment should be performed by Makita Authorized or Factory Service Centers, always using Makita replacement parts.

General maintenance

After the appliance is cooled, use clean clothes to remove dirt, dust, oil, grease etc.

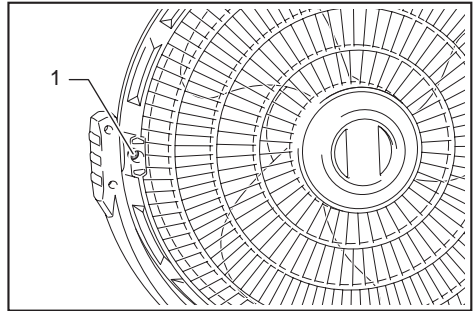
⚠ WARNING: All parts should be replaced at an Authorized Service Center.

Fan Cleaning

⚠ CAUTION: Ensure that the fan is switched off from the supply mains before removing the guard.

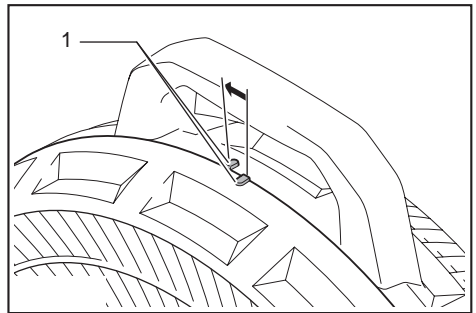
When cleaning the inside of fan-cover, remove the fan-cover by following way.

1. Loosen the screw located on the back of the fan-cover.

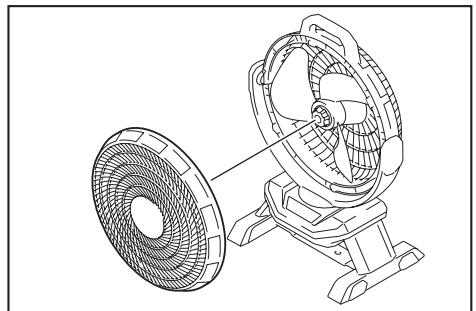


- 1. Screw

2. Turn the fan-cover counterclockwise, and remove the fan-cover when the markings are aligned as illustrated.



- 1. Marking



Wipe off the fan and fan-cover using a cloth dampened in soapy water.

To attach the fan-cover, follow the removing procedure in reverse. When attaching the fan-cover, make sure that the fan-cover is locked with a click.

⚠ CAUTION: Always make sure that the fan-cover is attached before use.

⚠ CAUTION: Attach the fan-cover securely. If the fan-cover is attached halfway or incorrectly, it may come off and result in personal injury or damage to the appliance.

NOTICE: Avoid applying too much load on the fan-cover. It may lead to breakage.

Storage

To prevent fire or burning, allow the appliance to cool down completely before you store it. Do not store the discharged battery for long periods, as it can shorten its service life.

OPTIONAL ACCESSORIES

⚠ CAUTION: These accessories or attachments are recommended for use with your Makita appliance specified in this manual. The use of any other accessories or attachments might present a risk of injury to persons. Only use accessory or attachment for its stated purpose.

If you need any assistance for more details regarding these accessories, ask your local Makita Service Center.

- Makita genuine battery and charger

NOTE: Some items in the list may be included in the tool package as standard accessories. They may differ from country to country.

MAKITA LIMITED WARRANTY

Please refer to the annexed warranty sheet for the most current warranty terms applicable to this product. If annexed warranty sheet is not available, refer to the warranty details set forth at below website for your respective country.

United States of America: www.makitatools.com

Canada: www.makita.ca

Other countries: www.makita.com

CONSIGNES DE SÉCURITÉ

Pour éviter une grave blessure, veuillez lire et comprendre toutes les mises en garde et instructions avant l'utilisation.

Vous aurez besoin de ce manuel pour les consignes de sécurité et précautions, ainsi que pour les procédures d'assemblage, d'utilisation, d'inspection et d'entretien. Conservez ce manuel dans un emplacement sûr et sec pour référence future.

IMPORTANTES CONSIGNES DE SÉCURITÉ

Lors de l'utilisation d'un appareil électrique, vous devez toujours prendre des précautions de base, dont les suivantes :

LISEZ TOUTES LES INSTRUCTIONS AVANT D'UTILISER CET APPAREIL.

MISE EN GARDE

Pour réduire les risques d'incendie, de décharge électrique ou de blessure :

1. Ne l'exposez pas à la pluie. Rangez-le à l'intérieur.
2. Ne laissez personne l'utiliser comme jouet. Une attention particulière est nécessaire lors de l'utilisation par les enfants ou près d'eux.
3. Utilisez-le uniquement de la façon décrite dans ce manuel. Utilisez uniquement les pièces complémentaires recommandées par le fabricant.
4. Ne l'utilisez pas avec une batterie endommagée. Si l'appareil ne fonctionne pas bien après avoir été échappé, endommagé, laissé à l'extérieur ou échappé dans l'eau, retournez-le à notre centre de service après-vente.
5. Ne manipulez pas l'appareil avec les mains mouillées.
6. Ne mettez rien dans les ouvertures.
7. Gardez les cheveux, les vêtements amples, les doigts et toute autre partie du corps à l'écart des ouvertures et des pièces en mouvement.
8. Mettez toutes les commandes hors tension avant de retirer la batterie.
9. Utilisez uniquement l'adaptateur secteur et le chargeur fournis par le fabricant. Des accessoires adéquats pour un appareil donné peuvent devenir dangereux lorsqu'ils sont utilisés sur d'autres appareils.
10. Ne chargez pas la batterie à l'extérieur.
11. Cet appareil n'est pas conçu pour être utilisé par les personnes (y compris les enfants) à facultés physiques, sensorielles ou mentales réduites ou dont l'expérience et les connaissances sont insuffisantes, à moins qu'ils ne soient supervisés ou n'aient reçu des instructions sur l'utilisation de l'appareil par une personne responsable de leur sécurité.

12. Les enfants doivent être supervisés pour s'assurer qu'ils ne jouent pas avec l'appareil.
13. Ne l'exposez ni au feu ni à des températures élevées.
14. Ne l'utilisez pas à proximité de flammes nues, de braises incandescentes ou d'atmosphères explosives, par exemple en présence de liquides, gaz ou poussières inflammables. L'appareil génère des étincelles qui peuvent enflammer les poussières ou les vapeurs.
15. Pour réduire le risque d'incendie ou de décharge électrique, n'utilisez pas ce ventilateur avec un dispositif de commande de vitesse à semi-conducteurs.
16. N'utilisez jamais l'appareil dans les emplacements humides tels qu'une salle de bain.
17. Cet appareil est conçu uniquement pour l'utilisation à l'intérieur. N'utilisez jamais l'appareil à l'extérieur.
18. Cet appareil est conçu pour un usage domestique.
19. Lisez attentivement ce mode d'emploi et le mode d'emploi du chargeur avant l'utilisation.
20. Cessez immédiatement l'utilisation si vous constatez une anomalie.
21. Si vous échappez ou heurtez l'appareil, vérifiez soigneusement l'absence de fissures ou de dommages avant l'utilisation.
22. N'approchez pas l'appareil des fours ou autres sources de chaleur.
23. Ne l'utilisez pas s'il a des pièces cassées, pliées, fissurées ou endommagées. Tout appareil qui semble endommagé de quelque façon que ce soit ou qui fonctionne anormalement doit être retiré du service immédiatement. Inspectez-le avant chaque utilisation.
24. Ne laissez pas l'appareil sous tension et sans surveillance.
25. Ne manipulez pas brutalement l'adaptateur secteur. N'utilisez jamais le cordon de l'adaptateur pour transporter l'appareil, et ne tirez jamais sur le cordon pour débrancher la fiche d'une prise de courant. Gardez l'adaptateur secteur à l'écart de la chaleur, de l'huile, des bords tranchants ou des pièces en mouvement. Remplacez immédiatement l'adaptateur s'il est endommagé. Un adaptateur endommagé peut faire augmenter le risque de décharge électrique.

Utilisation et entretien des outils alimentés par batterie

1. **Pour recharger, utilisez uniquement le chargeur spécifié par le fabricant.** L'utilisation d'un chargeur conçu pour un type donné de bloc-piles comporte un risque d'incendie lorsqu'il est utilisé avec un autre type de bloc-piles.
2. **N'utilisez un outil électrique qu'avec le bloc-piles conçu spécifiquement pour cet outil.** Il y a un risque de blessure ou d'incendie si un autre bloc-piles est utilisé.

3. **Lorsque vous n'utilisez pas le bloc-piles, rangez-le à l'écart des objets métalliques tels que trombones, pièces de monnaie, clés, clous, vis ou autres petits objets métalliques qui risqueraient d'établir une connexion entre les bornes.** La mise en court-circuit des bornes de batterie peut causer des brûlures ou un incendie.
4. **Dans des conditions d'utilisation inadéquates de la batterie, il peut y avoir fuite d'électrolyte; évitez tout contact avec ce liquide. En cas de contact accidentel, rincez avec beaucoup d'eau. Si le liquide pénètre dans vos yeux, il faut aussi consulter un médecin.** L'électrolyte qui s'échappe de la batterie peut causer des irritations ou des brûlures.
5. **N'utilisez pas une batterie ou un outil s'il est endommagé ou modifié.** Les batteries endommagées ou modifiées peuvent avoir un comportement imprévisible dont peut résulter un incendie, une explosion ou un risque de blessure.
6. **N'exposez pas une batterie ou un outil au feu ou à une température excessive.** L'exposition au feu ou à une température supérieure à 130 °C peut entraîner une explosion.
7. **Suivez toutes les instructions de charge et ne chargez pas la batterie ou l'outil à l'extérieur de la plage de température spécifiée dans les instructions.** Charger de manière inadéquate ou à des températures hors de la plage spécifiée peut endommager la batterie et augmenter le risque d'incendie.
5. Lorsque la batterie n'est pas utilisée, gardez-la à l'écart des autres objets métalliques. Un court-circuit entre les bornes de la batterie peut provoquer des étincelles, des brûlures ou un incendie.
6. Débranchez l'appareil et laissez-le refroidir avant d'effectuer toute procédure d'inspection, d'entretien, de nettoyage ou de rangement.
7. Ne laissez pas la familiarité avec les appareils vous rendre négligent. Rappelez-vous qu'une fraction de seconde d'inattention est suffisante pour infliger de graves blessures.
8. Placez toujours l'appareil sur une surface plane et stable. Si l'appareil tombe, il peut causer des blessures ou subir des dommages.
9. N'utilisez pas de batteries, pièces complémentaires ou accessoires non recommandés par le fabricant de cet appareil. L'utilisation de batteries, pièces complémentaires ou accessoires non recommandés peut entraîner une grave blessure.
10. Gardez les cheveux ou les vêtements amples tels que les écharpes à l'écart du ventilateur. Ils peuvent être happés par le ventilateur et entraîner une grave blessure.
11. Assurez-vous que l'interrupteur est sur la position d'arrêt avant de ramasser ou de transporter l'appareil. Transporter l'appareil avec le doigt sur l'interrupteur ouvre la porte aux accidents.
12. Ne modifiez pas ou n'essayez pas de réparer l'appareil ou la batterie autrement que comme indiqué dans les instructions d'utilisation et d'entretien.

LISEZ ET CONSERVEZ CES INSTRUCTIONS.

UTILISATION ET ENTRETIEN DU VENTILATEUR SANS FIL

1. Utilisez le ventilateur sans fil qui convient à votre application. N'utilisez pas le ventilateur dans un but pour lequel il n'est pas prévu.
2. Cet appareil peut fonctionner avec la batterie Li-ion Makita désignée dans la section « SPÉCIFICATIONS » du présent mode d'emploi, ou avec un adaptateur secteur. L'utilisation de toutes autres batteries peut présenter un risque d'incendie. Rechargez les batteries uniquement avec le chargeur spécifié. Un chargeur adéquat pour un certain type de batterie peut présenter un risque d'incendie s'il est utilisé avec une autre batterie.
3. Lorsque l'appareil n'est pas utilisé, rangez-le hors de portée des enfants et autres personnes non qualifiées.
4. Retirez la batterie et débranchez l'adaptateur secteur de la source d'alimentation avant de ranger l'appareil et d'effectuer les procédures d'inspection, d'entretien ou de nettoyage. De telles mesures de prévention peuvent réduire le risque de démarrage accidentel de l'appareil.

RÉPARATION

1. La réparation de cet appareil ne doit être effectuée que par le personnel de réparation qualifié. L'exécution des réparations ou de l'entretien par un personnel non qualifié peut entraîner un risque de blessure.
2. Pour réparer cet appareil, utilisez uniquement des pièces de rechange identiques aux pièces originales. L'utilisation de pièces non autorisées ou le non-respect des instructions d'entretien peut présenter un risque de décharge électrique ou de blessure.
3. N'incinérerez pas cet appareil, même s'il est gravement endommagé. Les batteries peuvent exploser dans le feu. Éliminez l'appareil conformément à la réglementation locale.

Symboles

Les symboles utilisés pour l'outil sont indiqués ci-dessous.

V	volts
A	ampères
— — —	courant continu

Consignes de sécurité importantes pour la batterie

- Avant d'utiliser la batterie, lisez toutes les instructions et les mises en garde apposées sur (1) le chargeur de batterie, (2) la batterie et (3) le produit utilisant la batterie.**
- Ne démontez pas et ne modifiez pas la batterie.** Cela peut entraîner un incendie, une chaleur excessive ou une explosion.
- Cessez immédiatement l'utilisation si le temps de fonctionnement devient excessivement court. Il y a risque de surchauffe, de brûlures, voire d'explosion.**
- Si l'électrolyte pénètre dans vos yeux, rincez-les à l'eau claire et consultez immédiatement un médecin. Il y a risque de perte de la vue.**
- Ne court-circuitez pas la batterie :**
 - Ne touchez les bornes avec aucun matériau conducteur.**
 - Évitez de ranger la batterie dans un conteneur avec d'autres objets métalliques tels que clous, pièces de monnaie, etc.**
 - Évitez d'exposer la batterie à l'eau ou à la pluie.**

Un court-circuit de la batterie pourrait provoquer un fort courant, une surchauffe, parfois des brûlures et même une panne.
- Ne rangez pas et n'utilisez pas l'outil ou la batterie dans des emplacements où la température peut atteindre ou dépasser 50 °C (122 °F).**
- Ne jetez pas la batterie au feu même si elle est sérieusement endommagée ou complètement épuisée. La batterie peut exploser au contact du feu.**
- Évitez de clouer, de couper, d'écraser, de lancer ou d'échapper la batterie, ou de heurter un objet dur contre la batterie.** Cela peut entraîner un incendie, une chaleur excessive ou une explosion.
- N'utilisez pas une batterie si elle est endommagée.**
- Les batteries lithium-ion fournies sont soumises aux exigences de la législation sur les marchandises dangereuses.**

Des exigences particulières sur l'emballage et l'étiquetage doivent être respectées lors du transport commercial par des tiers, des transitaires, etc. Pour préparer la marchandise à expédier, consultez un expert en matériaux dangereux si nécessaire. Respectez aussi les éventuelles réglementations nationales plus détaillées. Recouvrez de ruban isolant les contacts exposés, et emballez la batterie de sorte qu'elle ne puisse pas se déplacer à l'intérieur de l'emballage.
- Lors de l'élimination de la batterie, retirez-la de l'outil et éliminez-la dans un endroit sûr. Respectez la réglementation locale concernant l'élimination de la batterie.**
- N'utilisez les batteries qu'avec les produits spécifiés par Makita.** Installer les batteries sur des produits non conformes peut entraîner un incendie, une chaleur excessive, une explosion ou une fuite d'électrolyte.
- Si l'outil reste inutilisé pour une période prolongée, la batterie doit en être retirée.**
- Pendant et après l'utilisation, la batterie peut accumuler de la chaleur, ce qui peut causer des brûlures ou des brûlures à basse température. Faites attention lors de la manipulation des batteries chaudes.**
- Ne touchez pas la borne de l'outil immédiatement après l'utilisation, car elle peut être assez chaude pour causer des brûlures.**
- Ne laissez pas les copeaux, les poussières ou la terre se coincer dans les bornes, les trous et les rainures de la batterie.** Cela peut entraîner un fonctionnement médiocre ou une panne de l'outil ou de la batterie.
- À moins que l'outil ne soit compatible avec l'utilisation à proximité des lignes électriques haute tension, n'utilisez pas la batterie à proximité d'une ligne électrique haute tension.** Cela peut entraîner un dysfonctionnement ou une panne de l'outil ou de la batterie.
- Gardez la batterie à l'écart des enfants.**

CONSERVEZ CES INSTRUCTIONS.

⚠ ATTENTION : Utilisez exclusivement les batteries fabriquées par Makita. Les batteries autres que celles fabriquées par Makita ou les batteries modifiées peuvent exploser et causer un incendie, une blessure ou des dommages. Cela annule aussi la garantie Makita de l'outil et du chargeur Makita.

Conseils pour maintenir la durée de service maximale de la batterie

- Rechargez la batterie avant qu'elle ne soit complètement déchargée. Arrêtez toujours l'outil et rechargez la batterie quand vous remarquez que la puissance de l'outil diminue.**
- Ne rechargez jamais une batterie complètement chargée. La surcharge réduit la durée de service de la batterie.**
- Chargez la batterie à une température ambiante comprise entre 10 °C et 40 °C (50 °F et 104 °F). Si la batterie est chaude, laissez-la refroidir avant de la charger.**
- Lorsque vous n'utilisez pas la batterie, retirez-la de l'outil ou du chargeur.**
- Chargez la batterie si elle est restée inutilisée pendant une période prolongée (plus de six mois).**

SPÉCIFICATIONS

Ce ventilateur est doté de fonctions de commande à 3 vitesses, d'oscillation de la tête de ventilation et de minuterie d'arrêt automatique. Il peut être alimenté par une batterie ou un adaptateur secteur Makita.

Modèle :		DCF301
Tension nominale		C.C. 14,4 V / 18 V
Adaptateur secteur	Entrée	100 - 240 V, 50 / 60 Hz, 1,2 A max.
	Sortie	12 V, 3,5 A
Dimensions (L x P x H)		261 mm x 439 mm x 602 mm (10-1/4" x 17-1/4" x 23-3/4")
Poids net (sans batterie)		3,8 kg (8,4 lbs)

- Étant donné l'évolution constante de notre programme de recherche et développement, les spécifications contenues dans ce manuel sont sujettes à modification sans préavis.
- Les spécifications peuvent varier suivant les pays.

Batteries et chargeurs applicables

Batterie	Modèle C.C. 14,4 V	BL1430B
	Modèle C.C. 18 V	BL1815N / BL1820B / BL1830 / BL1830B / BL1840B / BL1850B / BL1860B
Chargeur		DC18RC / DC18RD / DC18RE / DC18SD / DC18SE / DC18SF / DC18SH

- Suivant la région où vous habitez, il se peut que certaines des batteries et certains des chargeurs énumérés ci-dessus ne soient pas disponibles.

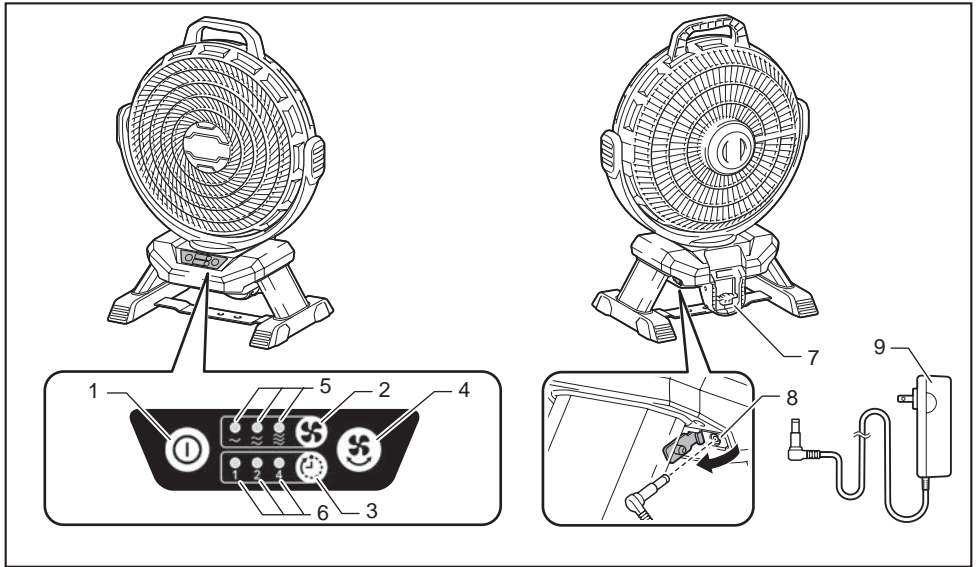
⚠ MISE EN GARDE : Utilisez exclusivement les batteries et chargeurs énumérés ci-dessus. L'utilisation de toute autre batterie ou tout autre chargeur peut entraîner une blessure et/ou un incendie.

Autonomie de la batterie

Le tableau suivant fait référence à quelques-unes des batteries Makita. L'estimation de l'autonomie d'une batterie pleinement chargée y est indiquée :

Batterie	Vitesse du vent		
	Élevée	Moyenne	Basse
BL1860B	215 min	430 min	850 min

DESCRIPTION DES PIÈCES



1	Bouton d'alimentation	2	Bouton de changement de vitesse	3	Bouton de minuterie d'arrêt automatique
4	Bouton d'oscillation	5	Indicateur de vitesse du vent	6	Indicateur de minuterie d'arrêt automatique
7	Fente de logement à batterie	8	12 V C.C.	9	Adaptateur secteur

DESCRIPTION DU FONCTIONNEMENT

⚠ ATTENTION : Assurez-vous toujours que l'appareil est éteint et que sa batterie est retirée avant de l'ajuster ou de vérifier son fonctionnement.

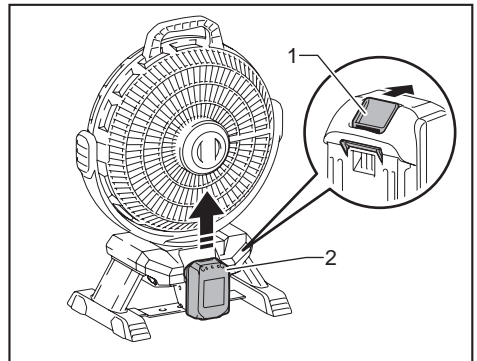
Installation ou retrait de la batterie

⚠ ATTENTION : Éteignez toujours l'appareil avant d'installer ou de retirer la batterie.

⚠ ATTENTION : Tenez fermement l'appareil et la batterie lors de l'installation ou du retrait de cette dernière. Sinon, l'appareil et la batterie pourraient vous glisser des mains, ce qui risque d'endommager l'appareil et la batterie, ou encore de provoquer des blessures.

Pour retirer la batterie, faites-la glisser de l'appareil tout en faisant glisser le bouton qui se trouve à l'avant de la batterie.

Pour installer la batterie, alignez la languette de la batterie sur la rainure du carter et glissez-la en place. Insérez-la à fond, jusqu'à ce qu'elle se verrouille en place avec un léger bruit sec.



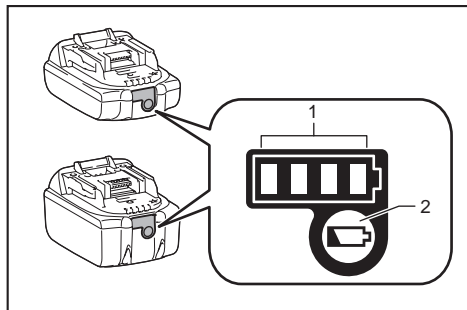
► 1. Bouton 2. Batterie

⚠ ATTENTION : Insérez toujours la batterie à fond. Autrement, elle risque de tomber accidentellement de l'appareil et d'entraîner des blessures.

⚠ ATTENTION : Ne forcez pas sur la batterie pour l'installer. Si la batterie ne glisse pas facilement, c'est qu'elle n'est pas insérée correctement.

Affichage de la charge restante de la batterie

Uniquement pour les batteries avec voyant



► 1. Témoins indicateurs 2. Bouton de vérification

Appuyez sur le bouton de vérification de la batterie pour afficher la charge restante de la batterie. Les témoins indicateurs s'allument pendant quelques secondes.

Témoins indicateurs			Charge restante
Allumé	Éteint	Clignotant	
■	□	◻	75 % à 100 %
■	■	□	50 % à 75 %
■	■	□	25 % à 50 %
■	□	□	0 % à 25 %
◻	□	□	Chargez la batterie.
■	■	□	La batterie a peut-être mal fonctionné.
□	□	■	

NOTE : Suivant les conditions d'utilisation et la température ambiante, il se peut que l'indication soit légèrement différente de la charge réelle.

NOTE : La première lampe témoin (à l'extrémité gauche) clignote lorsque le dispositif de protection de la batterie s'active.

Dispositif de protection de l'appareil et de la batterie

L'appareil est équipé d'un dispositif de protection. Ce dispositif coupe automatiquement l'alimentation du moteur pour prolonger la durée de service de l'appareil et de la batterie. L'appareil s'arrête automatiquement pendant l'utilisation lorsque l'appareil ou la batterie se trouve dans l'un des situations suivantes :

- Protection contre la surcharge : Lorsque l'appareil ou la batterie est utilisé d'une manière entraînant une consommation anormale de courant, il s'arrête automatiquement sans aucune indication. Le cas échéant, éteignez l'appareil et cessez l'application qui a causé la surcharge de l'appareil. Allumez ensuite l'appareil pour redémarrer.
- Protection contre la surchauffe : Lorsque l'appareil ou la batterie surchauffe, il s'arrête automatiquement. Laissez refroidir l'appareil avant de le rallumer.
- Protection contre la décharge excessive : Lorsque la charge de la batterie devient faible, l'appareil s'arrête automatiquement. Si l'appareil ne fonctionne pas même lorsque vous activez les interrupteurs, retirez la batterie de l'appareil et rechargez-la.

UTILISATION

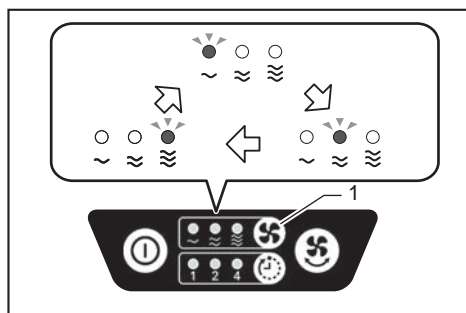
ATTENTION : Le ventilateur est fait en résine de polypropylène. Certains types d'agent huileux ou de produits chimiques qui détériorent la résine peuvent briser le ventilateur et causer des blessures.

Démarrage et arrêt du ventilateur

Appuyez sur le bouton d'alimentation pour allumer le ventilateur. Appuyez de nouveau sur le bouton d'alimentation pour éteindre le ventilateur.

Modification de la vitesse du vent

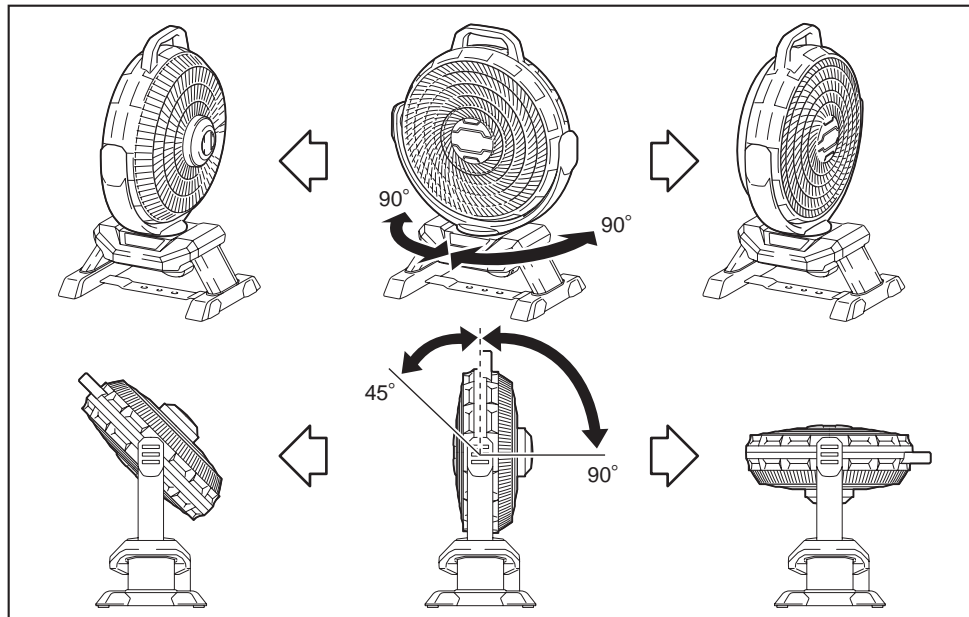
Appuyez sur le bouton de changement de vitesse du vent pendant que le ventilateur tourne. La vitesse du vent augmente à chaque pression sur le bouton. Si le ventilateur tourne à vitesse maximale au moment de la pression, il reviendra à la vitesse minimale. Le ventilateur sans fil démarre à la même vitesse que lors du réglage précédent.



► 1. Bouton de changement de vitesse du vent

Réglage de l'angle de la tête de ventilation

Vous pouvez régler manuellement l'angle de la tête de ventilation. La plage de réglage de la tête de ventilation est telle qu'indiquée sur la figure.



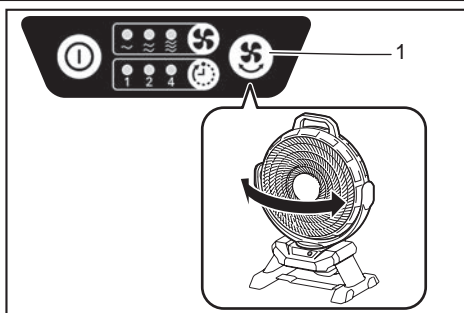
AVIS : Ne tournez pas la tête de ventilation au-delà de la plage de réglage.

Oscillation de la tête de ventilation

ATTENTION : Lorsque vous faites osciller la tête de ventilation, gardez les obstacles à l'écart de la plage de déplacement de la tête de ventilation. Autrement le ventilateur sans fil risque d'être poussé et de tomber pendant l'oscillation.

ATTENTION : N'arrêtez pas l'oscillation en retenant la tête de ventilation. Appuyez toujours sur le bouton d'oscillation pour l'arrêter.

Appuyez sur le bouton d'oscillation pour faire osciller la tête de ventilation. Appuyez de nouveau sur le bouton pour arrêter l'oscillation. Lorsque vous appuyez sur le bouton d'oscillation, la tête de ventilation se met à osciller à partir de sa position actuelle. La tête de ventilation oscille sur une plage de 90 degrés.

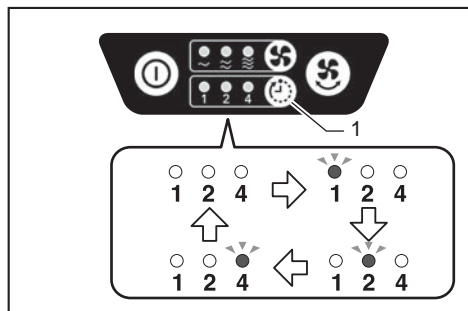


► 1. Bouton d'oscillation

NOTE : Suivant la position de la tête de ventilation, il se peut qu'elle n'oscille pas immédiatement après la pression sur le bouton d'oscillation en raison du mécanisme d'oscillation.

Minuterie d'arrêt automatique

Appuyez sur le bouton de minuterie d'arrêt automatique pendant que le ventilateur tourne. La durée d'activation de la minuterie d'arrêt automatique change à chaque pression sur le bouton (1 heure / 2 heures / 4 heures / désactivée). Le chiffre sous chaque indicateur de minuterie d'arrêt automatique indique le temps restant, en heures, avant l'arrêt du ventilateur. L'indicateur de minuterie d'arrêt automatique s'éteindra éventuellement.



► 1. Bouton de minuterie d'arrêt automatique

NOTE : Suivant le type de batterie et sa charge restante, il se peut que la minuterie d'arrêt automatique soit activée plus tôt que le temps spécifié.

Utilisation de l'adaptateur secteur

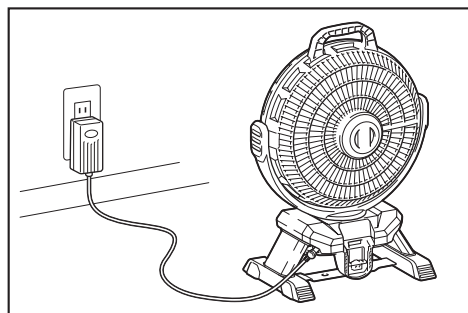
▲ MISE EN GARDE : N'utilisez jamais l'appareil si le cordon ou la fiche est endommagé.

▲ MISE EN GARDE : Ne manipulez pas la fiche avec une main mouillée ou grasseuse.

▲ MISE EN GARDE : Ne laissez pas l'adaptateur secteur débranché de l'appareil lorsqu'il est branché sur une prise de courant. Les jeunes enfants pourraient se blesser en mettant la fiche sous tension dans leur bouche.

▲ MISE EN GARDE : Ne mettez pas la fiche ou le cordon sous tension dans votre bouche. Cela peut provoquer une décharge électrique.

Insérez la fiche 12 V C.C. de l'adaptateur secteur dans la prise 12 V C.C. de l'appareil, puis branchez les lames de la fiche C.A. dans une prise de courant. Assurez-vous que la tension nominale de la prise de courant correspond à celle de l'adaptateur.



NOTE : Une fois l'adaptateur secteur branché, l'appareil peut prendre de 3 à 5 secondes pour démarrer.

NOTE : L'adaptateur peut grincer lorsqu'il est utilisé pour l'alimentation électrique. Cela n'affecte pas le fonctionnement normal.

NOTE : Même pendant l'utilisation en mode d'alimentation C.C., l'appareil passe automatiquement en mode d'alimentation C.A. lorsque vous le branchez.

NOTE : Lorsque le mode d'alimentation du ventilateur sans fil passe de C.C. à C.A. et vice-versa, la vitesse du vent peut changer temporairement.

NOTE : L'adaptateur secteur ne charge pas la batterie insérée dans l'appareil.

ENTRETIEN

▲ ATTENTION : Assurez-vous toujours que l'appareil est éteint et débranché, et que la batterie est retirée avant d'y effectuer tout travail d'inspection ou d'entretien.

AVIS : N'utilisez jamais d'essence, de benzine, de solvant, d'alcool ou autres produits similaires. Une décoloration, une déformation ou la formation de fissures peuvent en découler.

Pour maintenir la SÉCURITÉ et la FIABILITÉ du produit, les réparations et tout autre travail d'entretien ou de réglage doivent être effectués dans un centre de service après-vente autorisé ou une usine Makita, exclusivement avec des pièces de rechange Makita.

Entretien général

Une fois l'appareil refroidi, utilisez un linge propre pour enlever les saletés, les poussières, l'huile, la graisse, etc.

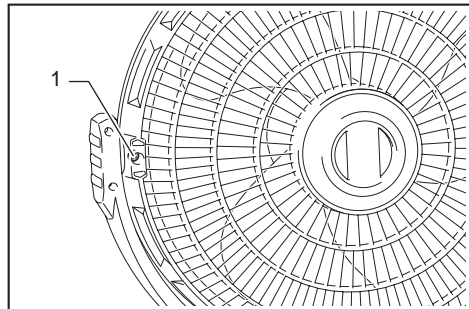
▲ MISE EN GARDE : Toutes les pièces devraient être remplacées dans un centre de service après-vente agréé.

Nettoyage du ventilateur

ATTENTION : Avant de retirer le protecteur, assurez-vous que le ventilateur est débranché de la prise de courant.

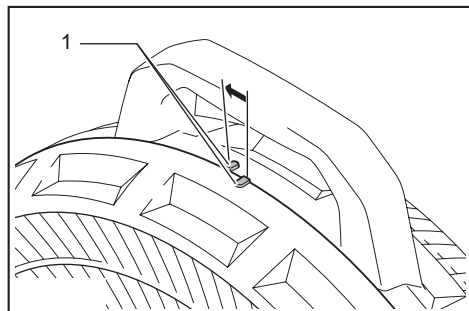
Lorsque vous nettoyez l'intérieur du couvercle de ventilateur, retirez-le en procédant comme suit.

1. Desserrez la vis qui se trouve au dos du couvercle de ventilateur.

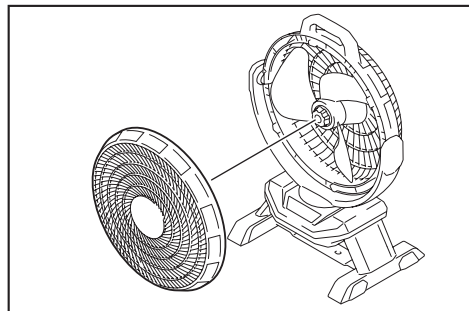


► 1. Vis

2. Tournez le couvercle de ventilateur dans le sens contraire des aiguilles d'une montre et retirez-le lorsque les marques sont alignées comme illustré.



► 1. Marque



Essayez le ventilateur et le couvercle de ventilateur à l'aide d'un linge imbibé d'eau savonneuse. Pour fixer le couvercle de ventilateur, effectuez la procédure inverse de celle du retrait. Lorsque vous fixez le couvercle de ventilateur, assurez-vous qu'il se verrouille avec un bruit de dé clic.

ATTENTION : Avant l'utilisation, assurez-vous toujours que le couvercle de ventilateur est fixé.

ATTENTION : Fixez fermement le couvercle de ventilateur. Si le couvercle de ventilateur n'est fixé qu'à moitié ou de manière incorrecte, il risque de se détacher et d'entraîner une blessure ou d'endommager l'appareil.

AVIS : Évitez d'appliquer une charge excessive sur le couvercle de ventilateur. Cela peut entraîner une rupture.

Rangement

Pour éviter tout risque d'incendie ou de brûlure, laissez refroidir l'appareil complètement avant de le ranger. Ne rangez pas la batterie déchargée pendant de longues périodes, car cela pourrait réduire sa durée de service.

ACCESSOIRES EN OPTION

ATTENTION : Ces accessoires ou pièces complémentaires sont recommandés pour l'utilisation avec l'appareil Makita spécifié dans ce manuel. L'utilisation de tout autre accessoire ou pièce complémentaire peut comporter un risque de blessure. N'utilisez les accessoires ou pièces complémentaires qu'aux fins auxquelles ils ont été conçus.

Si vous désirez obtenir plus de détails sur ces accessoires, veuillez contacter le centre de service après-vente Makita le plus près.

- Chargeur et batterie authentiques Makita

NOTE : Certains éléments de la liste peuvent être inclus avec l'outil comme accessoires standards. Ils peuvent varier suivant les pays.

GARANTIE LIMITÉE MAKITA

Pour les conditions de garantie en vigueur qui s'appliquent à ce produit, veuillez vous reporter à la feuille de garantie en annexe. Si la feuille de garantie en annexe n'est pas disponible, reportez-vous aux détails de la garantie présentés sur le site Web de votre pays, ci-dessous.

États-Unis d'Amérique: www.makitatools.com

Canada: www.makita.ca

Autres pays: www.makita.com

ADVERTENCIAS DE SEGURIDAD

Para evitar lesiones graves, por favor lea y comprenda todas las advertencias e instrucciones antes de usar el aparato.

Necesitará este manual para las advertencias y precauciones de seguridad, montaje, funcionamiento, inspección y los procedimientos de mantenimiento. Guarde este manual en un lugar seguro y seco para futuras consultas.

INSTRUCCIONES IMPORTANTES DE SEGURIDAD

Al usar cualquier aparato eléctrico, siempre deben seguirse las precauciones básicas, incluyendo las siguientes:

LEA TODAS LAS INSTRUCCIONES ANTES DE USAR EL APARATO.

ADVERTENCIA

Para reducir el riesgo de incendio, descarga eléctrica o lesión:

1. No lo exponga a la lluvia. Almacénelo en interiores.
2. No permita que sea utilizado como un juguete. Preste mucha atención cuando sea utilizado por niños o cerca de ellos.
3. Utilícelo solamente como se describe en este manual. Sólo use aditamentos recomendados por el fabricante.
4. No lo utilice con una batería dañada. Si el aparato no está funcionando como debiera, porque se ha dejado caer, se ha dañado, se ha dejado a la intemperie o ha caído sobre agua, llévelo a nuestro centro de servicio.
5. No manipule el aparato con las manos mojadas.
6. No introduzca ningún objeto en las aberturas.
7. Mantenga el cabello, la ropa holgada, los dedos y todas las partes del cuerpo lejos de las aberturas y piezas móviles.
8. Apague todos los controles antes de retirar la batería.
9. Utilice únicamente el adaptador de CA y el cargador suministrados por el fabricante. Los accesorios que puedan ser adecuados para el aparato podrían ser peligrosos cuando se utilizan en otros.
10. No cargue la batería en exteriores.
11. Este aparato no está diseñado para ser utilizado por personas (incluidos niños) con capacidades físicas, sensoriales o mentales reducidas o con falta de experiencia y conocimientos, a no ser que una persona responsable de su seguridad les supervise o les enseñe el uso seguro del aparato.

12. Hay que asegurarse de que los niños no jueguen con el aparato.
13. No exponga el aparato al fuego o a temperaturas altas.
14. No lo utilice cerca de llamas abiertas, brasas o de atmósferas explosivas, tal como en la presencia de líquidos, gases o polvo inflamables. El aparato crea chispas que pueden prender fuego al polvo o los humos.
15. Para reducir el riesgo de incendio o de choque eléctrico, no utilice este ventilador con ningún dispositivo de control de velocidad de estado sólido.
16. Nunca use el aparato en lugares húmedos, como en un baño.
17. Este aparato es para uso en interiores únicamente. Nunca use el aparato en exteriores.
18. Este aparato está diseñado para un uso doméstico.
19. Lea cuidadosamente este manual de instrucciones y el manual de instrucciones del cargador antes de usar el aparato.
20. Pare la operación inmediatamente si nota algo anormal.
21. Si deja caer o golpea el aparato, verifique cuidadosamente si hay grietas o daños antes de la operación.
22. No acerque el aparato a estufas o a otras fuentes de calor.
23. No lo use si hay piezas rotas, dobladas, agrietadas o dañadas. Cualquier aparato que parezca estar dañado de alguna manera o funcione anormalmente debe ser retirado del servicio inmediatamente. Inspeccione el aparato antes de cada operación.
24. No deje el aparato encendido y desatendido.
25. No abuse del adaptador de CA. Nunca use el cable del adaptador para transportar el aparato o tire de la clavija de una toma de corriente. Mantenga el adaptador de CA alejado del calor, el aceite, los bordes filosos o las piezas móviles. Reemplace el adaptador dañado inmediatamente. El adaptador dañado puede aumentar el riesgo de choque eléctrico.

Uso y cuidado de la herramienta a batería

1. **Recargue sólo con el cargador especificado por el fabricante.** Un cargador que es adecuado para un solo tipo de batería puede generar riesgo de incendio al ser utilizado con otra batería.
2. **Utilice las herramientas eléctricas solamente con las baterías designadas específicamente para ellas.** La utilización de cualquier otra batería puede crear un riesgo de lesiones o incendio.
3. **Cuando no se esté usando la batería, manténgala alejada de otros objetos metálicos, como sujetapapeles (clips), monedas, llaves, clavos, tornillos u otros objetos pequeños de metal los cuales pueden actuar creando una conexión entre las terminales de la batería.** Originar un cortocircuito en las terminales puede causar quemaduras o incendios.

4. **En condiciones abusivas, podrá escapar líquido de la batería; evite tocarlo. Si lo toca accidentalmente, enjuague con agua. Si hay contacto del líquido con los ojos, busque asistencia médica.** Puede que el líquido expulsado de la batería cause irritación o quemaduras.
5. **No utilice una herramienta ni una batería que estén dañadas o hayan sido modificadas.** Las baterías dañadas o modificadas podrían ocasionar una situación inesperada provocando un incendio, explosión o riesgo de lesiones.
6. **No exponga la herramienta ni la batería al fuego ni a una temperatura excesiva.** La exposición al fuego o a una temperatura superior a los 130 °C podría causar una explosión.
7. **Siga todas las instrucciones para la carga y evite cargar la herramienta o la batería fuera del rango de temperatura especificado en las instrucciones.** Una carga inadecuada o a una temperatura fuera del rango especificado podría dañar la batería e incrementar el riesgo de incendio.
6. Desenchufe la unidad y deje que se enfríe antes de realizar cualquier procedimiento de inspección, mantenimiento, de limpieza o almacenamiento.
7. No permita que el conocer los aparatos le haga cometer un descuido. Recuerde que una fracción de segundo de descuido es suficiente para infligir lesiones graves.
8. Coloque siempre el aparato sobre una superficie nivelada y estable. Si el aparato se cae, puede causar lesiones personales o daños al aparato.
9. No utilice baterías, aditamentos o accesorios no recomendados por el fabricante de este aparato. El uso de baterías, aditamentos o accesorios no recomendados puede provocar lesiones personales graves.
10. Mantenga el cabello o prendas sueltas, tal como una bufanda, lejos del ventilador. Podría quedar atrapada en el ventilador y causarle una lesión personal.
11. Asegúrese de que el interruptor esté en la posición apagada antes de levantar el aparato o cargarlo. Cargar el aparato con su dedo en el interruptor puede provocar accidentes.
12. No modifique ni intente reparar el aparato ni el cartucho de la batería, salvo como se indique en las instrucciones para el uso y cuidado.

LEA Y GUARDE ESTAS INSTRUCCIONES.

USO Y CUIDADO DEL VENTILADOR INALÁMBRICO

1. Utilice el ventilador inalámbrico correcto para su aplicación. No utilice el ventilador para un propósito que no sea para el que fue diseñado.
2. El aparato puede funcionar con el cartucho de la batería de iones de litio (Li-Ion) de Makita, designado en la sección "ESPECIFICACIONES" en este manual de instrucciones o adaptador de CA. El uso de cualquier otro tipo de baterías podría generar un riesgo de incendio. Recargue las baterías únicamente con el cargador especificado. Un cargador que sea adecuado para un tipo de batería puede generar un riesgo de incendio al usarse con una batería distinta.
3. Almacene el aparato cuando no se vaya a utilizar fuera del alcance de los niños y otras personas no capacitadas.
4. Desconecte el cartucho de la batería y el adaptador de CA de la fuente de alimentación antes de guardar el aparato, de realizar cualquier procedimiento de inspección, mantenimiento o de limpieza. Tales medidas de seguridad preventivas pueden reducir el riesgo de que el aparato sea puesto en marcha accidentalmente.
5. Cuando el cartucho de la batería no esté en uso, manténgalo alejado de otros objetos metálicos. Causar un cortocircuito en las terminales de la batería podría causar chispas, quemaduras o un incendio.

SERVICIO

1. El servicio a este aparato solamente deberá ser realizado por personal de reparaciones calificado. El servicio o mantenimiento realizados por personal no calificado podría ocasionar un riesgo de lesiones.
2. Cuando se dé servicio a este aparato, utilice únicamente piezas de repuesto idénticas. El uso de piezas no autorizadas o el no seguir las instrucciones de mantenimiento podría crear riesgo de choque eléctrico o lesiones.
3. Nunca incinere este aparato, incluso en el caso de que esté dañado seriamente. Las baterías pueden explotar si se tiran al fuego. Deshágase del aparato de conformidad con las reglamentaciones locales.

Símbolos

A continuación se muestran los símbolos utilizados para la herramienta.

V	volts o voltios
A	amperes
— — —	corriente directa o continua

Instrucciones importantes de seguridad para el cartucho de batería

1. Antes de utilizar el cartucho de batería, lea todas las instrucciones e indicaciones de precaución en el (1) el cargador de batería, (2) la batería, y (3) el producto con el que se utiliza la batería.
2. No desarme ni modifique el cartucho de batería. Podría ocurrir un incendio, calor excesivo o una explosión.
3. Si el tiempo de operación se ha acortado en exceso, deje de operar de inmediato. Podría correrse el riesgo de sobrecalentamiento, posibles quemaduras e incluso explosión.
4. En caso de que ingresen electrolitos en sus ojos, enjuáguelos bien con agua limpia y consulte de inmediato a un médico. Esto podría ocasionar pérdida de visión.
5. Evite cortocircuitar el cartucho de batería:
 - (1) No toque las terminales con ningún material conductor.
 - (2) Evite guardar el cartucho de batería en un cajón junto con otros objetos metálicos, tales como clavos, monedas, etc.
 - (3) No exponga el cartucho de batería al agua o la lluvia.

Un cortocircuito en la batería puede causar un flujo grande de corriente, sobrecalentamiento, posibles quemaduras e incluso una descompostura.

6. No guarde ni utilice la herramienta y el cartucho de batería en lugares donde la temperatura pueda alcanzar o exceder los 50 °C (122 °F).
7. Nunca incinere el cartucho de batería incluso en el caso de que esté dañado seriamente o ya no sirva en absoluto. El cartucho de batería puede explotar si se tira al fuego.
8. No clave, corte, aplaste, lance o deje caer el cartucho de batería, ni golpee un objeto sólido contra el cartucho de batería. Dicha acción podría resultar en un incendio, calor excesivo o en una explosión.
9. No use una batería dañada.
10. Las baterías de ión de litio están sujetas a los requisitos reglamentarios en materia de bienes peligrosos.

Para el transporte comercial, por ej., mediante terceros o agentes de transporte, se deben tomar en cuenta los requisitos especiales relativos al empaque y el etiquetado.
Para efectuar los preparativos del artículo que se va a enviar, se requiere consultar a un experto en materiales peligrosos. Si es posible, consulte además otras regulaciones nacionales más detalladas.
Pegue o cubra con cinta adhesiva los contactos abiertos y empaque la batería de manera que ésta no pueda moverse dentro del paquete.
11. Para deshacerse del cartucho de batería, sáquelo de la herramienta y deséchelo en un lugar seguro. Siga las regulaciones locales relacionadas al desecho de las baterías.

12. Utilice las baterías únicamente con los productos especificados por Makita. Instalar las baterías en productos que no cumplan con los requisitos podría ocasionar un incendio, un calentamiento excesivo, una explosión o una fuga de electrolito.
13. Si no se utiliza la herramienta por un período largo, debe extraerse la batería de la herramienta.
14. El cartucho de batería podría absorber calor durante y después de su uso, lo que ocasionaría quemaduras o quemaduras a baja temperatura. Tenga cuidado con la manipulación de los cartuchos de batería que estén calientes.
15. No toque el terminal de la herramienta inmediatamente después de su uso, ya que el mismo podría estar lo suficientemente caliente como para provocarle quemaduras.
16. No permita que las rebabas, el polvo o la tierra queden atrapados en los terminales, orificios y ranuras del cartucho de batería. Esto podría ocasionar un desempeño deficiente o descompostura de la herramienta o del cartucho de batería.
17. No utilice el cartucho de batería cerca de cables eléctricos de alto voltaje, a menos que la herramienta sea compatible con el uso cercano a estos cables eléctricos de alto voltaje. Esto podría ocasionar una avería o descompostura de la herramienta o del cartucho de batería.
18. Mantenga la batería alejada de los niños.

GUARDE ESTAS INSTRUCCIONES.

⚠PRECAUCIÓN: Utilice únicamente baterías originales de Makita. El uso de baterías no originales de Makita, o de baterías alteradas, puede ocasionar que las baterías exploten causando un incendio, lesiones personales y daños. Asimismo, esto invalidará la garantía de Makita para la herramienta y el cargador Makita.

Consejos para alargar al máximo la vida útil de la batería

1. Cargue el cartucho de batería antes de que se descargue completamente. Pare siempre la operación y cargue el cartucho de batería cuando note menos potencia en la herramienta.
2. No cargue nunca un cartucho de batería que esté completamente cargado. La sobrecarga acortará la vida de servicio de la batería.
3. Cargue el cartucho de batería a una temperatura ambiente de 10 °C - 40 °C (50 °F - 104 °F). Si un cartucho de batería está caliente, déjelo enfriar antes de cargarlo.
4. Cuando no utilice el cartucho de batería, sáquelo de la herramienta o del cargador.
5. Cargue el cartucho de batería si no va a utilizarlo durante un período prolongado (más de seis meses).

ESPECIFICACIONES

Este ventilador está equipado con las siguientes funciones: control de 3 velocidades, oscilación de la cabeza del ventilador y temporizador para apagado automático. La fuente de alimentación puede ser el cartucho de la batería o el adaptador de CA de Makita.

Modelo:		DCF301
Tensión nominal		c.c. 14,4 V / 18 V
Adaptador de CA	Entrada	100 V - 240 V, 50 Hz / 60 Hz, 1,2 A máx.
	Salida	12 V, 3,5 A
Dimensiones (La x An x Al)		261 mm x 439 mm x 602 mm (10-1/4" x 17-1/4" x 23-3/4")
Peso neto (sin cartucho de la batería)		3,8 kg (8,4 lbs)

- Debido a nuestro continuo programa de investigación y desarrollo, las especificaciones aquí incluidas están sujetas a cambio sin previo aviso.
- Las especificaciones pueden variar de país a país.

Cartucho de batería y cargador aplicables

Cartucho de batería	Modelo de 14,4 V c.c.	BL1430B
	Modelo de 18 V c.c.	BL1815N / BL1820B / BL1830 / BL1830B / BL1840B / BL1850B / BL1860B
Cargador		DC18RC / DC18RD / DC18RE / DC18SD / DC18SE / DC18SF / DC18SH

- Algunos de los cartuchos de batería y cargadores enumerados arriba podrían no estar disponibles dependiendo de su área de residencia.

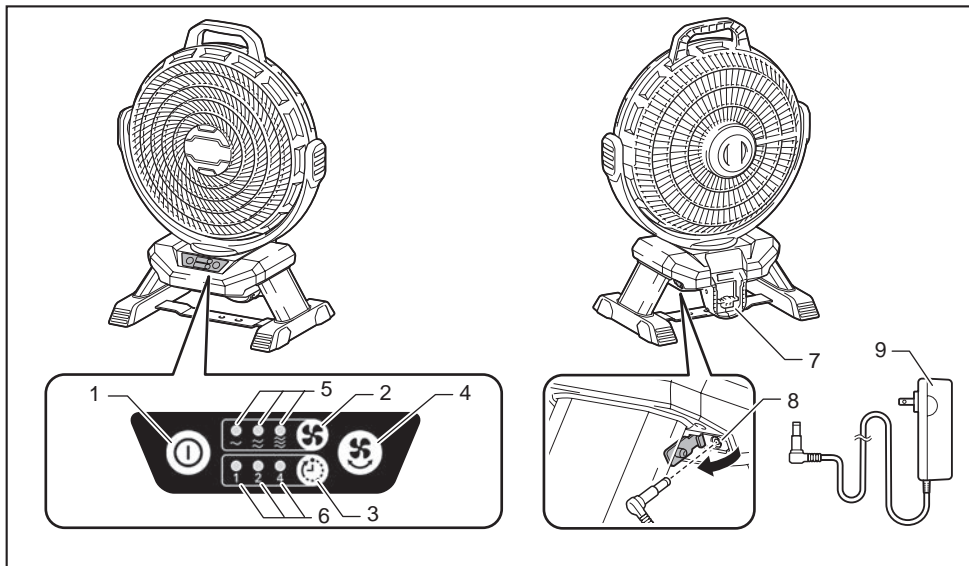
⚠ ADVERTENCIA: Use únicamente los cartuchos de batería y los cargadores indicados arriba. El uso de cualquier otro cartucho de batería y cargador podría ocasionar una lesión y/o un incendio.

Tiempo de funcionamiento de la batería

La tabla a continuación se refiere a algunos cartuchos de batería de Makita. Se muestra el tiempo calculado de funcionamiento de la batería cargada completamente:

Cartucho de batería	Velocidad del viento		
	Alta	Media	Baja
BL1860B	215 min	430 min	850 min

DESCRIPCIÓN DE LAS PIEZAS



1	Botón de interruptor de alimentación	2	Botón de cambio de velocidad del viento	3	Botón de temporizador para apagado automático
4	Botón de oscilación	5	Indicador de velocidad del viento	6	Indicador de temporizador para apagado automático
7	Ranura para batería	8	Toma de corriente de 12 V c.c.	9	Adaptador de CA

DESCRIPCIÓN DEL FUNCIONAMIENTO

⚠ PRECAUCIÓN: Asegúrese siempre de que el aparato esté apagado y que el cartucho de la batería haya sido extraído antes de realizar cualquier ajuste o revisión del funcionamiento del aparato.

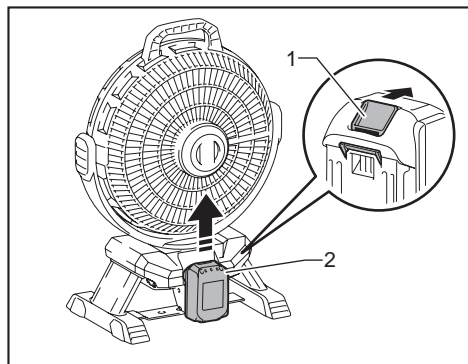
Instalación o extracción del cartucho de batería

⚠ PRECAUCIÓN: Apague siempre el aparato antes de instalar o extraer el cartucho de la batería.

⚠ PRECAUCIÓN: Sujete el aparato y el cartucho de la batería con firmeza al colocar o quitar el cartucho de la batería. Si no se sujeta con firmeza el aparato y el cartucho de la batería, puede ocasionar que se resbalen de sus manos resultando en daños al aparato y al cartucho de la batería, así como lesiones a la persona.

Para quitar el cartucho de batería, deslícelo del aparato mientras desliza el botón sobre la parte delantera del cartucho.

Para instalar el cartucho de batería, alinee la lengüeta sobre el cartucho de batería con la ranura en la carcasa y deslícela hasta su lugar. Insértelo por completo hasta que se fije en su lugar con un pequeño clic.



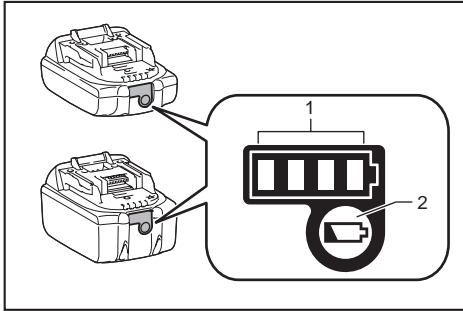
► 1. Botón 2. Cartucho de batería

⚠️ PRECAUCIÓN: Instale siempre el cartucho de batería por completo. De no hacerlo, éste podría caerse accidentalmente del aparato, ocasionándole lesiones a usted o a alguien cerca de usted.

⚠️ PRECAUCIÓN: No instale el cartucho de batería a la fuerza. Si el cartucho no se desliza al interior fácilmente, se debe a que no está siendo insertado correctamente.

Indicación de la capacidad restante de la batería

Únicamente para cartuchos de batería con el indicador



► 1. Luces indicadoras 2. Botón de verificación

Oprima el botón de verificación en el cartucho de la batería para que indique la capacidad restante de la batería. Las luces indicadoras se iluminarán por algunos segundos.

Luces indicadoras			Capacidad restante
Iluminadas	Apagadas	Parpadeando	
■ ■ ■ ■ ■			75% a 100%
■ ■ ■ ■ □			50% a 75%
■ ■ □ □ □			25% a 50%
■ □ □ □ □			0% a 25%
▬ □ □ □ □			Cargar la batería.
■ ■ □ □ □			La batería pudo haber funcionado mal.
□ □ ■ ■ ■	↑ ↓		

NOTA: Dependiendo de las condiciones de uso y la temperatura ambiente, la indicación podrá diferir ligeramente de la capacidad real.

NOTA: La primera luz indicadora (extrema izquierda) parpadeará cuando el sistema de protección de batería esté en funcionamiento.

Sistema de protección del aparato/batería

El aparato está equipado con el sistema de protección. Este sistema corta automáticamente la alimentación al motor para prolongar la vida del aparato y la batería. El aparato se detendrá automáticamente durante la operación si el aparato o la batería se someten a una de las siguientes condiciones.

- Protección contra sobrecarga: Cuando el aparato o la batería se están utilizando de manera que causa que consuma una cantidad de corriente inusualmente alta, el aparato se detiene automáticamente sin que haya indicación alguna. En esta situación, apague el aparato y detenga la aplicación que haya causado que el aparato se sobrecargara. Luego, encienda el aparato para volver a arrancarlo.
- Protección contra sobrecalentamiento: Cuando el aparato o la batería se sobrecalienten, el aparato se detiene automáticamente. Deje que el aparato se enfríe antes de volverlo a encender.
- Protección contra descarga excesiva: Cuando la capacidad de la batería es baja, el aparato se detiene automáticamente. Si el aparato no funciona incluso cuando los interruptores están siendo operados, retire el cartucho de batería del aparato y cárguelo.

OPERACIÓN

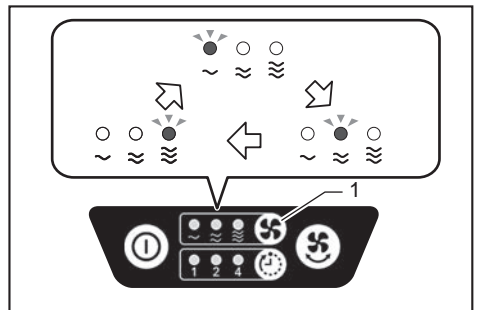
⚠️ PRECAUCIÓN: El ventilador está hecho de resina de polipropileno. Algún tipo de agente de aceite o productos químicos que deterioran la resina podría romper el ventilador y causar lesiones.

Puesta en marcha/paro del ventilador

Oprima el botón de interruptor de alimentación para encender el ventilador. Oprima el botón de interruptor de alimentación nuevamente para apagar el ventilador.

Cambio de la velocidad del viento

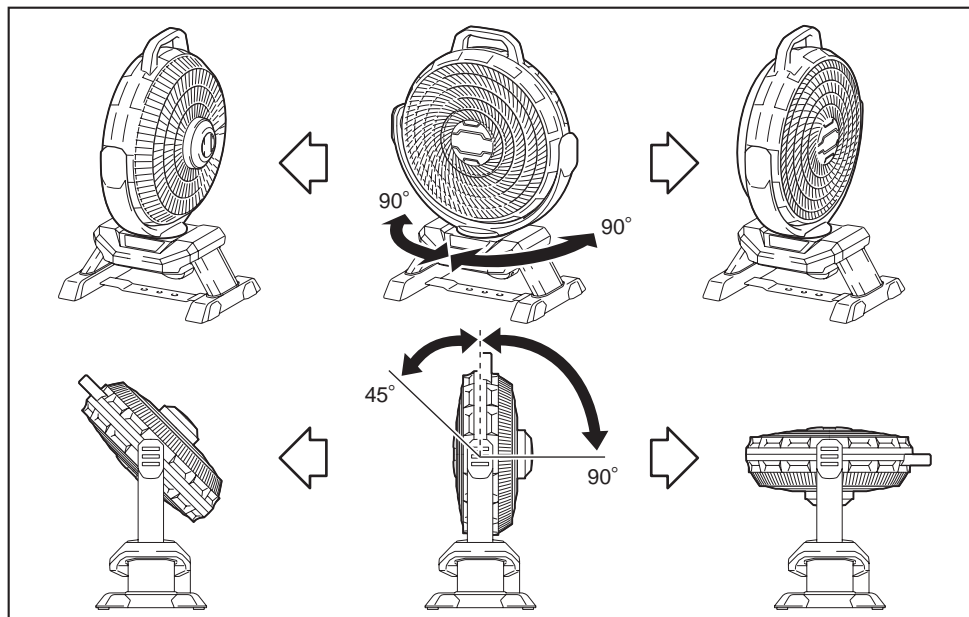
Oprima el botón de cambio de velocidad del viento mientras el ventilador está en marcha. La velocidad del viento aumenta cada vez que presiona el botón. La velocidad del viento volverá a la velocidad más baja cuando funcione en la velocidad más alta. El ventilador inalámbrico comenzará a la misma velocidad que la configuración anterior.



► 1. Botón de cambio de velocidad del viento

Ajuste del ángulo de la cabeza del ventilador

El ángulo de la cabeza del ventilador puede ajustarse de forma manual. El rango ajustable de la cabeza del ventilador es tal como se muestra en la ilustración.



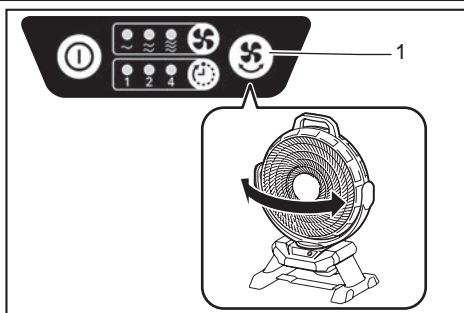
AVISO: No gire la cabeza del ventilador más allá del rango ajustable.

Oscilación de la cabeza del ventilador

⚠PRECAUCIÓN: Cuando la cabeza del ventilador haga el movimiento de oscilación, mantenga los obstáculos alejados del rango de movimiento de la cabeza del ventilador. El ventilador inalámbrico podría ser empujado y caer por la oscilación.

⚠PRECAUCIÓN: No detenga la oscilación al sostener la cabeza del ventilador. Oprima siempre el botón de oscilación para parar la cabeza del ventilador.

Oprima el botón de oscilación para hacer oscilar la cabeza del ventilador. Oprima el botón nuevamente para detener la oscilación. La cabeza del ventilador comienza a oscilar desde la posición actual cuando se presiona el botón de oscilación. La cabeza del ventilador oscila en el rango de 90 grados.

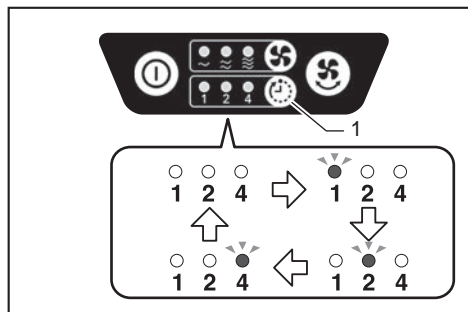


► 1. Botón de oscilación

NOTA: Dependiendo de la posición de la cabeza del ventilador, es posible que la cabeza del ventilador no oscile pronto después de presionar el botón de oscilación, debido al mecanismo de oscilación.

Temporizador para apagado automático

Oprima el botón de temporizador para apagado automático mientras el ventilador está en marcha. La duración para activar el temporizador para apagado automático cambia cada vez que presiona el botón (1 hora / 2 horas / 4 horas / apagado). El número debajo de cada indicador del temporizador para apagado automático muestra la(s) hora(s) restante(s) para apagar el ventilador. El indicador de temporizador para apagado automático se apagará con el paso del tiempo.



▶ 1. Botón de temporizador para apagado automático

NOTA: Dependiendo del tipo de cartucho de la batería y su capacidad restante, el temporizador para apagado automático puede activarse antes del tiempo establecido.

Uso del adaptador de CA

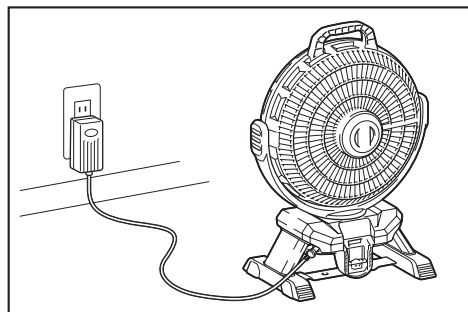
⚠ ADVERTENCIA: Nunca utilice el aparato cuando el cable o la clavija están dañados.

⚠ ADVERTENCIA: No manipule la clavija con las manos húmedas o manchadas de grasa.

⚠ ADVERTENCIA: No deje el adaptador de CA desconectado del aparato mientras se esté suministrando energía desde la toma eléctrica. Los niños pequeños podrían introducir la clavija con corriente en su boca y sufrir alguna lesión.

⚠ ADVERTENCIA: No se meta a la boca el cable o la clavija cuando tengan aún corriente. El hacerlo podría ocasionar una descarga eléctrica.

Inserte la clavija de CC de 12 V del adaptador de CA en la toma de corriente de CC de 12 V, y luego enchufe las puntas de CA en la fuente de alimentación principal. Asegúrese de que la tensión nominal de la fuente de alimentación principal corresponda con la del adaptador.



NOTA: Después de conectar el adaptador de CA, el aparato puede tardar entre 3 y 5 segundos en iniciarse.

NOTA: El adaptador podría crujir mientras lo usa para la fuente de alimentación. Esto no afecta el uso normal.

NOTA: Incluso mientras funciona en modo de alimentación de CC, el aparato cambia automáticamente al modo de alimentación de CA cuando está enchufado.

NOTA: Cuando el ventilador inalámbrico cambia el modo de alimentación de C.C. a C.A. y viceversa, la velocidad del viento puede cambiar temporalmente.

NOTA: El adaptador de CA no carga la batería insertada en el aparato.

MANTENIMIENTO

⚠ PRECAUCIÓN: Asegúrese siempre de que el aparato haya sido apagado y desconectado, y que el cartucho de batería haya sido extraído antes de intentar realizar una inspección o tarea de mantenimiento.

AVISO: Nunca use gasolina, bencina, diluyente (tíner), alcohol o sustancias similares. Puede que esto ocasione grietas o descoloramiento.

Para mantener la SEGURIDAD y FIABILIDAD del producto, las reparaciones, y cualquier otra tarea de mantenimiento o ajuste deberán ser realizadas en centros de servicio autorizados o de fábrica Makita, empleando siempre repuestos Makita.

Mantenimiento en general

Una vez que se enfría el aparato, utilice paños limpios para eliminar la suciedad, el polvo, el aceite, la grasa, etc.

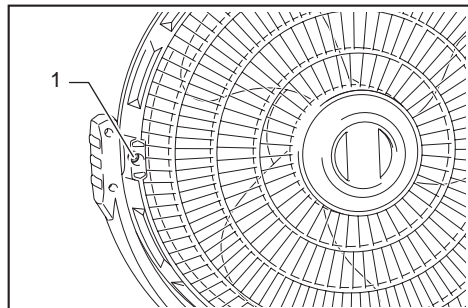
⚠ ADVERTENCIA: Todas las piezas deberán ser reemplazadas en un Centro de servicio autorizado.

Limpieza del ventilador

PRECAUCIÓN: Asegúrese de que el ventilador esté desactivado de la red eléctrica antes de retirar la protección.

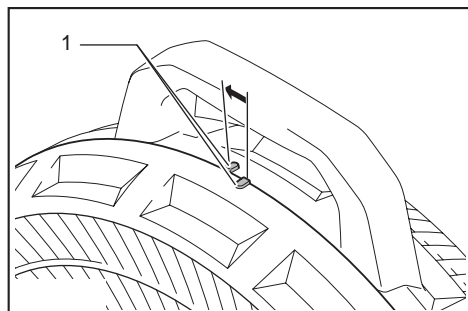
Cuando limpie el interior de la cubierta del ventilador, retírela de la siguiente manera.

1. Afloje el tornillo ubicado en la parte trasera de la cubierta del ventilador.

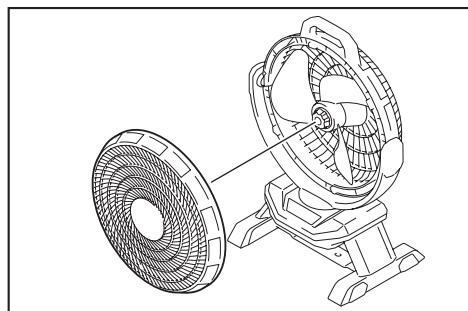


- 1. Tornillo

2. Gire la cubierta del ventilador hacia la izquierda y retírela cuando las marcas estén alineadas como se ilustra.



- 1. Marca



Limpie el ventilador y la cubierta del ventilador con un paño humedecido en agua jabonosa. Para fijar la cubierta del ventilador, siga el procedimiento de remoción en orden inverso. Al fijar la cubierta del ventilador, asegúrese de que la cubierta del ventilador esté asegurada con un clic.

PRECAUCIÓN: Asegúrese siempre de que la cubierta del ventilador quede asegurada antes de su uso.

PRECAUCIÓN: Fije la cubierta del ventilador firmemente. Si la cubierta del ventilador está colocada a medias o de manera incorrecta, puede desprenderse y provocar lesiones personales o daños en el aparato.

AVISO: Evite aplicar demasiada carga en la cubierta del ventilador. Esto podría provocar una rotura.

Almacenamiento

Para evitar incendios o quemaduras, deje que el aparato se enfríe completamente antes de guardarlo. No guarde la batería descargada durante períodos prolongados, ya que puede acortar su vida útil.

ACCESORIOS OPCIONALES

PRECAUCIÓN: Estos accesorios o aditamentos están recomendados para utilizarse con su aparato Makita especificado en este manual. El uso de cualquier otro accesorio o aditamento puede ocasionar riesgo de lesiones personales. Use los accesorios o aditamentos sólo para los propósitos para los que fueron diseñados.

Si necesita cualquier ayuda para más detalles en relación con estos accesorios, pregunte a su centro de servicio local Makita.

- Batería y cargador originales de Makita

NOTA: Algunos de los artículos en la lista pueden incluirse en el paquete de la herramienta como accesorios estándar. Estos pueden variar de país a país.

GARANTÍA LIMITADA DE MAKITA

Ésta Garantía no aplica para México

Consulte la hoja de la garantía anexa para ver los términos más vigentes de la garantía aplicable a este producto. En caso de no disponer de esta hoja de garantía anexa, consulte los detalles sobre la garantía descritos en el sitio web de su país respectivo indicado a continuación.

Estados Unidos de América: www.makitatools.com

Canadá: www.makita.ca

Otros países: www.makita.com

< USA only >

WARNING

Some dust created by power sanding, sawing, grinding, drilling, and other construction activities contains chemicals known to the State of California to cause cancer, birth defects or other reproductive harm. Some examples of these chemicals are:

- lead from lead-based paints,
- crystalline silica from bricks and cement and other masonry products, and
- arsenic and chromium from chemically-treated lumber.

Your risk from these exposures varies, depending on how often you do this type of work. To reduce your exposure to these chemicals: work in a well ventilated area, and work with approved safety equipment, such as those dust masks that are specially designed to filter out microscopic particles.

< Sólo en los Estados Unidos >

ADVERTENCIA

Algunos polvos creados por el lijado, aserrado, esmerilado, taladrado y otras actividades de la construcción contienen sustancias químicas reconocidas por el Estado de California como causantes de cáncer, defectos de nacimiento y otros peligros de reproducción. Algunos ejemplos de estos productos químicos son:

- plomo de pinturas a base de plomo,
- sílice cristalino de ladrillos y cemento y otros productos de albañilería, y
- arsénico y cromo de maderas tratadas químicamente.

El riesgo al que se expone varía, dependiendo de la frecuencia con la que realice este tipo de trabajo. Para reducir la exposición a estos productos químicos: trabaje en un área bien ventilada y póngase el equipo de seguridad indicado, tal como las máscaras contra polvo que están especialmente diseñadas para filtrar partículas microscópicas.

Makita Corporation

3-11-8, Sumiyoshi-cho,
Anjo, Aichi 446-8502 Japan

www.makita.com

DCF301-NA3-2012
DCF301-1
EN, FRCA, ESMX
20210202