



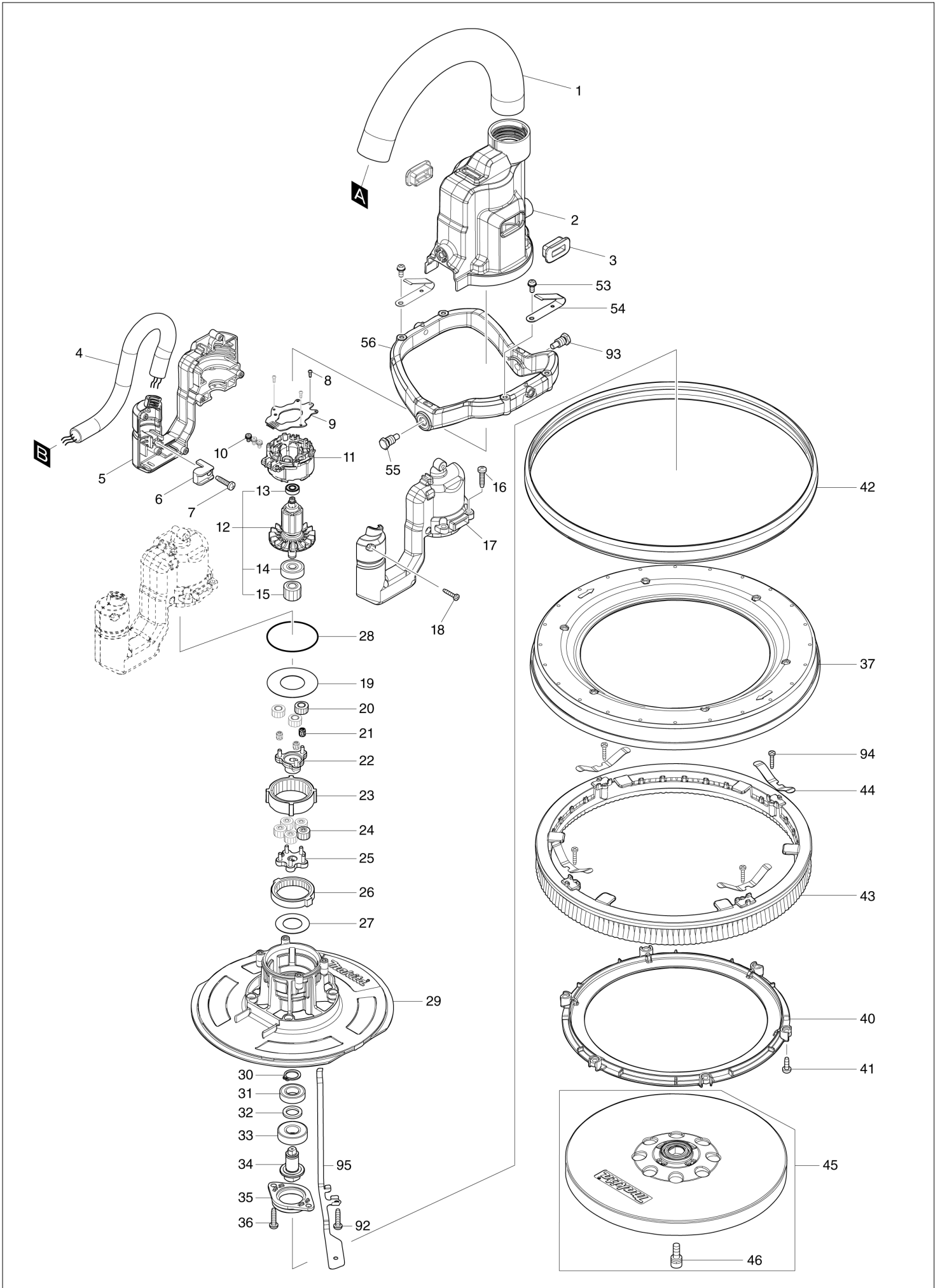
| | |
|----|-------|
| IN | INDIA |
|----|-------|

Diagram / Parts List

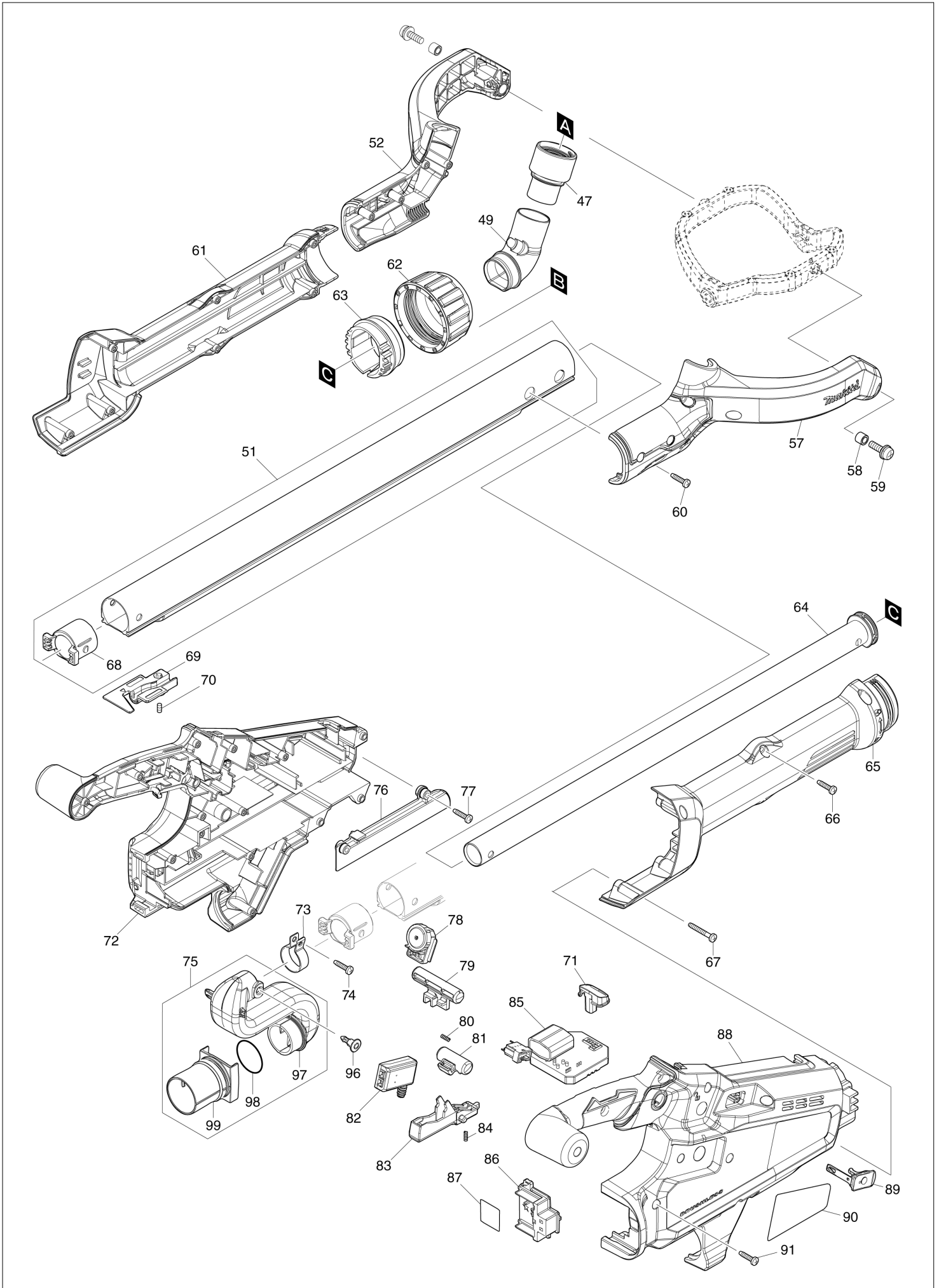
DSL801

225MM CORDLESS DRYWALL SANDER

(IN) DSL801 / 225MM CORDLESS DRYWALL SANDER



(IN) DSL801 / 225MM CORDLESS DRYWALL SANDER



| | |
|-----------|--------------|
| IN | INDIA |
|-----------|--------------|

DSL801 / 225MM CORDLESS DRYWALL SANDER

| Item | Sub | Parts No. | Parts Description | Qty | I/C | E/C No. | Close No. | Remark |
|------|-----|-----------|------------------------------|-----|-----|---------|-----------|--------|
| 001 | | 245058-4 | HOSE 28-0.25 | 1 | | | | |
| 002 | | 459217-6 | HEAD COVER | 1 | | | | |
| 003 | | 422446-4 | RUBBER CAP | 2 | | | | |
| 004 | | 699129-3 | POWER SUPPLY CORD UNIT | 1 | | | | |
| 005 | | 183L77-3 | MOTOR HOUSING SET | 1 | | | | |
| | D10 | | INC. 17 | | | | | |
| 006 | | 687261-5 | STRAIN RELIEF | 1 | | | | |
| 007 | | 265995-6 | TAPPING SCREW 4X18 | 1 | | | | |
| 008 | | 266490-9 | TAPPING SCREW PT 2X6 | 3 | | | | |
| 009 | | 620B02-8 | CONTROLLER B | 1 | | | | |
| 010 | | 652069-6 | FLAT HEAD SCREW M3X6 | 3 | | | | |
| 011 | | 629409-3 | STATOR | 1 | | | | |
| 012 | | 519567-2 | ROTOR ASSY | 1 | | | | |
| | D10 | | INC. 13-15 | | | | | |
| 013 | | 210039-7 | BALL BEARING 695DDW | 1 | | | | |
| 014 | | 210023-2 | BALL BEARING 627DDW | 1 | | | | |
| 015 | | 226888-2 | SPUR GEAR 19 | 1 | | | | |
| 016 | | 265995-6 | TAPPING SCREW 4X18 | 4 | | | | |
| 017 | | 183L77-3 | MOTOR HOUSING SET | 1 | | | | |
| | D10 | | INC. 5 | | | | | |
| 018 | | 266429-2 | TAPPING SCREW 3X16 | 6 | | | | |
| 019 | | 253437-2 | FLAT WASHER 23 | 1 | | | | |
| 020 | | 226886-6 | SPUR GEAR 14 | 3 | | | | |
| 021 | | 212131-5 | NEEDLE CAGE 307 | 3 | | | | |
| 022 | | 140J82-1 | SPUR GEAR 17 COMPLETE | 1 | | | | |
| 023 | | 226890-5 | INTERNAL GEAR 47 | 1 | | | | |
| 024 | | 226885-8 | SPUR GEAR 13 | 5 | | | | |
| 025 | | 140J81-3 | CARRIER COMPLETE | 1 | | | | |
| 026 | | 226889-0 | INTERNAL GEAR 43 | 1 | | | | |
| 027 | | 267789-5 | FLAT WASHER 18 | 1 | | | | |
| 028 | | 213606-7 | O RING 48 | 1 | | | | |
| 029 | | 413828-1 | GEAR HOUSING | 1 | | | | |
| 030 | | 961052-5 | RETAINING RING S-12 | 1 | | | | |
| 031 | | 211150-8 | BALL BEARING 6901ZZ | 1 | | | | |
| 032 | | 253746-9 | FLAT WASHER 12 | 1 | | | | |
| 033 | | 210105-0 | BALL BEARING 6001LLU | 1 | | | | |
| 034 | | 327318-7 | SPINDLE | 1 | | | | |
| 035 | | 319823-8 | BEARING RETAINER 47 | 1 | | | | |
| 036 | | 265995-6 | TAPPING SCREW 4X18 | 2 | | | | |
| 037 | | 413488-9 | COVER | 1 | | | | |
| | C10 | 931102-0 | HEX. NUT M4 | 6 | | | | |
| 040 | | 413489-7 | BRUSH STOPPER | 1 | | | | |
| 041 | | 911123-8 | PAN HEAD SCREW M4X14 | 6 | | | | |
| 042 | | 422729-2 | RUBBER GUARD | 1 | | | | |
| 043 | | 743127-0 | BRUSH | 1 | | | | |
| 044 | | 232510-1 | LEAF SPRING | 4 | | | | |
| 045 | | 199939-3 | PAD 210 SET | 1 | | | | |
| | D10 | | INC. 46 | | | | | |
| 046 | | 922323-5 | HEX.SOCKET HEAD BOLT M6X16 | 1 | | | | |
| 047 | | 413490-2 | HOSE CONNECTOR | 1 | | | | |
| 049 | | 422617-3 | JOINT | 1 | | | | |
| 051 | | 140N60-5 | PIPE A COMPLETE | 1 | | | | |
| | D10 | | INC. 68 | | | | | |
| 052 | | 183T15-3 | ARM SET | 1 | | | | |
| | D10 | | INC. 57 | | | | | |
| 053 | | 911113-1 | PAN HEAD SCREW M4X10 WITH WR | 2 | | | | |
| 054 | | 232534-7 | LEAF SPRING | 2 | | | | |
| 055 | | 265A35-6 | HEX. BOLT M8X17 | 1 | | | | |
| 056 | | 319808-4 | FRAME | 1 | | | | |
| 057 | | 183T15-3 | ARM SET | 1 | | | | |
| | D10 | | INC. 52 | | | | | |
| 058 | | 262561-0 | SLEEVE 6 | 2 | | | | |
| 059 | | 911334-5 | PAN HEAD SCREW M6X20 | 2 | | | | |
| 060 | | 265995-6 | TAPPING SCREW 4X18 | 4 | | | | |
| 061 | | 183L78-1 | PIPE HOUSING SET | 1 | | | | |

B:DSL801ZU(N)

Interchange
 O : Yes
 X : No
 < : the new part can be substituted for the current.
 > : the current part can be substituted for the new.
 S : Interchangeable as a set.

| | |
|-----------|--------------|
| IN | INDIA |
|-----------|--------------|

DSL801 / 225MM CORDLESS DRYWALL SANDER

| Item | Sub | Parts No. | Parts Description | Qty | I/C | E/C No. | Close No. | Remark |
|--------|-----|-----------|-----------------------------|-----|-----|---------|-----------|--------|
| | D10 | | INC. 65 | | | | | |
| 062 | | 459226-5 | LOCK RING | 1 | | | | |
| 063 | | 140J84-7 | LOCK SLEEVE COMPLETE | 1 | | | | |
| 064 | | 140L61-1 | PIPE B COMPLETE | 1 | | | | |
| | C10 | 459225-7 | PIPE STOPPER B | 1 | | | | |
| 065 | | 183L78-1 | PIPE HOUSING SET | 1 | | | | |
| | D10 | | INC. 61 | | | | | |
| 066 | | 265995-6 | TAPPING SCREW 4X18 | 4 | | | | |
| 067 | | 266050-7 | TAPPING SCREW 4X30 | 3 | | | | |
| 068 | | 459224-9 | PIPE STOPPER A | 1 | | | | |
| 069 | | 459228-1 | CORD HOLDER | 1 | | | | |
| 070 | | 913106-4 | SET SCREW M4X8 | 1 | | | | |
| 071 | | 140J83-9 | INDICATOR PANEL COMPLETE | 1 | | | | |
| 072 | | 183L75-7 | HANDLE SET | 1 | | | | |
| | C10 | 263005-3 | RUBBER PIN 6 | 2 | | | | |
| | D10 | | INC. 88 | | | | | |
| 073 | | 346248-3 | CLAMP 24 | 1 | | | | |
| 074 | | 265995-6 | TAPPING SCREW 4X18 | 1 | | | | |
| 075 | | 127672-7 | DUST NOZZLE ASSY | 1 | | | | |
| | D10 | | INC. 97-99 | | | | Y08601 | |
| 076 | | 459229-9 | CORD COVER | 1 | | | | |
| 077 | | 265995-6 | TAPPING SCREW 4X18 | 2 | | | | |
| 078 | | 620796-3 | DIAL CIRCUIT | 1 | | | | |
| 079 | | 459230-4 | LOCK OFF BUTTON | 1 | | | | |
| 080 | | 231433-0 | COMPRESSION SPRING 4 | 1 | | | | |
| 081 | | 419705-5 | LOCK ON BUTTON | 1 | | | | |
| 082 | | 651083-9 | SWITCH C3XA-1PSPM | 1 | | | | |
| 083 | | 459231-2 | SWITCH LEVER | 1 | | | | |
| 084 | | 231433-0 | COMPRESSION SPRING 4 | 1 | | | | |
| 085 | | 620B00-2 | CONTROLLER | 1 | | | | |
| 086 | | 644809-6 | TERMINAL | 1 | | | | |
| 087 | | 811L28-3 | DSL801 SERIAL NO. LABEL | 1 | | | | |
| 088 | | 183L75-7 | HANDLE SET | 1 | | | | |
| | C10 | 263005-3 | RUBBER PIN 6 | 2 | | | | |
| | D10 | | INC. 72 | | | | | |
| 089 | | 140F99-0 | CAP COMPLETE | 1 | | | | |
| | C10 | 213218-6 | O RING 16 | 1 | | | | |
| | C20 | 818H07-8 | CAP LABEL | 1 | | | | |
| 090 | | 811L21-7 | DSL801 NAME PLATE | 1 | | | | |
| 091 | | 265995-6 | TAPPING SCREW 4X18 | 10 | | | | |
| 092 | | 265995-6 | TAPPING SCREW 4X18 | 4 | | | | |
| 093 | | 265A68-1 | HEX. BOLT M8X22 | 1 | | | | |
| 094 | | 266429-2 | TAPPING SCREW 3X16 | 4 | | | | |
| 095 | | 347816-5 | EARTH PLATE A | 1 | | | | |
| 096 | | 412987-8 | RIVET 7 | 1 | | | | |
| 097 | | 412812-3 | DUST NOZZLE A | 1 | | | Y08601 | |
| 098 | | 213459-4 | O RING 32 | 1 | | | Y08601 | |
| 099 | | 412813-1 | DUST NOZZLE B | 1 | | | Y08601 | |
| A01 | | B-68404 | ABRASIVE PAPER DISC 225-120 | 1 | | | | |
| A02 | | 783217-7 | HEX. WRENCH 5 | 1 | | | | |
| A03 | | 195638-5 | TOOL BAG SET | 1 | | | | |
| A04 | | 835B53-0 | INNER TRAY | 1 | | | | |
| A05B | | 199393-1 | WIRELESS UNIT SET | 1 | | | D4357 | |
| A05-1B | | 199393-1 | WIRELESS UNIT SET | 1 | < | D4357 | | |
| | | | | | | | | |
| | | | | | | | | |
| | | | | | | | | |
| | | | | | | | | |
| | | | | | | | | |
| | | | | | | | | |
| | | | | | | | | |
| | | | | | | | | |
| | | | | | | | | |

| | |
|---------------|---|
| B:DSL801ZU(N) | Interchange O : Yes X : No < : the new part can be substituted for the current. > : the current part can be substituted for the new. S : Interchangeable as a set. |
|---------------|---|