



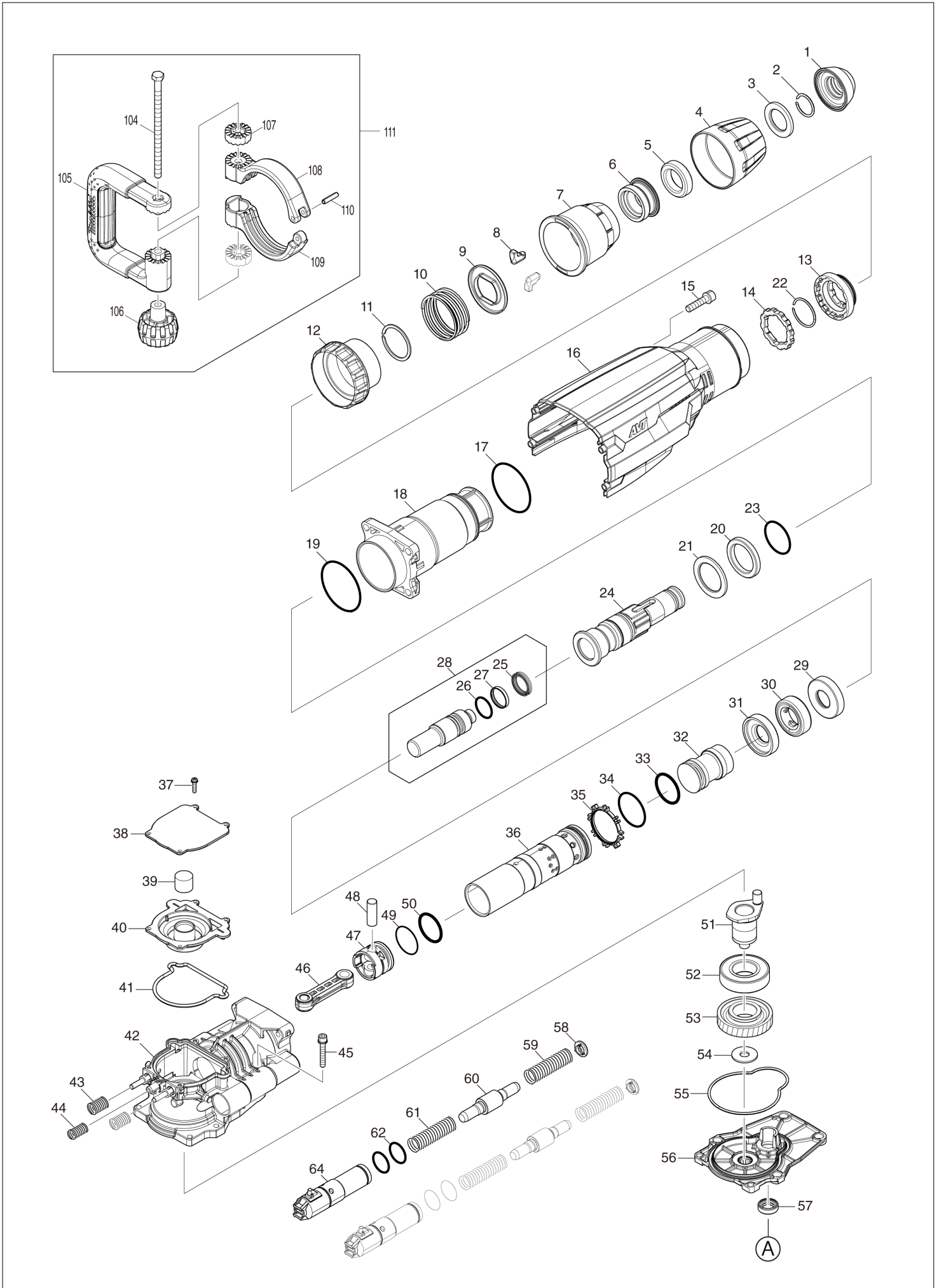
IN	INDIA
----	-------

Diagram / Parts List

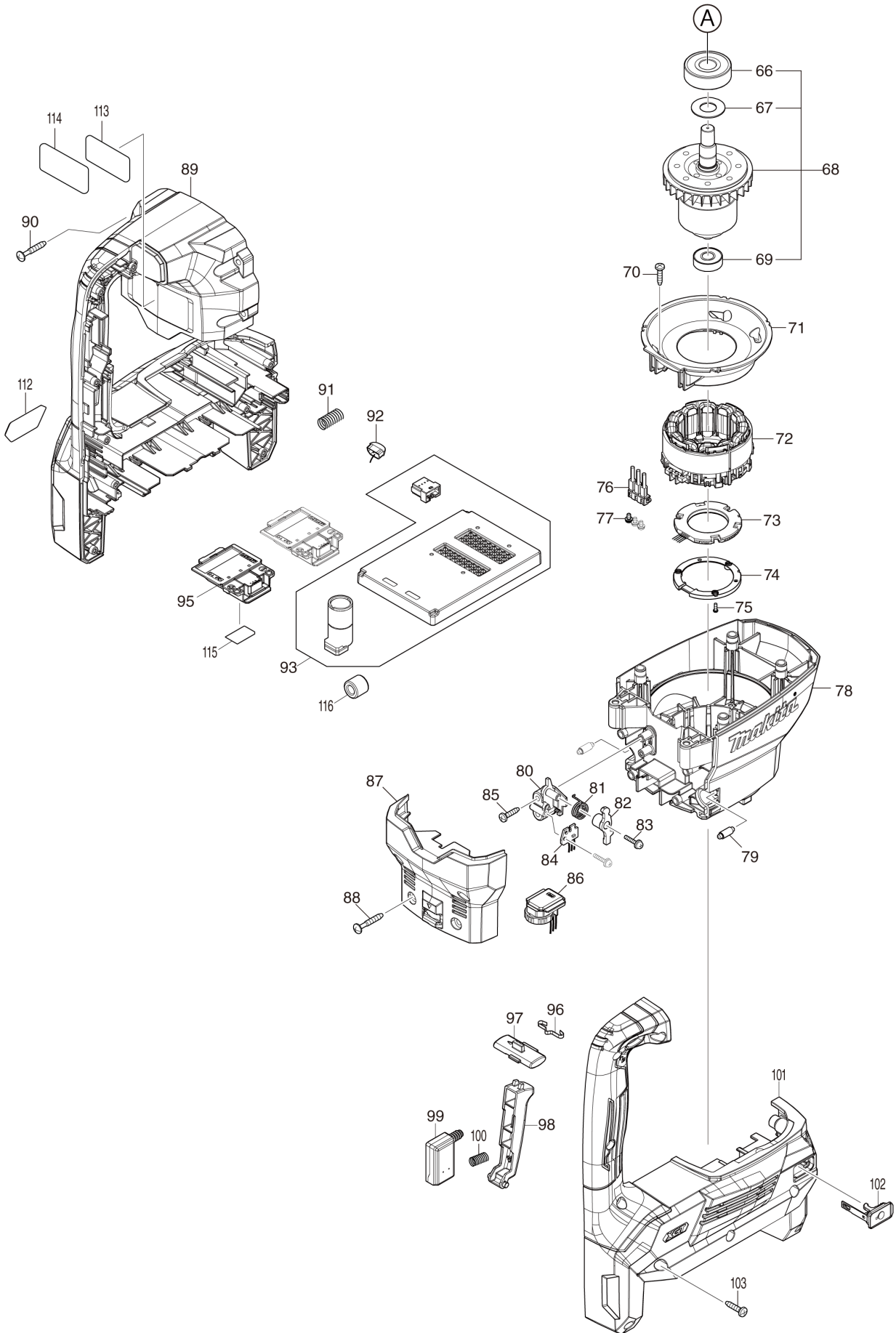
HM002G

CORDLESS DEMOLITION HAMMER

(IN) HM002G / CORDLESS DEMOLITION HAMMER



(IN) HM002G / CORDLESS DEMOLITION HAMMER



HM002G / CORDLESS DEMOLITION HAMMER

Item	Sub	Parts No.	Parts Description	Qty	I/C	E/C No.	Close No.	Remark
001		424165-8	TOOL HOLDER CAP	1				
002		233973-4	RING SPRING 26	1				
003		267386-7	FLAT WASHER 30	1				
004		450894-7	CHUCK COVER	1				
005		262147-0	RUBBER RING 30	1				
006		324987-5	CHUCK RING	1				
007		450895-5	RELEASE COVER	1				
008		310279-8	TOOL RETAINER	2				
009		346015-6	SPRING GUIDE	1				
010		234086-4	COMPRESSION SPRING 56	1				
011		961232-3	RETAINING RING WR-45	1				
012		450893-9	CHANGE RING COVER	1				
013		324969-7	CHANGE RING	1				
014		324988-3	LOCK RING	1				
015		922456-6	HEX. SOCKET HEAD BOLT M8X35	4				
016		413268-3	HOUSING COVER	1				
017		213664-3	O RING 60	1				
018		140Y02-5	BARREL COMPLETE	1				
019		213720-9	O RING 67	1				
020		262148-8	RUBBER RING 39	1				
021		267387-5	FLAT WASHER 39	1				
022		233970-0	RING SPRING 35	1				
023		213079-4	O-RING 35.5	1				
024		324985-9	TOOL HOLDER	1				
025		213980-3	X-RING 21	1				
026		213394-6	O RING 23	1				
027		213431-6	FLUORIDE RING 28	1				
028		136391-4	IMPACT BOLT ASSY	1				
	D10		INC. 25-27					
029		324993-0	SHOULDER SLEEVE	1				
030		262149-6	RUBBER RING 24	1				
031		324993-0	SHOULDER SLEEVE	1				
032		327739-3	STRIKER	1				
033		213499-2	O-RING 31.5	1				
034		213581-7	O-RING 44	1				
035		450889-0	ONE WAY VALVE GUIDE	1				
036		327741-6	CYLINDER 40	1				
037		911133-5	PAN HEAD SCREW M4X18	4				
038		413273-0	CRANK CAP COVER	1				
039		443127-7	FILTER	1				
040		413272-2	CRANK CAP	1				
041		422658-9	SEAL RING A	1				
042		140Y06-7	CRANK HOUSING COMPLETE	1				
043		232662-8	COMPRESSION SPRING 12	2				
044		232664-4	COMPRESSION SPRING 10	1				
045		922363-3	H.S.H.BOLT M6X40 WITH WR	6				
046		413277-2	CONNECTING ROD	1				
047		450961-8	PISTON	1				
048		268121-6	PIN 12	1				
049		213149-9	O RING 35	1				
050		213499-2	O-RING 31.5	1				
051		327740-8	CRANK SHAFT	1				
052		210254-3	BALL BEARING 6206LLB	1				
053		226691-1	HELICAL GEAR 57	1				
054		267398-0	FLAT WASHER 12	1				
055		422659-7	SEAL RING B	1				
056		140Y03-3	GEAR HOUSING COMPLETE	1				
057		213231-4	OIL SEAL 15	1				
058		413275-6	SPRING PLATE	2				
059		232691-1	COMPRESSION SPRING 15	2				
060		324992-2	COUNTER WEIGHT	2				
061		232691-1	COMPRESSION SPRING 15	2				
062		213953-6	O RING 24	4				
064		140Y04-1	HOLDER COMPLETE	2				
066		210253-5	BALL BEARING 6302DDW	1				

Interchange
O : Yes
X : No
< : the new part can be substituted for the current.
> : the current part can be substituted for the new.
S : Interchangeable as a set.

IN

INDIA

HM002G / CORDLESS DEMOLITION HAMMER

Item	Sub	Parts No.	Parts Description	Qty	I/C	E/C No.	Close No.	Remark
067		267397-2	FLAT WASHER 15	1				
068		519651-3	ROTOR ASS'Y	1				
	D10		INC. 66,67,69					
069		210059-1	BALL BEARING 6000DDW	1				
070		265995-6	TAPPING SCREW 4X18	4				
071		413271-4	BAFFLE PLATE	1				
072		629A27-3	STATOR	1				
073		620E26-2	CONTROLLER B	1				
074		687B69-9	STOPPER	1				
075		266490-9	TAPPING SCREW PT 2X6	3				
076		632R89-4	LEAD UNIT	1				
077		652031-1	PAN HEAD SCREW M3X6	3				
078		413266-7	MOTOR HOUSING	1				
079		256380-4	SHOULDER PIN 4-6	2				
080		412985-2	BASE	1				
081		232643-2	TORSION SPRING 13	1				
082		140W48-9	LEVER COMPLETE	1				
083		263046-9	TAPPING SCREW 3X14	2				
084		620E28-8	SENSOR CIRCUIT	1				
085		265995-6	TAPPING SCREW 4X18	2				
086		620E29-6	DIAL CIRCUIT	1				
087		140Y05-9	MOTOR HOUSING COVER COMPLETE	1				
	C10	422660-2	RUBBER SHEET	1				
088		266041-8	TAPPING SCREW 5X25	4				
089		183T10-3	HOUSING SET	1				
	C10	263005-3	RUBBER PIN 6	8				
	C20	347755-9	GUARD RAIL	2				
	C30	422646-6	CAP 10	2				
	C40	347782-6	PLATE	4				
	D10		INC. 101					
090		266041-8	TAPPING SCREW 5X25	4				
091		232663-6	COMPRESSION SPRING 8	1				
092		620E27-0	LED CIRCUIT	1				
093		620E31-9	CONTROLLER	1				
095		632R98-3	TERMINAL UNIT	2				
096		232152-1	LEAF SPRING	1				
097		412981-0	TRIGGER LOCK	1				
098		458097-7	SWITCH LEVER	1				
099		651083-9	SWITCH C3XA-1PSPM	1				
100		232418-9	COMPRESSION SPRING 5	1				
101		183T10-3	HOUSING SET	1				
	C10	263005-3	RUBBER PIN 6	8				
	C20	347755-9	GUARD RAIL	2				
	C30	422646-6	CAP 10	2				
	C40	347782-6	PLATE	4				
	D10		INC. 89					
102		140F99-0	CAP COMPLETE	1				
	C10	213218-6	O RING 16	1				
	C20	818H07-8	CAP LABEL	1				
103		265995-6	TAPPING SCREW 4X18	10				
104		265439-6	HEX. BOLT M8X150	1				
105		417003-1	SIDE HANDLE	1				
106		252640-2	WING NUT M8	1				
107		417002-3	SIDE HANDLE CAM	2				
108		318505-9	SIDE HANDLE BASE 82A	1				
109		318506-7	SIDE HANDLE BASE 82B	1				
110		951166-8	SPRING PIN 5-24	1				
111		135269-8	SIDE HANDLE 82 ASS'Y	1				
	D10		INC. 104-110					
112		8029M5-9	XGT LOGO LABEL	1				
113		8029M4-1	CLEAR LABEL	1				
114		858E35-3	HM002G NAME PLATE	1				
115		858E41-8	HM002G SERIAL NO. LABEL	1				
A01		A-80787	BULL POINT 280 SDS-MAX	1				
A02		194683-7	GREASE VESSEL SET	1				

Interchange

O : Yes

X : No

< : the new part can be substituted for the current.

> : the current part can be substituted for the new.

S : Interchangeable as a set.

