

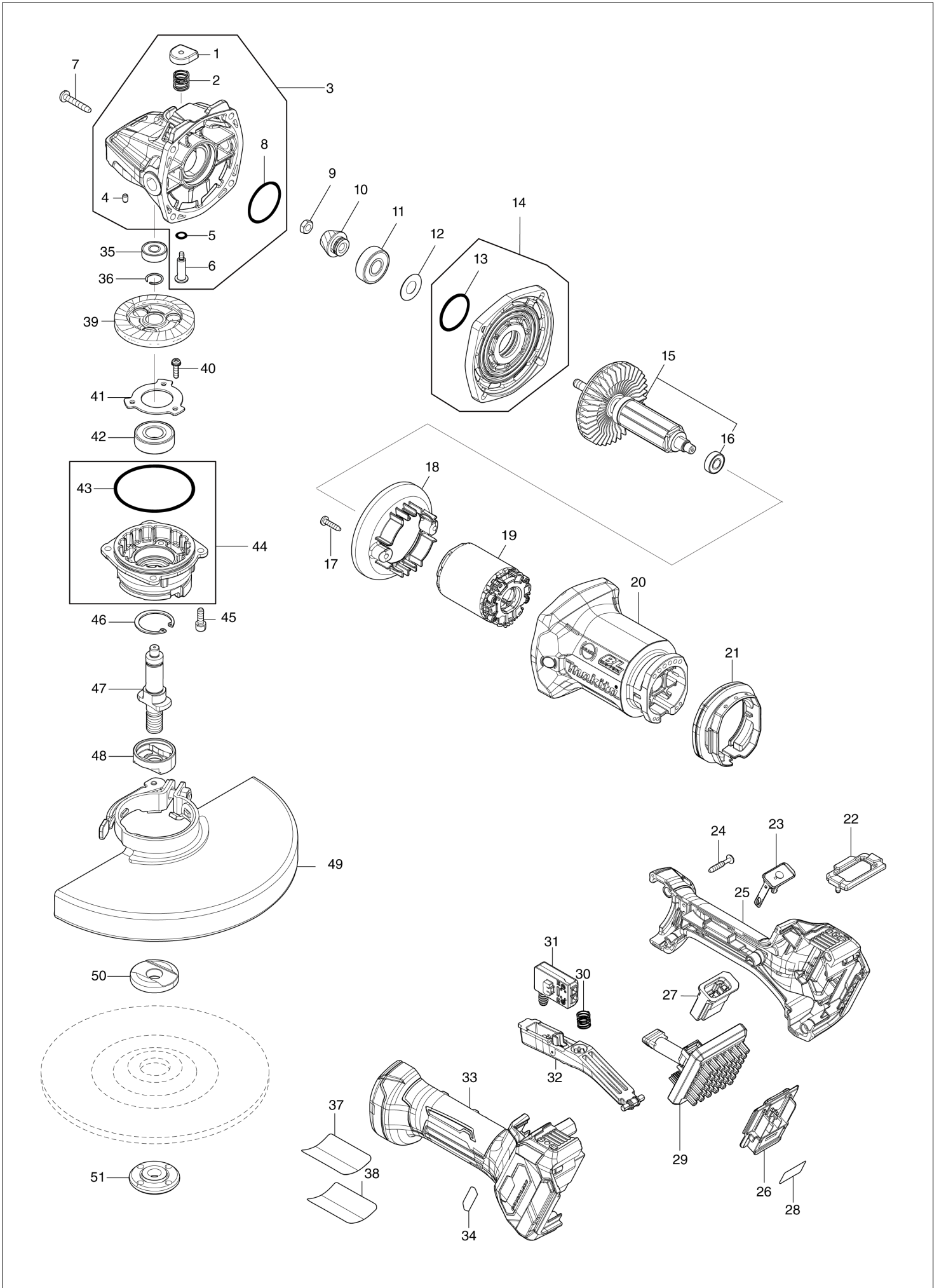


Diagram / Parts List

GA038G

230MM CORDLESS ANGLE GRINDER

(IN) GA038G / 230MM CORDLESS ANGLE GRINDER



GA038G / 230MM CORDLESS ANGLE GRINDER

Item	Sub	Parts No.	Parts Description	Qty	I/C	E/C No.	Close No.	Remark
001		413219-6	PIN CAP	1				
002		233292-8	COMPRESSION SPRING 12	1				
003		136365-5	GEAR HOUSING ASS'Y	1				
	D10		INC. 1,2,4-6,8					
004		263002-9	RUBBER PIN 4	1				
005		213026-5	O RING 7	1				
006		256516-5	SHOULDER PIN 11	1				
007		266173-1	TAPPING SCREW 5X30	4				
008		213510-0	O RING 36	1				
009		264010-3	HEX.NUT M7	1				
010		227564-1	SPIRAL BEVEL GEAR 10A	1				
011		211137-0	BALL BEARING 6201LLU	1				
012		253759-0	FLAT WASHER 12	1				
013		213459-4	O RING 32	1				
014		136363-9	GEAR HOUSING COVER ASS'Y	1				
	D10		INC. 13					
015		519436-7	ROTOR ASS'Y	1				
	D10		INC. 16					
016		211166-3	BALL BEARING 698DDW	1				
017		266326-2	TAPPING SCREW 4X18	2				
018		457618-2	BAFFLE PLATE	1				
019		629A38-8	STATOR	1				
020		457615-8	MOTOR HOUSING	1				
021		457619-0	VIBRATION PROOF RUBBER	1				
022		422656-3	DUST COVER	1				
023		140F99-0	CAP COMPLETE	1				
	C10	213218-6	O RING 16	1				
	C20	818H07-8	CAP LABEL	1				
024		265999-8	TAPPING SCREW 4X25	5				
025		183R97-3	HANDLE SET	1				
	C10	263005-3	RUBBER PIN 6	2				
	D10		INC. 33					
026		632P49-4	TERMINAL UNIT	1				
027		413218-8	CONNECTOR CASE	1				
028		858B02-0	GA038G SERIAL NO. LABEL	1				
029		620E22-0	CONTROLLER	1				
030		234357-9	COMPRESSION SPRING 11	1				
031		651083-9	SWITCH C3XA-1PSPM	1				
032		140X49-3	SWITCH LEVER COMPLETE	1				
033		183R97-3	HANDLE SET	1				
	C10	263005-3	RUBBER PIN 6	2				
	D10		INC. 25					
034		8012U4-2	XGT LOGO LABEL	1				
035		211032-4	BALL BEARING 608ZZ	1				
036		233925-5	RING SPRING 13	1				
037		858A96-9	GA038G NAME PLATE	1				
038		8026G1-7	CLEAR LABEL	1				
039		227562-5	SPIRAL BEVEL GEAR 38	1				
040		911128-8	P.H.SCREW M4X16 WITH WR	3				
041		285851-4	BEARING RETAINER	1				
042		211228-7	BALL BEARING 6202DDW	1				
043		213720-9	O RING 67	1				
044		136364-7	BEARING BOX ASS'Y	1				
	D10		INC. 43					
045		922221-3	HEX. SOCKET HEAD BOLT M5X16	4				
046		962151-6	RETAINING RING R-32	1				
047		326963-5	SPINDLE	1				
048		310800-3	LEAD FLANGE	1				
049		127714-7	TOOLLESS WHEEL COVER 230F ASSY	1				
050		224447-6	INNER FLANGE 42B	1				
051		224485-8	LOCK NUT 14-45	1				
A01		143486-6	GRIP 37 COMPLETE	1				
A02		782034-2	LOCK NUT WRENCH 35	1				
A03B		8027X4-6	GA038GT201 MODEL NO. LABEL	1				
A04B		412393-7	BATTERY COVER	2				

B:GA038GT201(H)

Interchange

O : Yes

X : No

< : the new part can be substituted for the current.

> : the current part can be substituted for the new.

S : Interchangeable as a set.

