

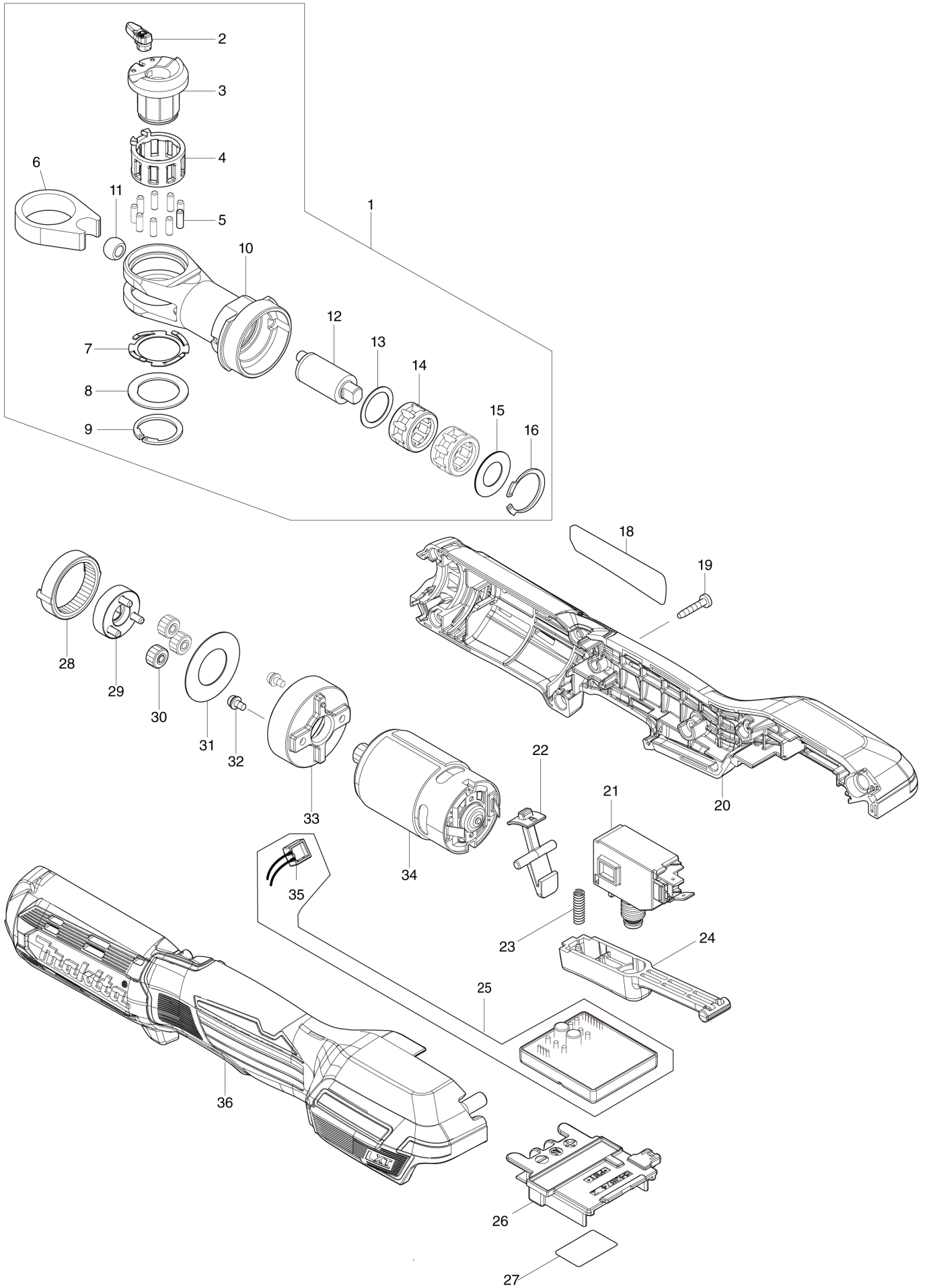


Diagram / Parts List

DWR180

CORDLESS RATCHET WRENCH

(IN) DWR180 / CORDLESS RATCHET WRENCH



DWR180 / CORDLESS RATCHET WRENCH

Item	Sub	Parts No.	Parts Description	Qty	I/C	E/C No.	Close No.	Remark
001		127297-7	HEAD ASSEMBLY	1			Y08413	
	D10		INC. 2-16				Y08413	
001-1		127297-7	HEAD ASSEMBLY	1	O	Y08413		
002		140K70-4	LEVER COMPLETE	1			Y08413	
003		327360-8	ANVIL	1			Y08413	
004		310954-6	RETAINER RING	1			Y08413	
005		256963-0	PIN 3	9			Y08413	
006		327357-7	RATCHET RING	1			Y08413	
007		232531-3	LEAF SPRING	1			Y08413	
008		253440-3	FLAT WASHER 19	1			Y08413	
009		961078-7	RETAINING RING (EXT) S-18	1			Y08413	
010		327356-9	RATCHET HEAD	1			Y08413	
011		327359-3	BUSH	1			Y08413	
012		327358-5	SPINDLE	1			Y08413	
013		253450-0	FLAT WASHER 15	1			Y08413	
014		212228-0	NEEDLE CAGE 1412	2			Y08413	
015		253449-5	FLAT WASHER 12	1			Y08413	
016		962112-6	RETAINING RING R-22	1			Y08413	
018		857Y46-5	DWR180 NAME PLATE	1				
019		266429-2	TAPPING SCREW 3X16	7				
020		183R89-2	HOUSING SET	1				
	C10	263005-3	RUBBER PIN 6	2				
	D10		INC. 36					
021		651391-8	SWITCH C3JW-6BM-PN	1				
022		459422-5	LOCK LEVER	1				
023		232353-1	COMPRESSION SPRING 4	1				
024		459421-7	SWITCH LEVER	1				
025		620E21-2	CONTROLLER	1				
	D10		INC. 35					
026		643874-2	TERMINAL	1				
027		857Y53-8	DWR180 SERIAL NO. LABEL	1				
028		226897-1	INTERNAL GEAR 41	1				
029		140K71-2	CARRIER COMPLETE	1				
030		226898-9	SPUR GEAR 14	3				
031		267235-8	FLAT WASHER 18	1				
032		265A38-0	P.H.SCREW M3X6 WITH WR	2				
033		310953-8	INTERNAL GEAR CASE	1				
034		629A32-0	DC MOTOR	1				
035		620B10-9	LED CIRCUIT	1				
036		183R89-2	HOUSING SET	1				
	C10	263005-3	RUBBER PIN 6	2				
	D10		INC. 20					
A01		191A50-3	SOCKET ADAPTOR 9.5 SET	1				
	C10	231952-6	RING SPRING 12	1				
A02		191A51-1	SOCKET ADAPTOR 6.35 SET	1				
	C10	231952-6	RING SPRING 12	1				
A03B		***DC18RC	DC18RC FAST CHARGER	1				
	D10		COMPO-PARTS					
A04B		450128-8	BATTERY COVER	1				
A05B		197605-6	BATTERY BL1830B SET	1				
A06B		832074-1	TOOL BAG	1				
B:DWR180RF(H)							Interchange O : Yes X : No < : the new part can be substituted for the current. > : the current part can be substituted for the new. S : Interchangeable as a set.	